

# Customer Information Sheet

DRAWING No.: M83-LFCIFBN19-0101-325

SHEET 2 OF 2

IF IN DOUBT - ASK

©

NOT TO SCALE

THIRD ANGLE PROJECTION

ALL DIMENSIONS IN mm

## OBSOLETE

### SPECIFICATIONS:

**MATERIAL:**  
 MOULDING = GLASS-FILLED PPS, UL94V-0, BLACK  
 JACKSCREW = STAINLESS STEEL  
 SIGNAL CONTACT:  
 CLIP = BERYLLIUM COPPER  
 SHELL = COPPER ALLOY  
 JACKSCREW COLLAR = NICKEL COATED BRASS  
 POWER CONTACT:  
 BODY = COPPER ALLOY  
 LATCHING COLLAR = BERYLLIUM COPPER

**FINISH:**  
 SIGNAL CONTACT:  
 CLIP = 0.3µ GOLD  
 SHELL = 0.25-0.3µ GOLD  
 POWER CONTACT:  
 BODY = GOLD  
 LATCHING COLLAR = NICKEL

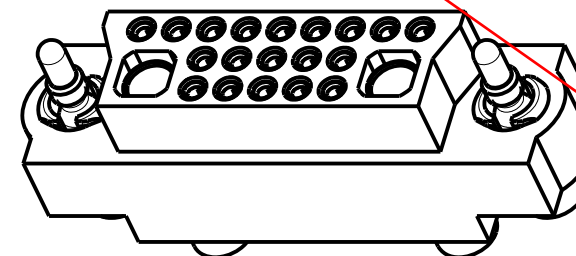
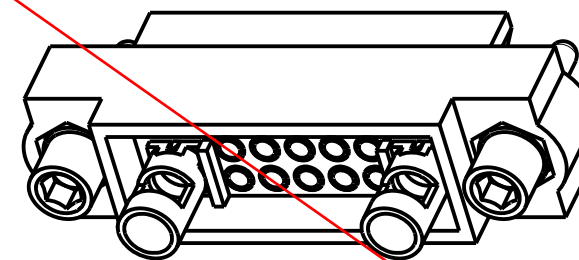
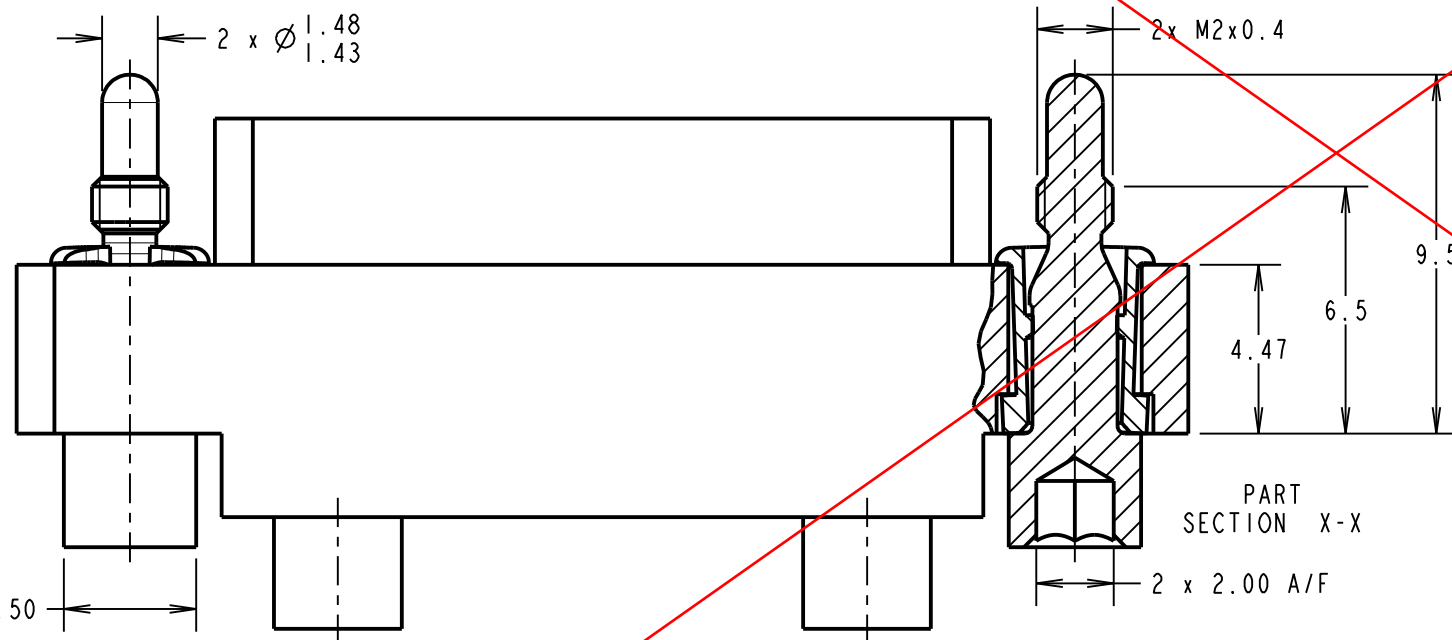
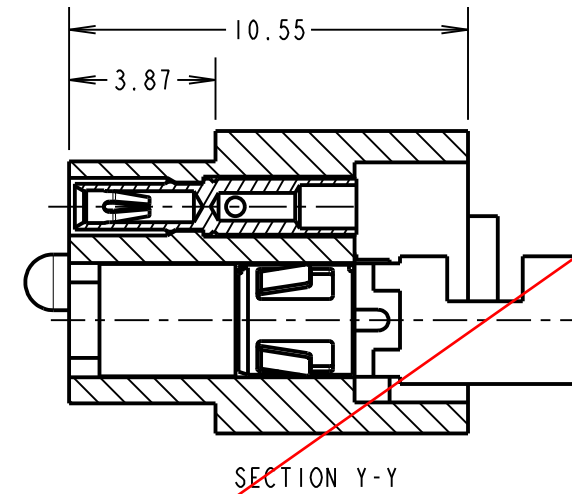
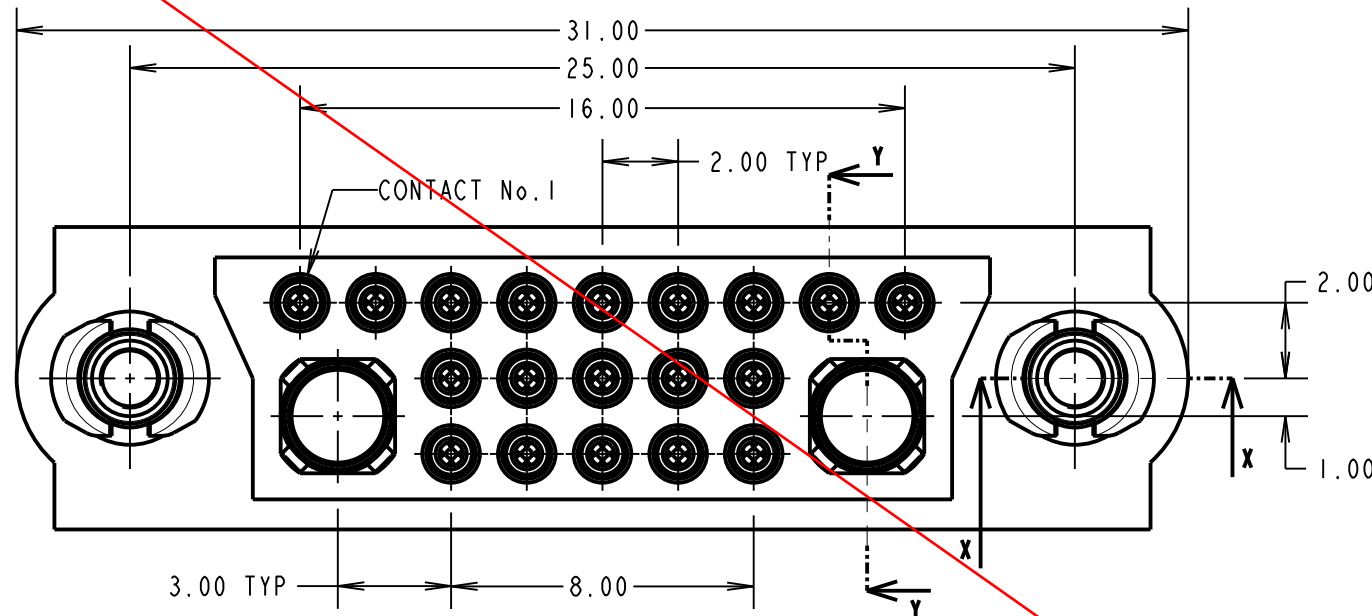
**ELECTRICAL:**  
 SIGNAL CONTACT:  
 CURRENT RATING AT 25°C = 3.0A MAX  
 CURRENT RATING AT 85°C = 2.2A MAX  
 CONTACT RESISTANCE = 25mΩ MAX  
 POWER CONTACT:  
 CURRENT RATING = 20A MAX  
 WITH 12 AWG WIRE  
 CONTACT RESISTANCE = 6mΩ MAX  
 VOLTAGE PROOF = 360V AC/DC  
 WORKING VOLTAGE = 120V AC/DC  
 INSULATION RESISTANCE = 100MΩ MIN

**MECHANICAL:**  
 DURABILITY = 500 OPERATIONS  
 SIGNAL CONTACT:  
 INSERTION FORCE = 1.0N MAX  
 WITHDRAWAL FORCE = 0.2N MIN  
 POWER CONTACT:  
 INSERTION FORCE = 5N MAX  
 WITHDRAWAL FORCE = 0.5N MIN

**ENVIRONMENTAL:**  
 TEMPERATURE RANGE = -55°C TO +125°C

**PACKING:**  
 BAG

FOR COMPLETE SPECIFICATION, SEE  
 COMPONENT SPECIFICATION C005XX  
 (LATEST ISSUE)



**NOTES:**

- CONNECTORS ARE SUPPLIED WITH CONTACTS LOOSE.
- FOR EXTRA SIGNAL CONTACTS, USE PART NUMBER M80-0130005.  
FOR EXTRA POWER CONTACTS, USE PART NUMBER M80-325
- RECOMMENDED SIGNAL WIRE TYPE = BS 3G 210 TYPE A, PTFE INSULATED 24-28 AWG, MAX INSULATION DIA = Ø1.10mm, STRIP WIRE BY 2.00mm.  
POWER CONTACT WIRE STRIP BY 5.00mm MINIMUM
- RECOMMENDED HAND CRIMP TOOL FOR SIGNAL CONTACT = M22520/2-01 WITH POSITIONER T5747. SEE TOOLING INSTRUCTION SHEET IS-01 FOR COMPLETE CRIMPING INSTRUCTIONS.
- CONTACT INSERTION AND EXTRACTION TOOL = Z80-280. SEE TOOLING INSTRUCTION SHEET IS-25 FOR ASSEMBLY INFORMATION.

SM	1	18.11.11	11513
NAME	ISS.	DATE	C/NOTE
APPROVED: S. MCCULLAGH			
CHECKED: R. ADDE			
DRAWN: MARK G PLESTED			
CUSTOMER REF.:			
ASSEMBLY DRG:			

## HARWIN

www.harwin.com  
 technical@harwin.com

THIS DRAWING AND ANY INFORMATION OR DESCRIPTIVE MATTER SET OUT HEREON ARE CONFIDENTIAL AND COPYRIGHT PROPERTY OF THE HARWIN GROUP AND MUST NOT BE DISCLOSED, LOANED, COPIED OR USED FOR MANUFACTURING, TENDERING OR FOR ANY OTHER PURPOSE WITHOUT THEIR WRITTEN PERMISSION.

**TOLERANCES**  
 X. = ±1mm  
 X.X = ±0.25mm  
 X.XX = ±0.10mm  
 X.XXX = ±0.01mm  
 ANGLES = ±5°  
 UNLESS STATED

**MATERIAL:**

SEE ABOVE

**FINISH:**

SEE ABOVE

**S/AREA:**

mm<sup>2</sup>

**TITLE:** JACKSCREW DATAMATE  
 3-ROW CRIMP/SOLDER FEMALE  
 ASSY WITH SPECIAL CONTACTS

**DRAWING NUMBER:**

**M83-LFCIFBN19-0101-325**

SHT  
 2 OF 2