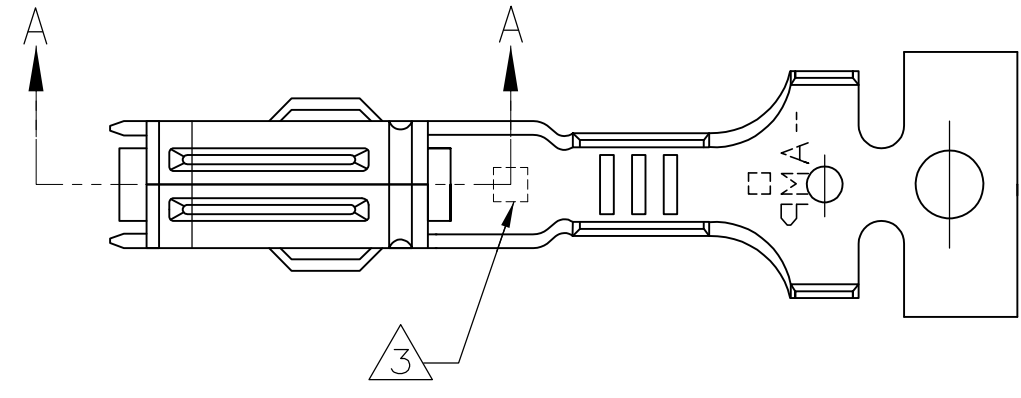
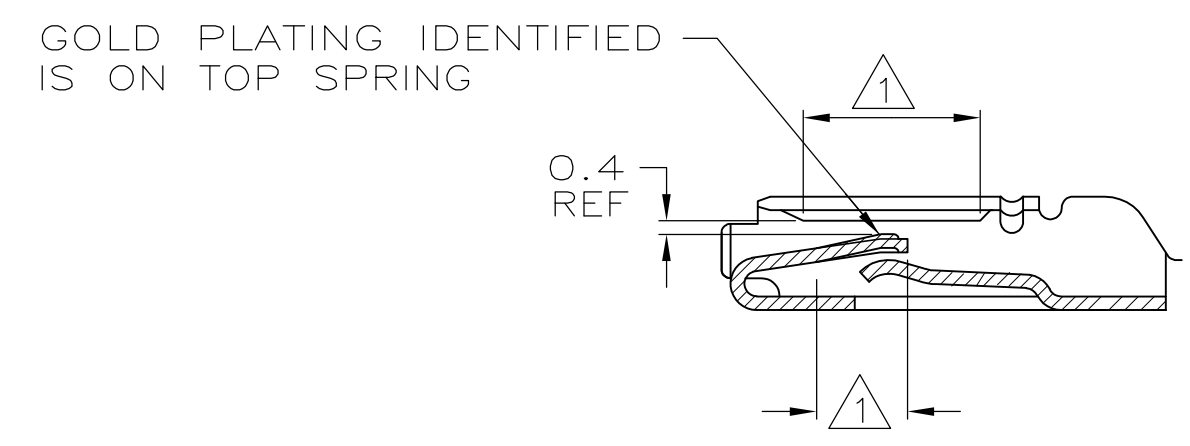
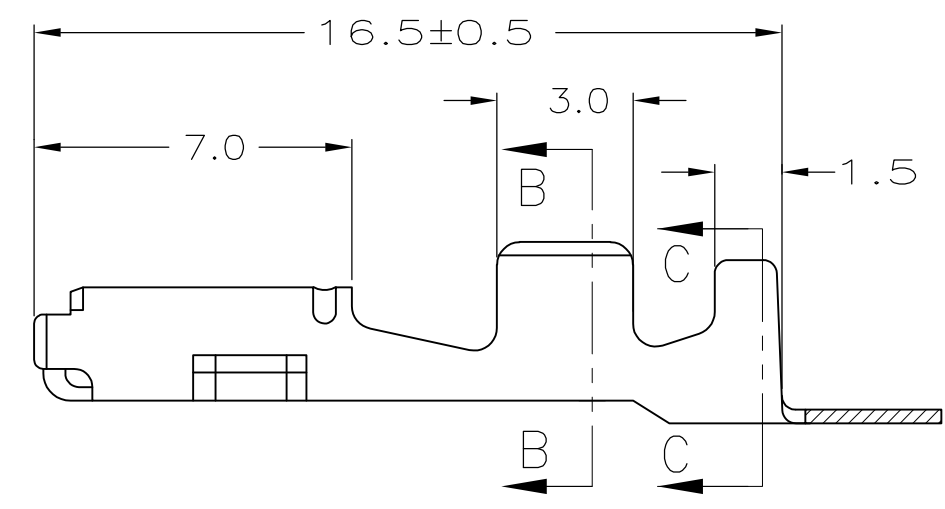
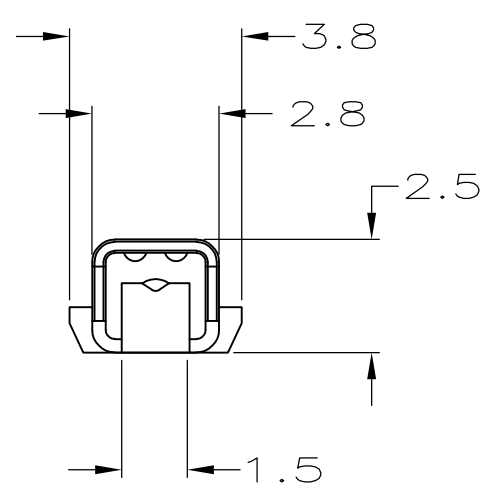


THIS DRAWING IS UNPUBLISHED. RELEASED FOR PUBLICATION
 © COPYRIGHT - By - ALL RIGHTS RESERVED.

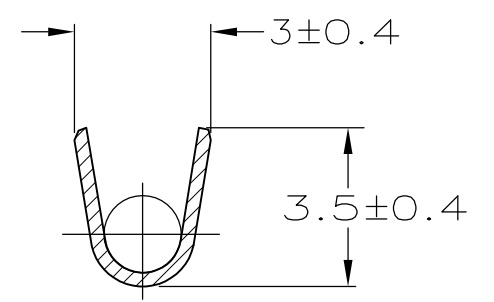
LOC		DIST		REVISIONS			
P	LTR	DESCRIPTION		DATE	DWN	APVD	
G	16	H2	REVISED PER ECO-11-005030		11MAR11	RK	HMR



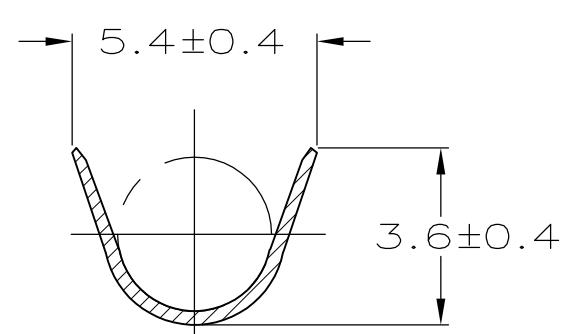
- NOTES:
- ① 0.00076 MIN. THK. GOLD PLATE OVER 0.0013 MIN. NICKEL PLATE.
 - ② 0.0008 MIN. THK. TIN PLATE ALL OVER.
 - ③ .75 x .75 DIE IDENTIFICATION MARK.



SECTION A-A



SECTION B-B



SECTION C-C

184030-3	AVS 0.5 - 2.0mm ² (#20 - #14 AWG)	1.2 - 2.7φ	②
184030-1	AVS 0.5 - 2.0mm ² (#20 - #14 AWG)	1.2 - 2.7φ	①
PART NUMBER	WIRE RANGE	INSULATION DIA.	FINISH

THIS DRAWING IS A CONTROLLED DOCUMENT.		DWN KD LYTLE 7/7/94	TE TE Connectivity		
DIMENSIONS: mm		CHK J KUNKLE 7/26/94			
TOLERANCES UNLESS OTHERWISE SPECIFIED:		APVD J KUNKLE 7/26/94	NAME CONTACT, RECEPTACLE, .070 TYPE		
0 PLC ± - 1 PLC ± 0.3 2 PLC ± 0.3 3 PLC ± - 4 PLC ± - ANGLES ± -		PRODUCT SPEC -	SIZE A2	CAGE CODE 00779	DRAWING NO. C=184030
MATERIAL PHOS. BR. (0.3 THK)		FINISH -	WEIGHT -	SCALE 6:1	SHEET 1 OF 1
CUSTOMER DRAWING			RESTRICTED TO -	REV H2	