

注記 NOTES

1. 使用材料 MATERIAL

ハウジング : 液晶ポリマー (LCP) UL94V-0 (黒)
HOUSING: LIQUID CRYSTAL POLYMER UL94V-0 (COLOR: BLACK)

ターミナル : 銅合金
TERMINAL : COPPER ALLOY

金具 : 銅合金
FITTING NAIL : COPPER ALLOY

2. メッキ仕様 PLATING

ターミナル TERMINAL

金メッキ
GOLD

下地メッキ : ニッケルメッキ
UNDER PLATING : NICKEL

※コンタクト部とテール部はニッケルメッキによって分断されている金メッキです。
DIVIDE INTO PARTS THE GOLD PLATING OF THE CONTACT AND THE TAIL PART BY THE NICKEL PLATING.

金具 FITTING NAIL

錫メッキ
Tin PLATING

下地メッキ : ニッケルメッキ
UNDER PLATING : NICKEL

△ (全極数 / 2) = 偶数の場合に適用。
APPLY FOR (CIRCUIT/2)=EVEN.

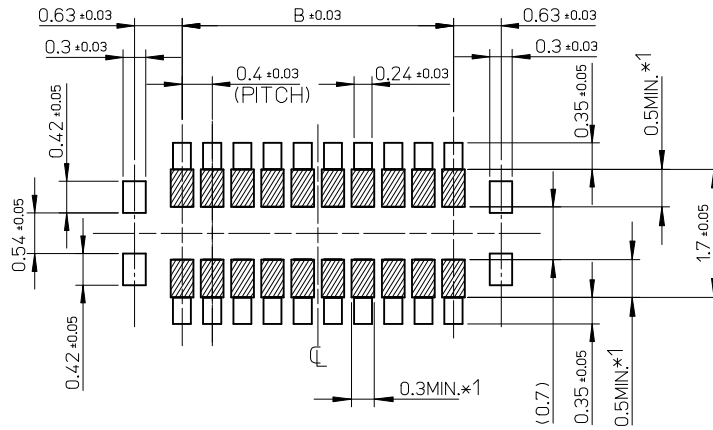
4. 嵌合相手 : 503772 シリーズ
MATE WITH : 503772 SERIES.

5. テール及び金具の平坦度は、0.08 以下
TAIL AND FITTING NAIL COPLANARITY TO BE 0.08 MAXIMUM.

6. ELV and RoHS COMPLIANT

9.6	11.47	503776-5070	50
7.6	9.47	503776-4070	40
6.4	8.27	503776-3470	34
5.6	7.47	503776-3070	30
B	A	EMBOSSED PACKAGE	
		オーダー番号 ORDER No.	極数 CIRCUITS
		CONNECTOR SERIES NO.: 503776-***79	

RELEASED EC NO: J2013-0521 DRWNYFUJIMAKI 2012/11/06 CHKD: TASAKAWA APPR: MSASAO 2012/11/13	GENERAL TOLERANCES (UNLESS SPECIFIED)		DIMENSION STYLE MM ONLY	SCALE 15:1	DESIGN UNITS METRIC	THIRD ANGLE PROJECTION
	10 UNDER	± 0.2	DRAWN BY YFUJIMAKI	DATE 2012/11/06	TITLE 0.4 BB CONN.HGT=0.8 W=2.5 PLUG CHECKER TYPE ASS'Y	
	10 OVER 30 UNDER	± 0.25	CHECKED BY TASAKAWA	DATE 2012/11/08		
	30 OVER	± 0.3	APPROVED BY MSASAO	DATE 2012/11/13		
	ANGULAR	± 1 °	MATERIAL NO. SEE TABLE		DOCUMENT NO. SD-503776-003	SHEET NO. 1 OF 2
DRAFT WHERE APPLICABLE MUST REMAIN WITHIN DIMENSIONS		THIS DRAWING CONTAINS INFORMATION THAT IS PROPRIETARY TO MOLEX INCORPORATED AND SHOULD NOT BE USED WITHOUT WRITTEN PERMISSION				

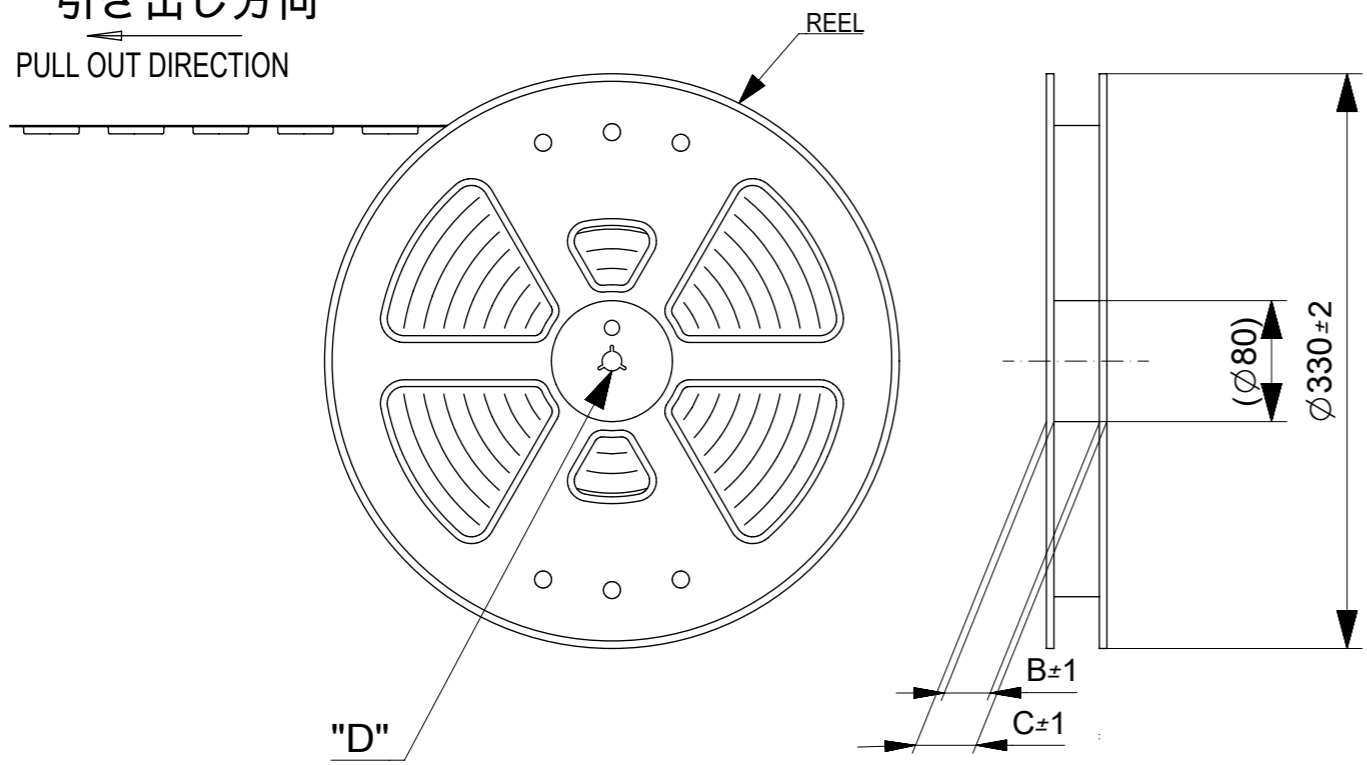


RECOMMENDED P.W. BOARD
PATTERN LAYOUT

- *1 パターン引き回し、および半田禁止エリア
(当該箇所においては、これと接する回路以外の配線を禁止する。
また、接する回路を配線する場合はレジストを施し、この部分に
半田は無きこととする。)
- *1 PROHIBITED AREA OF PATTERN WIRING AND SOLDER.
(FOR EACH AREA, THE WIRING THAT TOUCHES ON THE SOLDER
CAN BE ATTACHED, THEN COVERED WITH A FILM TO KEEP SOLDER OUT.)

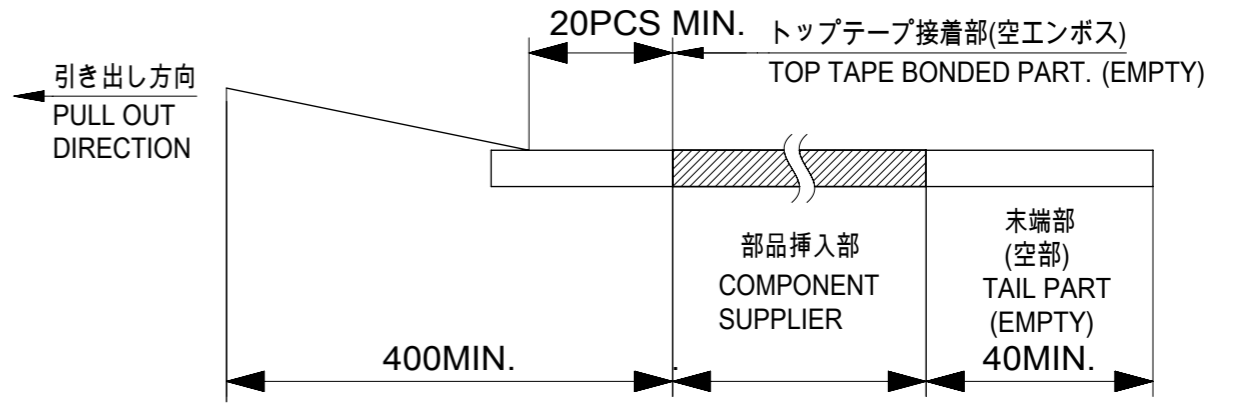
RELEASED EC NO: J2013-0521 DRWN: YFUJIMAKI 2012/11/06 CHKD: TASAKAWA APPR: MSASAO 2012/11/13	GENERAL TOLERANCES (UNLESS SPECIFIED)		DIMENSION STYLE MM ONLY		SCALE 20:1	DESIGN UNITS METRIC	THIRD ANGLE PROJECTION	
	10 UNDER	± 0.2	DRAWN BY YFUJIMAKI	DATE 2012/11/06	TITLE 0.4 BB CONN.HGT=0.8 W=2.5 PLUG CHECKER TYPE ASS'Y			
	10 OVER 30 UNDER	± 0.25	CHECKED BY TASAKAWA	DATE 2012/11/08				
	30 OVER	± 0.3	APPROVED BY MSASAO	DATE 2012/11/13	molex DOCUMENT NO. SD-503776-003 SHEET NO. 2 OF 2			
ANGULAR ±1 °		MATERIAL NO. SEE SHEET 1						
DRAFT WHERE APPLICABLE MUST REMAIN WITHIN DIMENSIONS		THIS DRAWING CONTAINS INFORMATION THAT IS PROPRIETARY TO MOLEX INCORPORATED AND SHOULD NOT BE USED WITHOUT WRITTEN PERMISSION						

引き出し方向
PULL OUT DIRECTION

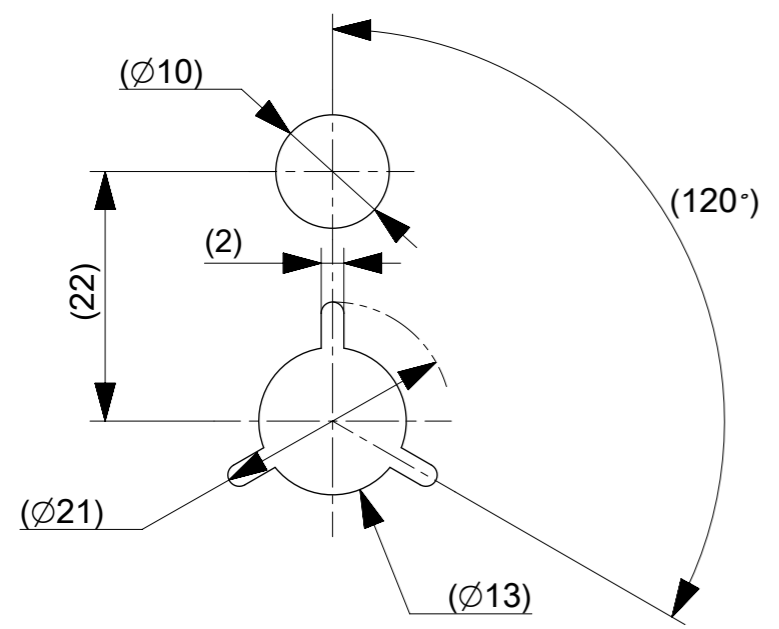


注記 NOTES

- 製品詳細寸法については製品単体図面を参照下さい。
RE DETAILED DIMENSION, SEE PRODUCT DRAWING.
- 梱包数量：3000個 / リール
NUMBER OF CONNECTORS : 3000 PCS/REEL.
- リードテープ長さ LEAD TAPE LENGTH.

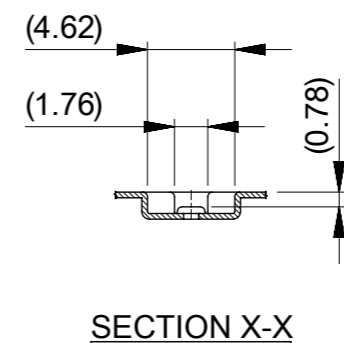
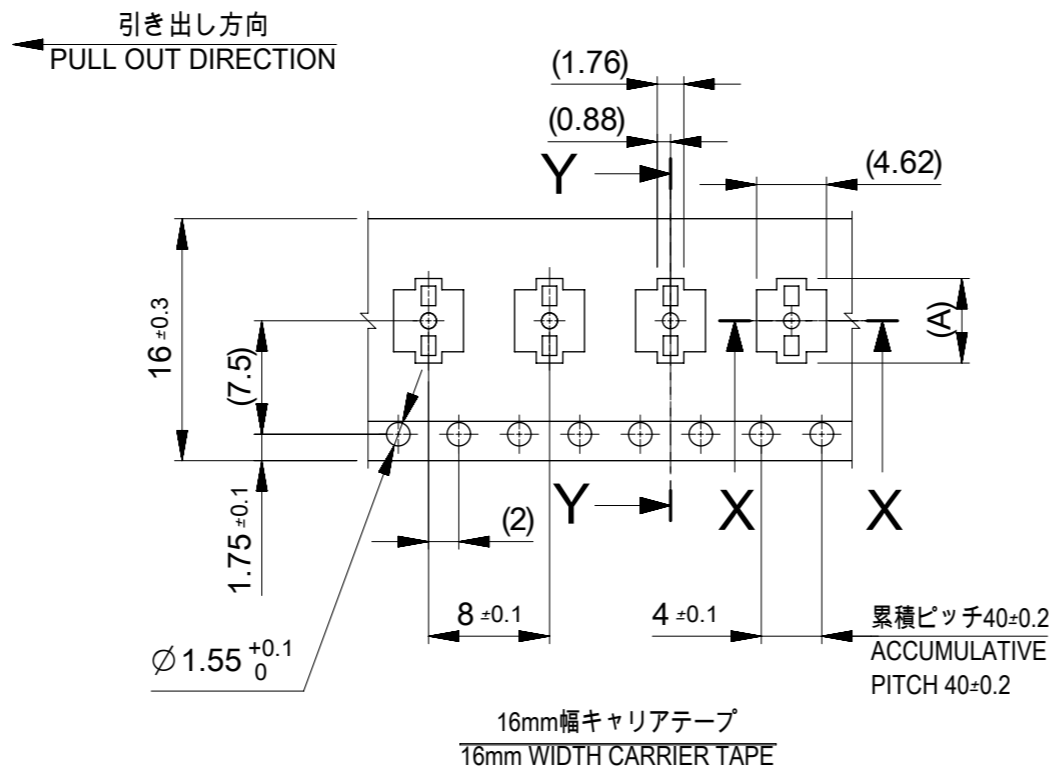
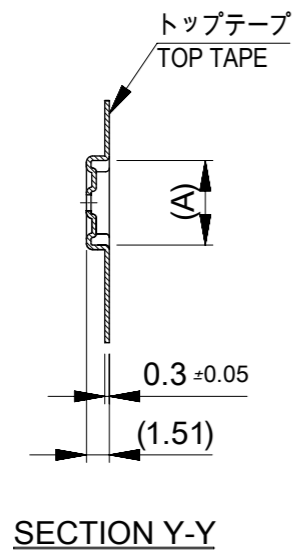


- カバーテープの剥離強度については、IEC60286-3に準拠。
COVER TAPE PEEL FORCE IS DEFINED BY IEC60286-3.
- 材料 MATERIAL
キャリアテープ(CARRIER TAPE) : ポリスチレン(POLYSTYRENE)
トップテープ(TOP TAPE) : PET, OTHER
リール(REEL) : ポリスチレン(PS) <リサイクル材を含む>
POLYSTYRENE(PS) < RECYCLE MATERIAL CONTAINED >
- ELV 及び RoHS適合品
ELV AND RoHS COMPLIANT



DETAIL "D"

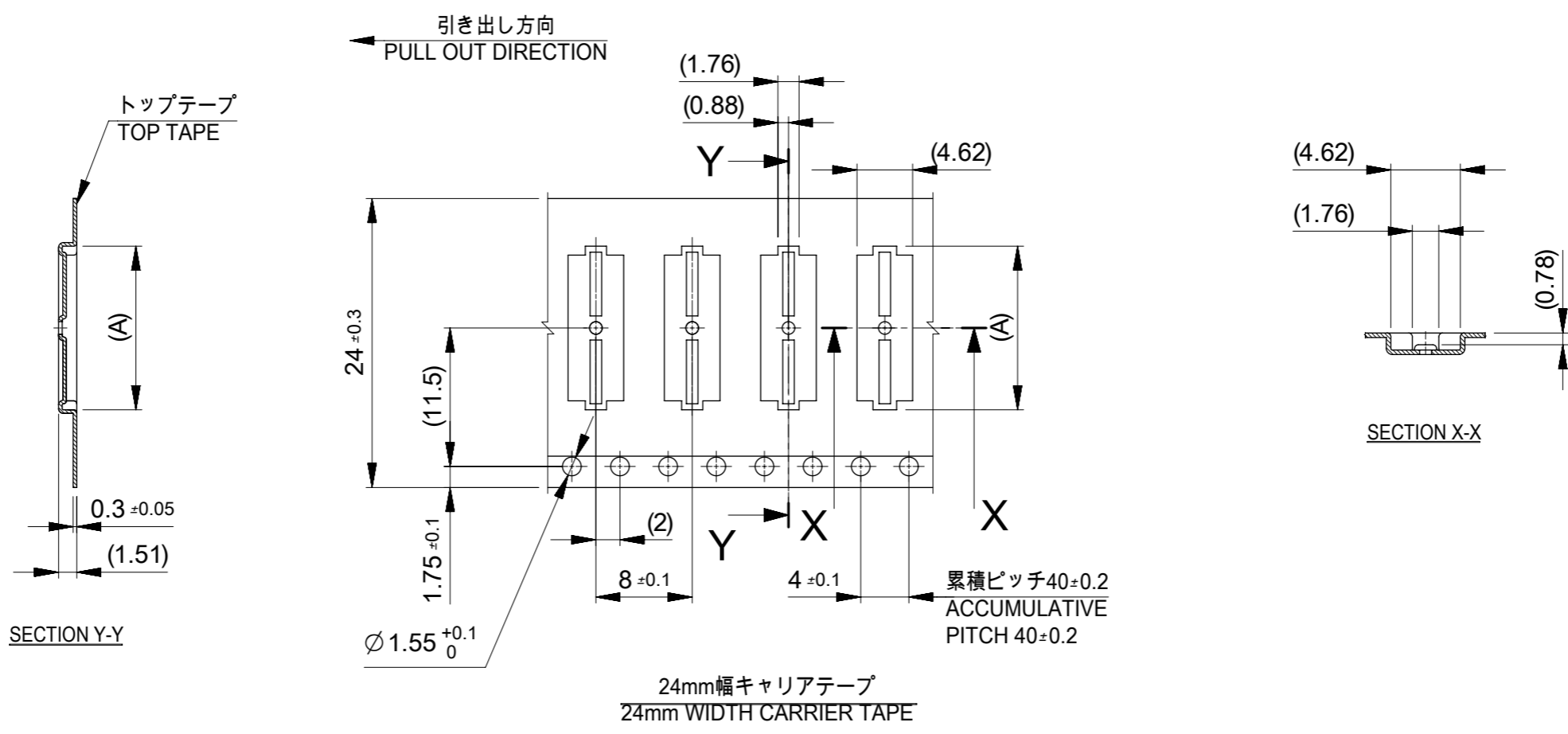
THIS DRAWING CONTAINS INFORMATION THAT IS PROPRIETARY TO MOLEX ELECTRONIC TECHNOLOGIES, LLC AND SHOULD NOT BE USED WITHOUT WRITTEN PERMISSION									
EC NO: 108729 DRWN: JFURUKAWA CHK'D: TASAKAWA APPR: KMORIKAWA	2016/09/21	GENERAL TOLERANCES (UNLESS SPECIFIED)		DIMENSION UNITS	SCALE	molex 0.4 BB CONN. HGT=0.8 PLUG ASSY EMBSTP PKG			
	2016/09/27	ANGULAR TOL ± 3.0 °		MM	NTS				
	2016/09/27	4 PLACES	± 0.03	DRWN BY	DATE	PRODUCT CUSTOMER DRAWING			
		3 PLACES	± 0.03	JFURUKAWA	2016/09/21				
		2 PLACES	± 0.05	CHK'D BY	DATE				
		1 PLACE	± 0.1	TASAKAWA	2016/09/27	SERIES: 503776 MATERIAL NUMBER: SEE CHART CUSTOMER: GENERAL			
		0 PLACES	± 0.2	APPR BY	DATE				
		DRAFT WHERE APPLICABLE MUST REMAIN WITHIN DIMENSIONS		DRAWING SIZE	THIRD ANGLE PROJECTION	DOCUMENT NUMBER: 5037760000 DOC TYPE: PSD DOC PART: 000 SHEET NUMBER: 1 OF 3			
A	REV			A3					



16	21.4	17.4	6.39	503776-2410	24
			5.59	503776-2010	20
			4.79	503776-1610	16
			3.59	503776-1010	10
キャリアテープ幅 CARRIER TAPE WIDTH		C	B	(A)	MATERIAL NO. CKT.
				MODEL NO.	503776-***0

THIS DRAWING CONTAINS INFORMATION THAT IS PROPRIETARY TO MOLEX ELECTRONIC TECHNOLOGIES, LLC AND SHOULD NOT BE USED WITHOUT WRITTEN PERMISSION

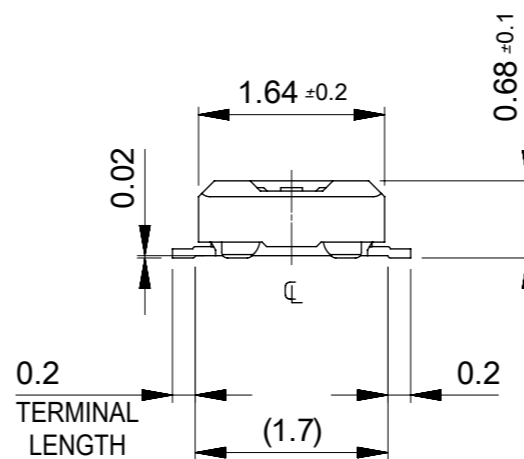
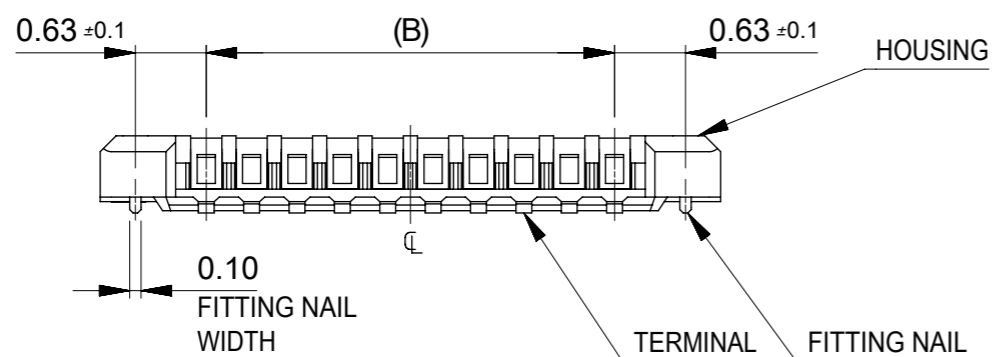
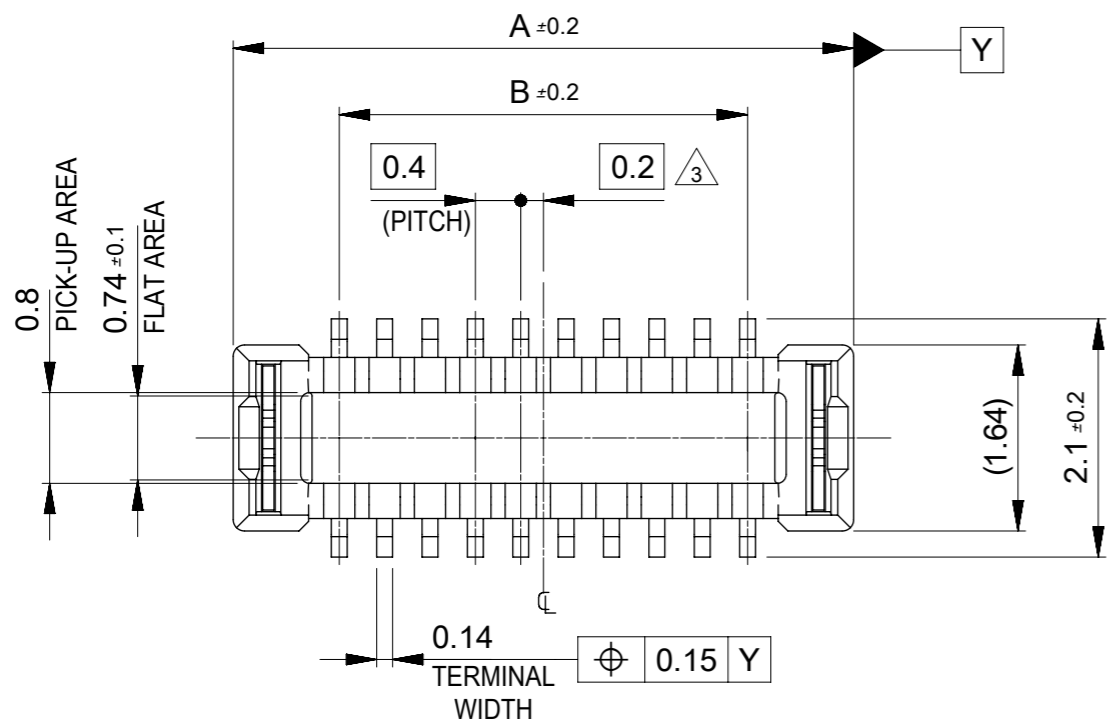
EC NO: 108729 DRWN: JFURUKAWA CHK'D: TASAKAWA APPR: KMORIKAWA	2016/09/21	GENERAL TOLERANCES (UNLESS SPECIFIED)		DIMENSION UNITS	SCALE	
	2016/09/27	ANGULAR TOL ± 3.0 °		MM	NTS	
	2016/09/27	4 PLACES ± 0.03	DRWN BY	DATE		
		3 PLACES ± 0.03	JFURUKAWA	2016/09/21		
		2 PLACES ± 0.05	CHK'D BY	DATE		
	1 PLACE ± 0.1	TASAKAWA	2016/09/27		0.4 BB CONN. HGT=0.8 PLUG ASSY EMBSTP PKG	
	0 PLACES ± 0.2	APPR BY	DATE			
	DRAFT WHERE APPLICABLE MUST REMAIN WITHIN DIMENSIONS	KMORIKAWA	2016/09/27			
A	REV	DRAFT WHERE APPLICABLE MUST REMAIN WITHIN DIMENSIONS		DRAWING SIZE	THIRD ANGLE PROJECTION	PRODUCT CUSTOMER DRAWING
				A3		SERIES
						503776
						MATERIAL NUMBER
						SEE CHART
						CUSTOMER
						GENERAL
						DOCUMENT NUMBER
						5037760000
						DOC TYPE
						PSD
						DOC PART
						000
						SHEET NUMBER
						2 OF 3



24	29.4	25.4	13.59	503776-6010	60
			11.59	503776-5010	50
			9.59	503776-4010	40
			8.39	503776-3410	34
			7.59	503776-3010	30
キャリアテープ幅 CARRIER TAPE WIDTH			C	B	(A)
				MATERIAL NO.	CKT.
				MODEL NO.	503776-***0

THIS DRAWING CONTAINS INFORMATION THAT IS PROPRIETARY TO MOLEX ELECTRONIC TECHNOLOGIES, LLC AND SHOULD NOT BE USED WITHOUT WRITTEN PERMISSION

EC NO: 108729 DRWN: JFURUKAWA CHK'D: TASAKAWA APPR: KMORIKAWA	2016/09/21	GENERAL TOLERANCES (UNLESS SPECIFIED) ANGULAR TOL ± 3.0 ° 4 PLACES ± 0.03 3 PLACES ± 0.03 2 PLACES ± 0.05 1 PLACE ± 0.1 0 PLACES ± 0.2 DRAFT WHERE APPLICABLE MUST REMAIN WITHIN DIMENSIONS	DIMENSION UNITS	SCALE		
	2016/09/27		MM	NTS		
	2016/09/27		DRWN BY	DATE		JFURUKAWA 2016/09/21
			CHK'D BY	DATE		TASAKAWA 2016/09/27
			APPR BY	DATE		KMORIKAWA 2016/09/27
		DRAWING SIZE	THIRD ANGLE PROJECTION		PRODUCT CUSTOMER DRAWING	
A	REV	A3			SERIES: 503776	
					MATERIAL NUMBER: SEE CHART	
					CUSTOMER: GENERAL	
					DOCUMENT NUMBER: 5037760000	
					DOC TYPE: PSD	
					DOC PART: 000	
					SHEET NUMBER: 3 OF 3	



注記 NOTES

1. 使用材料 MATERIAL

ハウジング:液晶ポリマー(LCP) UL94V-0(黒)
 HOUSING : LIQUID CRYSTAL POLYMER UL94V-0 (COLOR : BLACK)
 ターミナル : 銅合金
 TERMINAL : COPPER ALLOY
 金具 : 銅合金
 FITTING NAIL : COPPER ALLOY

2. メッキ仕様 PLATING

ターミナル TERMINAL

金メッキ
 GOLD
 下地メッキ : ニッケルメッキ
 UNDER PLATING : NICKEL
 ※コンタクト部とテール部はニッケルメッキによって分断されている金メッキです。
 DIVIDE INTO PARTS THE GOLD PLATING OF THE CONTACT AND THE TAIL PART BY THE NICKEL PLATING.

金具 FITTING NAIL

錫メッキ
 Tin PLATING
 下地メッキ : ニッケルメッキ
 UNDER PLATING : NICKEL

3. (全極数/2)=偶数の場合に適用。

APPLY FOR (CIRCUIT/2)=EVEN.

4. 嵌合相手 : 503772 シリーズ

MATE WITH : 503772 SERIES.

5. テール及び金具の平坦度は、0.08以下。60極は0.1以下。

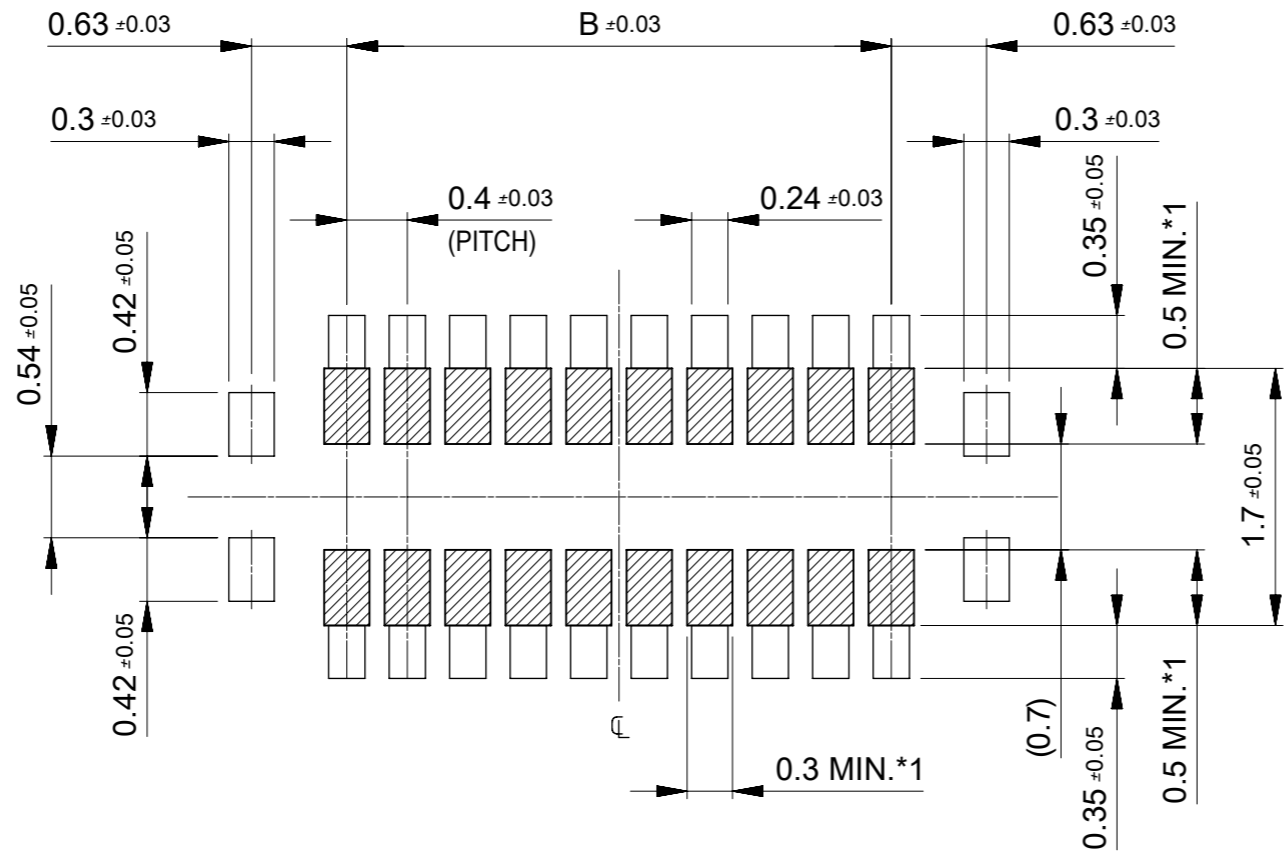
TAIL AND FITTING NAIL COPLANARITY TO BE 0.08 MAXIMUM.
 TAIL AND FITTING NAIL COPLANARITY WITH 60cct TO BE 0.1 MAXIMUM.

6. ELV and RoHS COMPLIANT

11.6	13.47	503776-6010	60
9.6	11.47	503776-5010	50
7.6	9.47	503776-4010	40
6.4	8.27	503776-3410	34
5.6	7.47	503776-3010	30
4.4	6.27	503776-2410	24
3.6	5.47	503776-2010	20
2.8	4.67	503776-1610	16
1.6	3.47	503776-1010	10
B	A	EMBOSSED PACKAGE	極数
		オーダー番号 ORDER No.	CIRCUITS
		CONNECTOR SERIES No. : 503776	

THIS DRAWING CONTAINS INFORMATION THAT IS PROPRIETARY TO MOLEX ELECTRONIC TECHNOLOGIES, LLC AND SHOULD NOT BE USED WITHOUT WRITTEN PERMISSION

EC NO: 108729 DRWN: JFURUKAWA CHK'D: TASAKAWA APPR: KMORIKAWA	2016/09/21	GENERAL TOLERANCES (UNLESS SPECIFIED)		DIMENSION UNITS	SCALE	
	2016/09/27	ANGULAR TOL ± 3.0 °		MM	15:1	
	2016/09/27	4 PLACES	± 0.03	DRWN BY	DATE	
		3 PLACES	± 0.03	JFURUKAWA	2016/09/21	
		2 PLACES	± 0.05	CHK'D BY	DATE	
		1 PLACE	± 0.1	TASAKAWA	2016/09/27	
		0 PLACES	± 0.2	APPR BY	DATE	
		DRAFT WHERE APPLICABLE MUST REMAIN WITHIN DIMENSIONS		KMORIKAWA	2016/09/27	
				DRAWING SIZE	THIRD ANGLE PROJECTION	
				A3		
PRODUCT CUSTOMER DRAWING						SERIES: 503776 MATERIAL NUMBER: SEE TABLE CUSTOMER: GENERAL
DOCUMENT NUMBER: 5037761000						
DOC TYPE: PSD DOC PART: 000 SHEET NUMBER: 1 OF 2						



RECOMMENDED P.W. BOARD
PATTERN LAYOUT

- *1 パターン引き回し、および半田禁止エリア
(当該箇所においては、これと接する回路以外の配線を禁止する。
また、接する回路を配線する場合はレジストを施し、この部分に
半田は無きこととする。)
- *1 PROHIBITED AREA OF PATTERN WIRING AND SOLDER.
(FOR EACH AREA, THE WIRING THAT TOUCHES ON THE SOLDER
CAN BE ATTACHED, THEN COVERED WITH A FILM TO KEEP SOLDER OUT.)

THIS DRAWING CONTAINS INFORMATION THAT IS PROPRIETARY TO MOLEX ELECTRONIC TECHNOLOGIES, LLC AND SHOULD NOT BE USED WITHOUT WRITTEN PERMISSION

EC NO: 108729 DRWN: JFURUKAWA CHK'D: TASAKAWA APPR: KMORIKAWA	2016/09/21	GENERAL TOLERANCES (UNLESS SPECIFIED)		DIMENSION UNITS	SCALE	
	2016/09/27	ANGULAR TOL ± 3.0 °		MM	20:1	
	2016/09/27	4 PLACES ± 0.03	DRWN BY	DATE		
		3 PLACES ± 0.03	JFURUKAWA	2016/09/21		
		2 PLACES ± 0.05	CHK'D BY	DATE		0.4 BB CONN. HGT=0.8 W=2.5 PLUG ASSY
		1 PLACE ± 0.1	TASAKAWA	2016/09/27		
		0 PLACES ± 0.2	APPR BY	DATE		PRODUCT CUSTOMER DRAWING
			KMORIKAWA	2016/09/27		
			DRAFT WHERE APPLICABLE MUST REMAIN WITHIN DIMENSIONS	DRAWING SIZE	THIRD ANGLE PROJECTION	SERIES
				A3		503776
						MATERIAL NUMBER
						SEE TABLE
						CUSTOMER
						GENERAL
						DOCUMENT NUMBER
						5037761000
						DOC TYPE
						PSD
						DOC PART
						000
						SHEET NUMBER
						2 OF 2