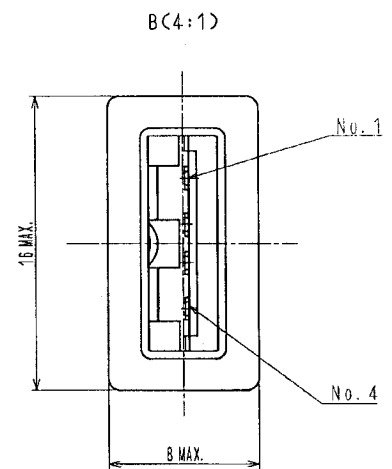
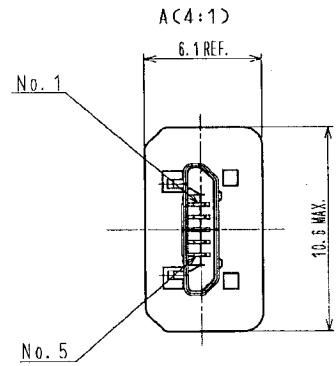


TABLE-1 WIRING DIAGRAM

CN1 CONTACT No.	1	2	3	4	5	SHELL
SIGNAL	Vcc	DATA -	DATA +	NON WIRING	GND	BRAIDED WIRE + DRAIN WIRE
WIRING COLOR	RED	WHITE	GREEN		BLACK	
CN2 CONTACT No.	1	2	3		4	SHELL



NOTES
 1 REFER TO TABLE-1 FOR WIRING OF CN1 AND CN2.
 2 THIS PRODUCT IS USING THE CABLE MADE FROM COPARTNER CORP. AND WUSBF288K1P2B0000W01.

2	CONNECTOR	ZX64-B-SLDA	5	INTERFACE CABLE	2	BLACK		
1	CONNECTOR	ZX64-B-5S-UNIT(14)	4	CONNECTOR	3	USB-A TYPE. BLACK		
			3	PVC		BLACK		
NO.	MATERIAL	FINISH	REMARKS	NO.	MATERIAL	FINISH	REMARKS	
UNITS	mm	SCALE	1:1	COUNT	DESCRIPTION OF REVISIONS	DESIGNED	CHECKED	DATE
HRS HIROSE ELECTRIC CO., LTD.		APPROVED	KN. ICHIKAWA	09.02.05	DRAWING NO.	EDC3-126637-00		
		CHECKED	KN. ICHIKAWA	09.02.05	PART NO.	ZX64-B-5S-1000-STDA		
		DESIGNED	MO. SHIMOYAMA	09.02.05	CODE NO.	CL242-1004-5-00		
		DRAWN	MO. SHIMOYAMA	09.02.05				

APPLICABLE STANDARD		USB2.0 SPECIFICATION AND MICRO-USB CABLE AND CONNECTORS SPECIFICATION.	
OPERATING TEMPERATURE RANGE	-30°C TO +80°C	STORAGE TEMPERATURE RANGE	-30°C TO +60°C Δ
RATING	VOLTAGE	AC 30V	CURRENT
			SIGNAL ONLY 1.0 A/pin POWER APPLY 1.8 A/pin (PIN No.1, No.5) 0.5 A/pin (PIN No.2-No.4)

SPECIFICATIONS

ITEM	TEST METHOD	REQUIREMENTS	QT	AT
------	-------------	--------------	----	----

CONSTRUCTION

GENERAL EXAMINATION	VISUALLY AND BY MEASURING INSTRUMENT.	ACCORDING TO DRAWING.	X	X
MARKING	CONFIRMED VISUALLY.		X	X

ELECTRICAL CHARACTERISTICS

DELETED Δ				
VOLTAGE PROOF	100 V AC FOR 1 min.	NO FLASHOVER OR BREAKDOWN.	X	X
CONTACT RESISTANCE	100 mA DC.	350 m Ω MAX. Δ	X	X

--	--	--	--	--

COUNT	DESCRIPTION OF REVISIONS	DESIGNED	CHECKED	DATE
Δ 1	DIS-E-002936	MO. SHIMOYAMA	KN. ICHIKAWA	09.09.15
REMARK A connector independent performance is based on CL242-0009-3. HIROSE will not guarantee the performance on these specifications in case this product will be mated with the others which is not HIROSE'S. Unless otherwise specified, refer to USB2.0 or EIA 364.		APPROVED	KO. SUZUKI	07.12.12
		CHECKED	RZ. KOYAMA	07.12.11
		DESIGNED	KO. KAWAMURA	07.12.11
		DRAWN	KO. KAWAMURA	07.12.11

Note QT:Qualification Test AT:Assurance Test X:Applicable Test
 Drawing No. ELC4-126637-00

HR	SPECIFICATION SHEET	
	PART NO. ZX64-B-5S-1000-STDA	CODE NO. CL242-1004-5-00 Δ