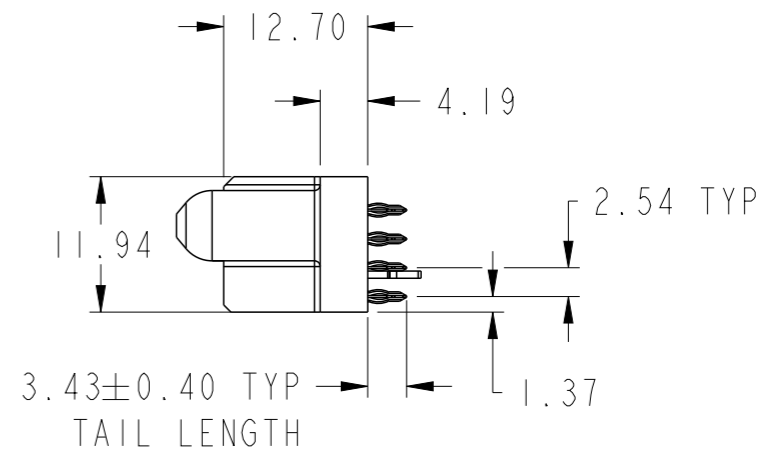
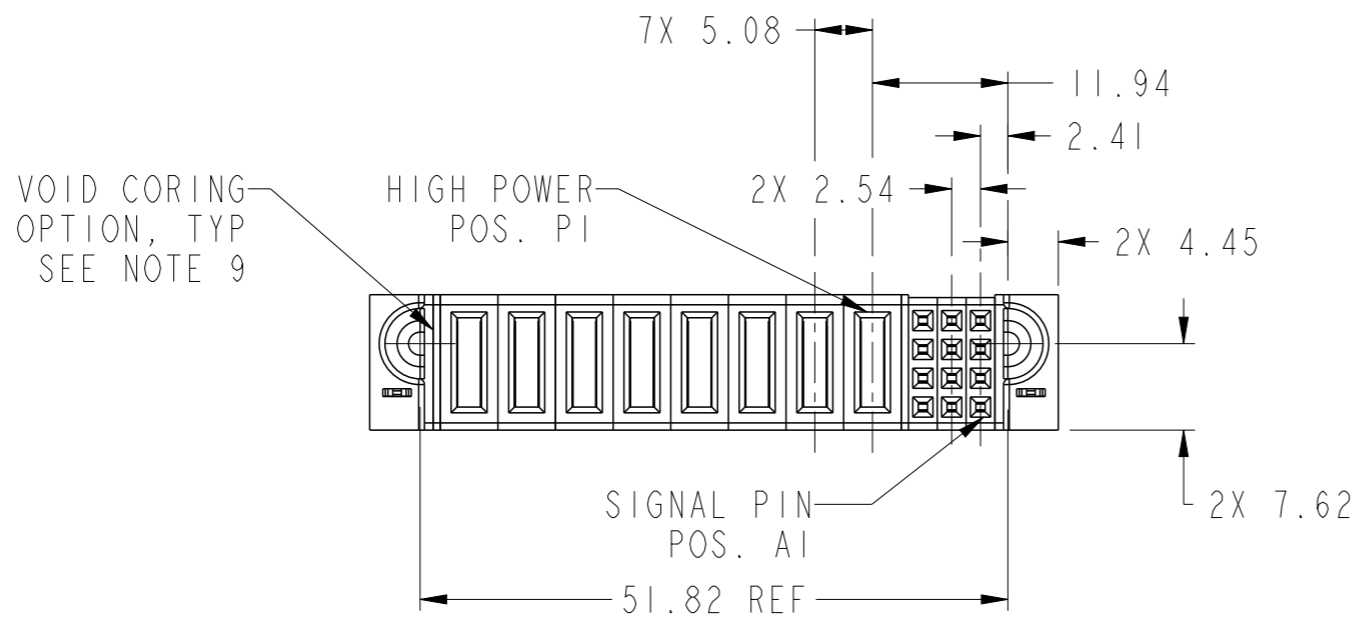
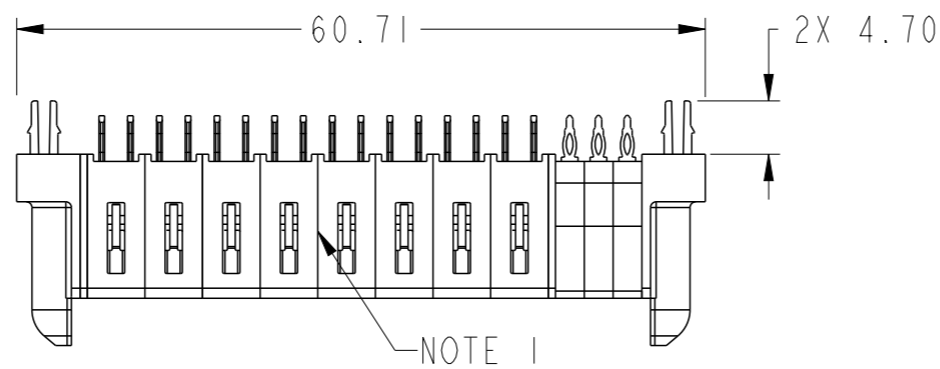
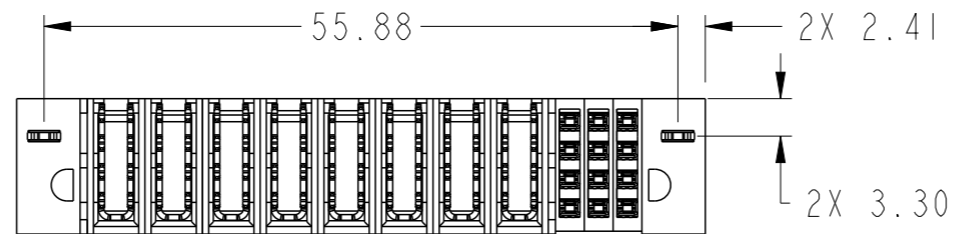


PRODUCT NUMBER SEE SHEET 2



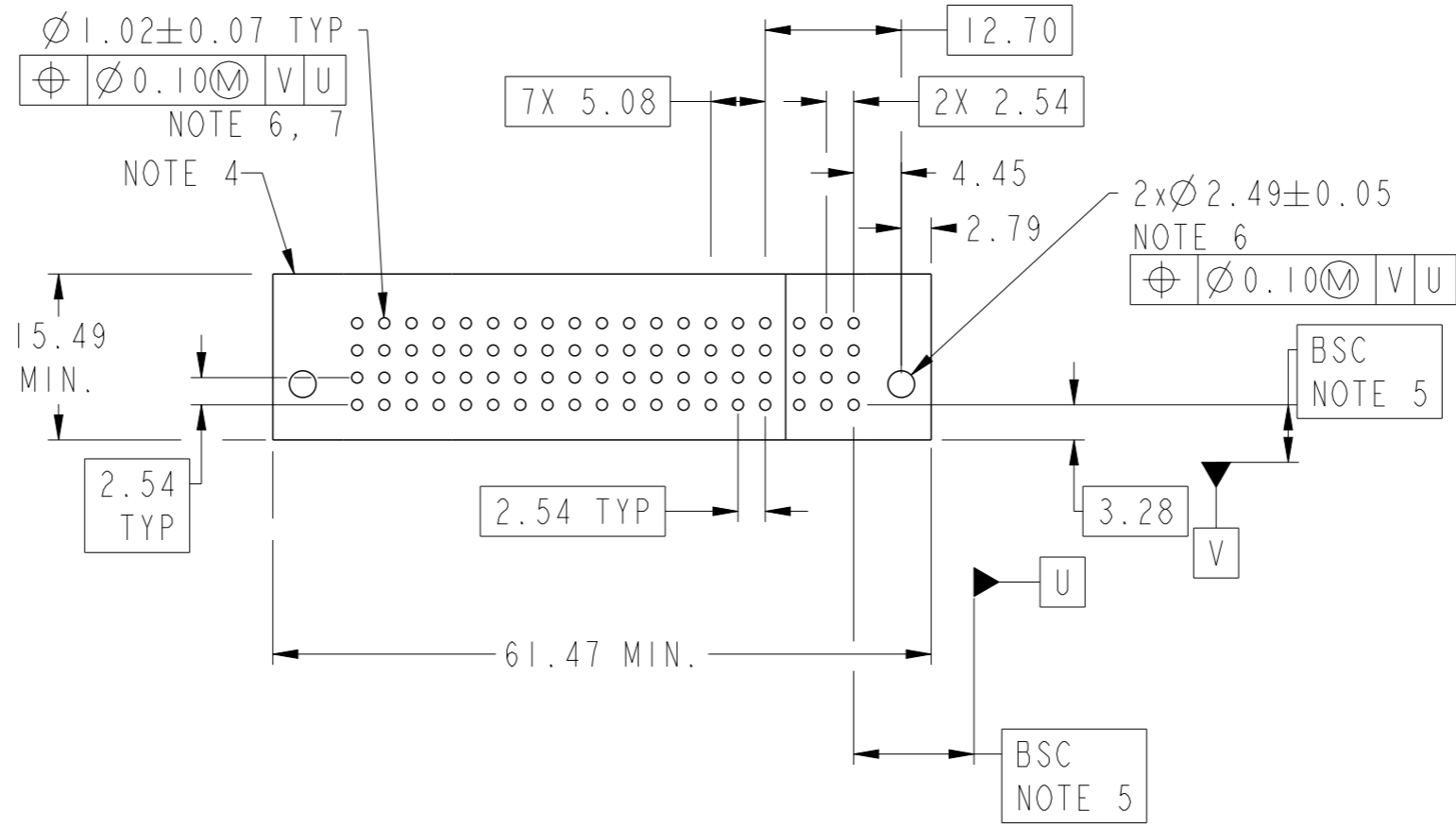
spec ref		dr	Peng-Bing Fu	2013/04/03	projection	MM	size	A3	scale	3:2	
tolerance std ASME Y14.5		TOLERANCES UNLESS OTHERWISE SPECIFIED			eng	Peng-Bing Fu	2013/04/23	ecn no	-		
		chr	-		appr	Pei-Ming Zheng	2013/04/23	rel level	Released		
surface		linear	0.X	±0.50	www.fci.com	cat. no.	product family	PowerBlade+	dwg no	10106139-8003003	rev
ASME Y14.5			0.XX	±0.25							
		0.XXX	±0.10								
		angular	0°	±2°							



Copyright FCI.

PRODUCT NO.	ROWS	HIGH POWER								SIG			E1	E2	
		P8	P7	P6	P5	P4	P3	P2	P1	3	2	1			
10106139-8003003LF	DCBA	HG	HG	HG	HG	HG	HG	HG	HG	FFF	FFF	FFF	FFF	HA	HA

CODE	DESCRIPTION
F	STD SIGNAL CONTACT
HA	METAL HOLD DOWN
HG	STD HIGH POWER CONTACT (3.43)



Copyright FCI.

dr	Peng-Bing Fu	2013/04/03	projection	MM	size	A3	scale	3:2
eng	Peng-Bing Fu	2013/04/23			ecn no			
chr	-	-			-			
appr	Pei-Ming Zheng	2013/04/23	product family	PowerBlade+	rel level		Released	
		title 12S+8HDP VT PF RECEPTACLE			dwg no 10106139-8003003		rev A	
www.fci.com		cat. no.		Product - Customer Drw			sheet 2 of 3	

A

B

C

D

A

B

C

D

NOTES:

- 1) "FCI", PART NUMBER AND DATE CODE TO BE MARKED ON THIS SURFACE.
THE MARK CAN BE OMITTED IF THERE IS NOT ENOUGH SPACE ON THIS SURFACE.
- 2) MATERIALS:
-HOUSING - GLASS FILLED WITH HIGH TEMP THERMOPLASTIC, UL94V-0.
-SIGNAL CONTACT - COPPER ALLOY.
-POWER CONTACT - HIGH CONDUCTIVITY COPPER ALLOY.
- 3) PLATING SPECIFICATION REFER TO FCI 10116351
- 4) DENOTES CONNECTOR KEEP OUT ZONE.
- 5) DATUM AND BASIC DIMENIONS WERE ESTABLISHED BY CUSTOMER.
- 6) ALL HOLE DIAMETERS ARE FINISHED HOLE SIZES.
- 7) 1.15 ± 0.025 MM DRILLED HOLE PLATED WITH 0.00762MM MIN Sn
OVER 0.0254-0.0762MM Cu PLATING TO ACHIEVE A 1.02 ± 0.07 MM HOLE.
- 8) PRODUCT SPECIFICATION REFER TO FCI GS-12-658.
APPLICATION SPECIFICATION REFER TO FCI GS-20-141.
PRODUCT PACKAGED IN TRAYS, REFER TO FCI GS-14-1502.
- 9) THE VOID CORING IN BETWEEN POWER MODULES, SIGNAL
MODULES AND END MODULES ARE OPTIONAL AND THE SHAPE
MAY BE DIFFERENT FOR OPTIMIZE THE MOLDING PROCESS. THE
VOID CORING WILL NOT EFFECT TO PRODUCT FUNCTION.



Copyright FCI.

dr	Peng-Bing Fu	2013/04/03	projection 	MM 	size	A3	scale	1:1		
eng	Peng-Bing Fu	2013/04/23			ecn no	-				
chr	-	-			rel level	Released				
appr	Pei-Ming Zheng	2013/04/23	product family	PowerBlade+						
		title			12S+8HDP	dwg no		10106139-8003003	rev	A
www.fci.com		cat. no.			Product - Customer Drw			sheet 3 of 3		