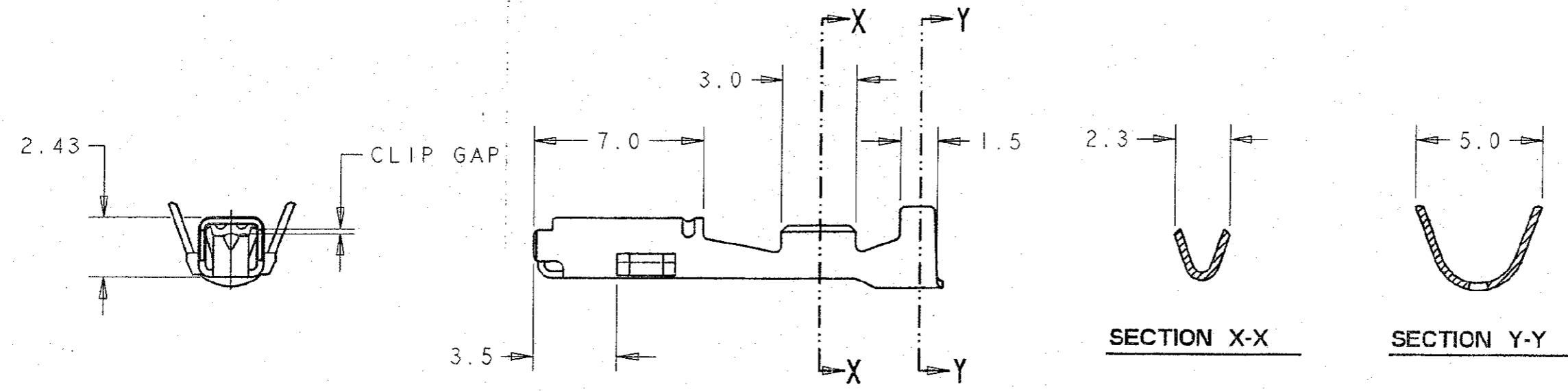
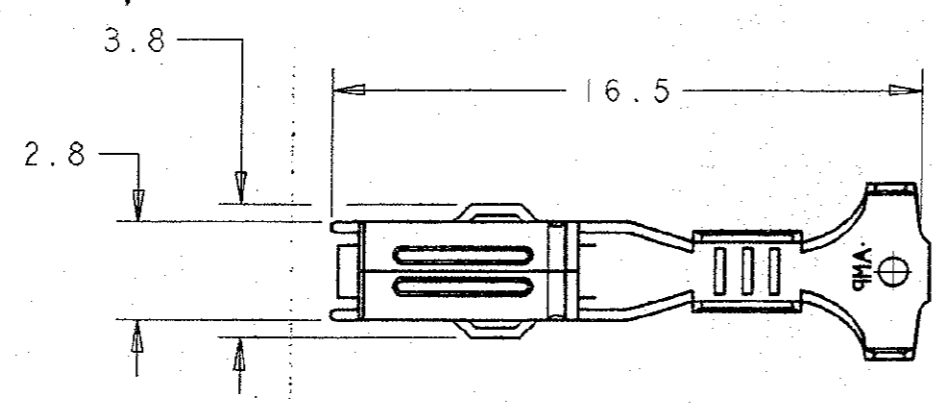
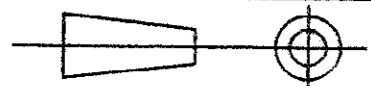


8 7 6 5 4 3 2 1

DO NOT SCALE DIMENSIONS IN MM.



WIRE RANGE: 0.2 TO 0.5 mm².
 FOR SEALED AND UNSEALED APPLICATIONS, SINGLE WIRES ONLY MUST BE USED.

INSULATION RANGE:
 FOR UNSEALED APPLICATIONS, WIRES OF 1.1 TO 1.8 mm INSULATION DIA. MAY BE USED.
 FOR SEALED APPLICATIONS, ONLY WIRES OF 1.6 TO 1.8 mm INS. DIA. MAY BE USED WITH SEAL PN.345791-1.

PRE-TINNED		BRASS		345808-1	
FINISH		MATERIAL		PART NUMBER	
CUSTOMER DWG FOR REFERENCE ONLY		© COPYRIGHT 1993 BY AMP OF GREAT BRITAIN LTD. ALL INTERNATIONAL RIGHTS RESERVED. ALL PRODUCTS MAY BE COVERED BY BRITISH AND FOREIGN PATENTS AND/OR PATENTS PENDING.		RELEASED FOR PUBLICATION 01 APR 1993	
		TOLERANCES UNLESS OTHERWISE STATED DEC ± 0.5 ANGLES ± 1°		DR. R.J.S. 1.4.93 CH. R.R. APP. J.P.	
A RELEASED EB00-0041-D1 14.02.91		NAME .070" RECEPTACLE ECONOSEAL 3 L.C.		AMP of Great Britain Ltd. TERMINAL HOUSE STANMORE MIDDX.	
2	BOX WT. TOL ALTERED EB00-0344-95 10.10.95	SCALE	LOC	SIZE	DWG. No.
1	PRELIM. ISSUE	5 / 1	E	A 3	C345808
REV	MODIFICATION	CHANGE No.	DATE	REV	SHEET
				A	1 / 1