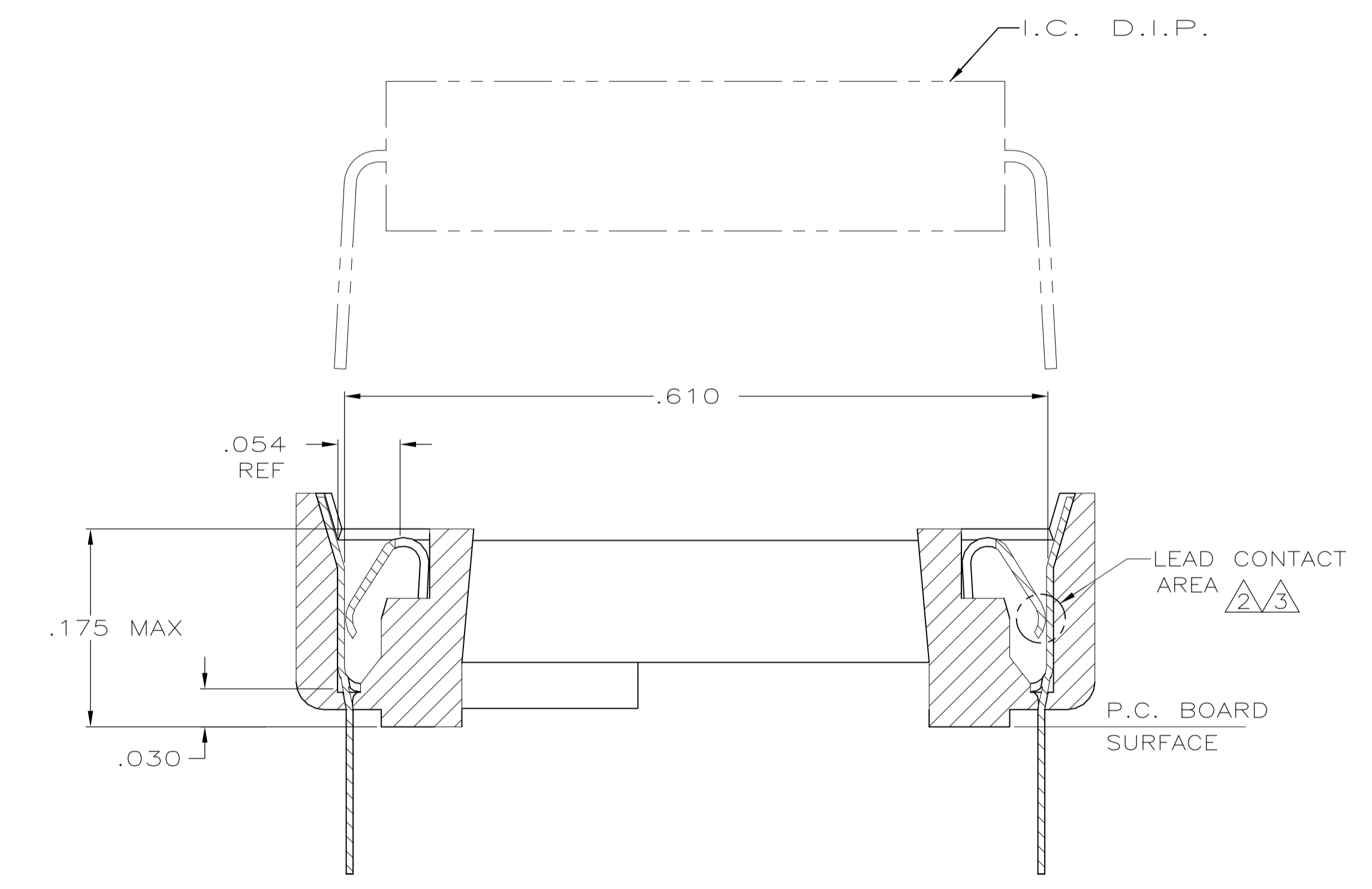
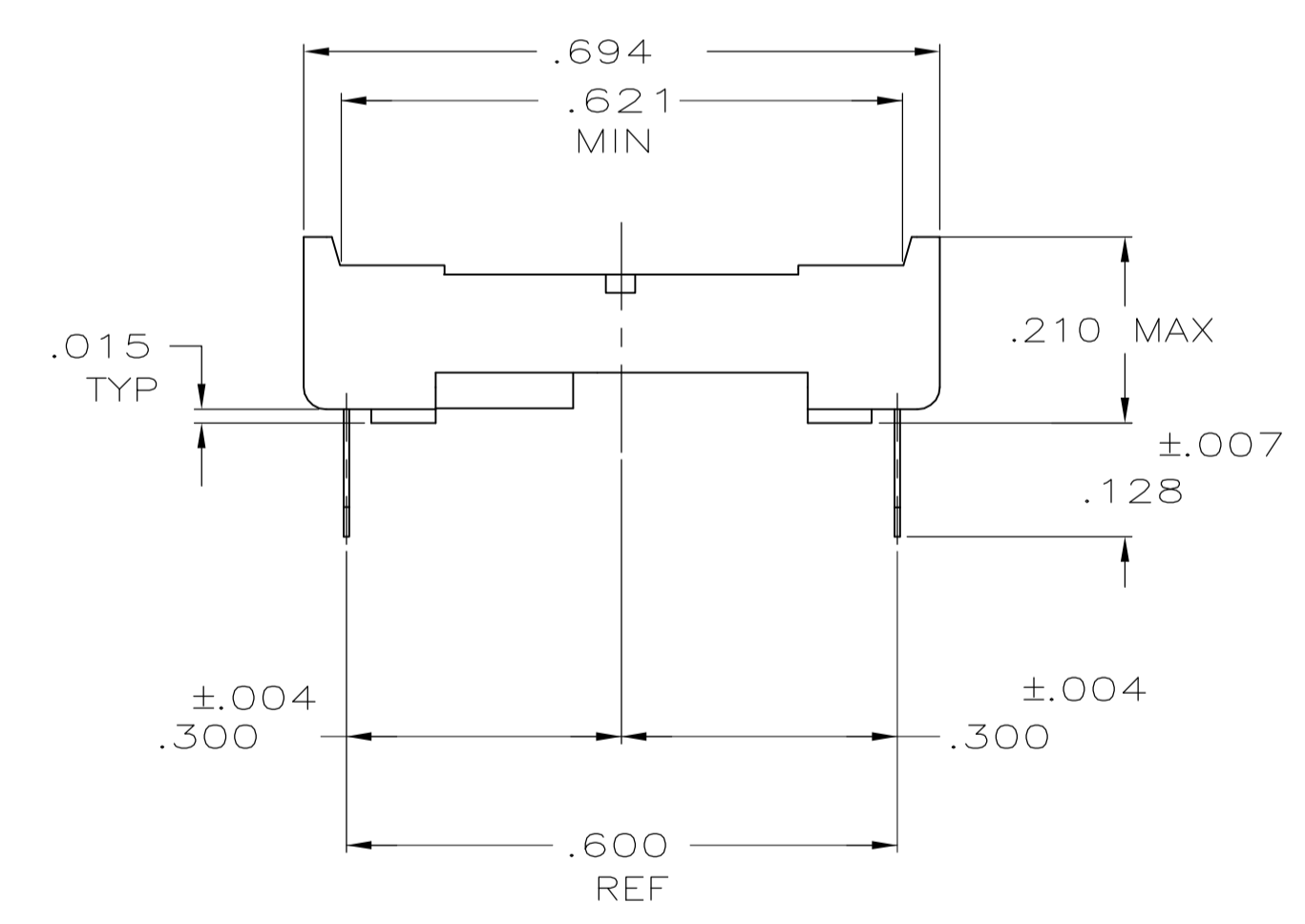
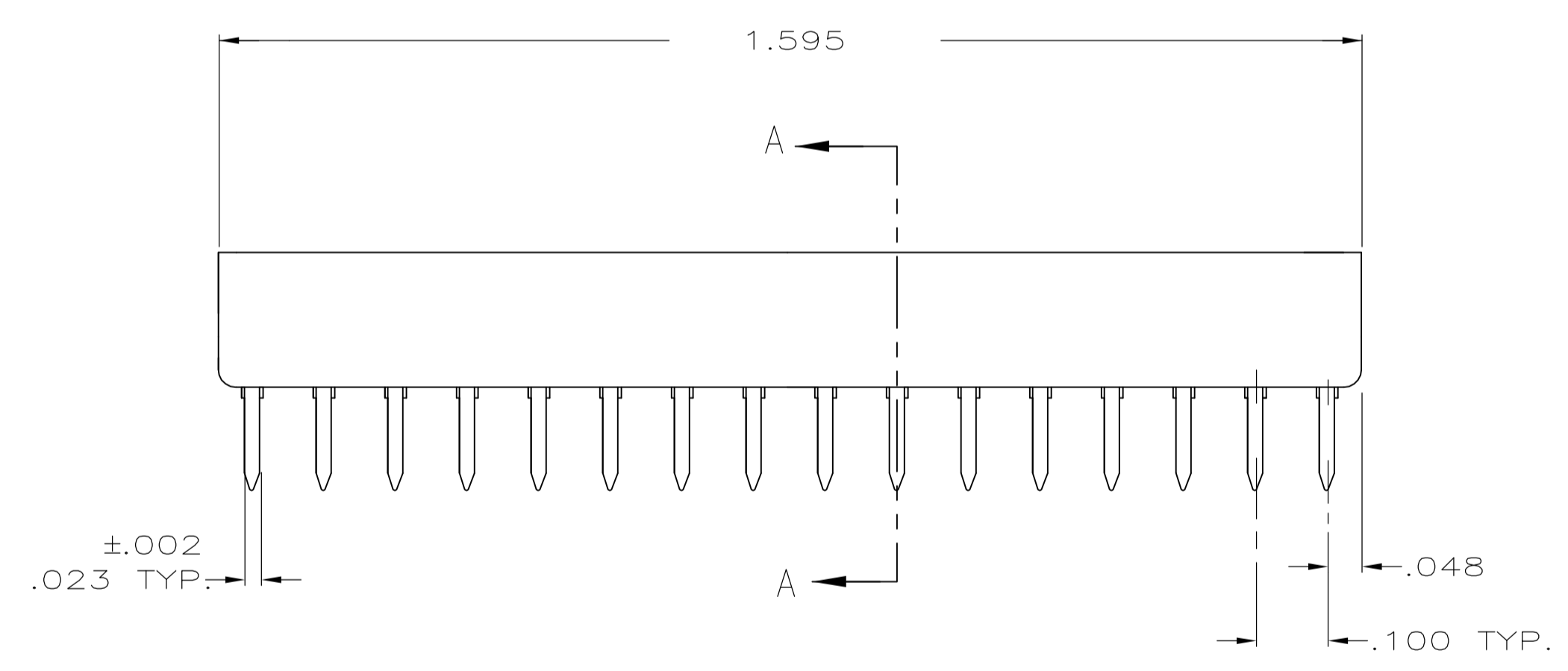
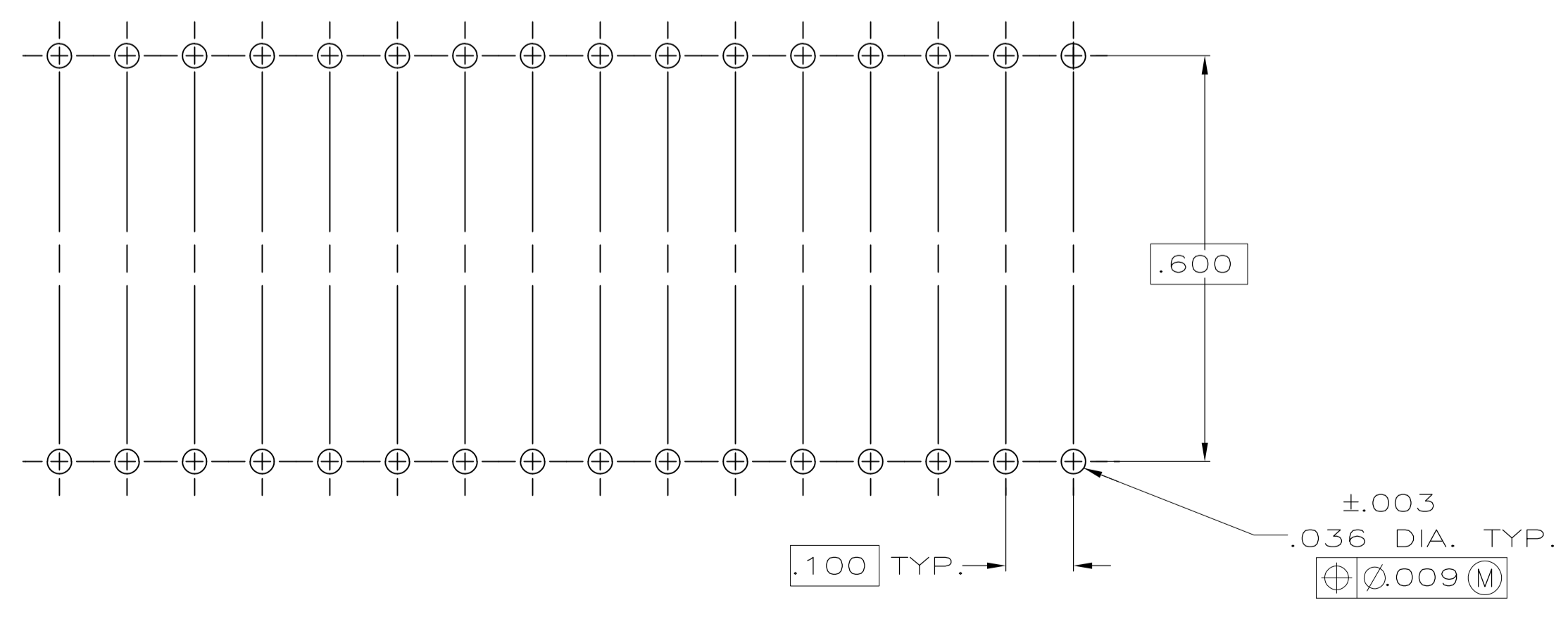


- RECEPTACLE ACCEPTS AN .008-.014 THK. I.C. LEAD.
 - TWO .000030 MIN.THK.GOLD STRIPES IN CONTACT AREA, TIN-LEAD(93-7) ON CONTACT LEGS, BALANCE OF CONTACT NICKEL PLATED.
 - TWO .000015 MIN.THK.GOLD STRIPES IN CONTACT AREA, TIN-LEAD(93-7) ON CONTACT LEGS, BALANCE OF CONTACT NICKEL PLATED.
 - TUBE LOADED FOR AUTOMATIC INSERTION
- SPECIAL PACKAGING.
 - SEE RESTRICTED CUSTOMER DRAWING 4-644018-3.



SECTION A-A
SCALE 10:1



RECOMMENDED MOUNTING HOLE PATTERN

SUPSD BY 390262-3	TINNED	PHOS.BRZ.	GLASS-FILLED THERMOPLASTIC, 94V-0, BLACK	5-644018-3
OBSELETE	-	-	-	OBSELETE
OBSELETE	TINNED	PHOS.BRZ. .006 THK	GLASS-FILLED THERMOPLASTIC, 94V-0, BLACK	2-644018-5
		PHOS.BRZ.	GLASS-FILLED THERMOPLASTIC, 94V-0, BLACK	2-644018-4
SUPSD BY 390263-2	TINNED	PHOS.BRZ.	GLASS-FILLED THERMOPLASTIC, 94V-0, BLACK	2-644018-3
		BE.CU.	GLASS-FILLED THERMOPLASTIC, 94V-0, BLACK	2-644018-2
SUPSD BY 390263-2	TINNED	BE.CU.	GLASS-FILLED THERMOPLASTIC, 94V-0, BLACK	2-644018-1
	CONTACT FINISH	CONTACT MAT'L	HOUSING MATERIAL	PART NO.

THIS DRAWING IS A CONTROLLED DOCUMENT.

DIMENSIONS: INCHES	TOLERANCES UNLESS OTHERWISE SPECIFIED:	DIN M. CYRUS 14 MAY 97	STE TE Connectivity
0 PLC ± -	1 PLC ± -	CHK R. MILLER	NAME
2 PLC ± -	3 PLC ± .005	APVD J. GRAY	SOCKET ASSY, DIP, OTC, 32 POS, DIPLOMATE DL
4 PLC ± -	ANGLES ± -	PRODUCT SPEC 108-1066	APPLICATION SPEC 114-1049
MATERIAL SEE TABLE	FINISH SEE TABLE	SIZE A1	WEIGHT
		CAGE CODE 00779	DRAWING NO. 644018
		CUSTOMER DRAWING	SCALE 5:1 SHEET 1 OF 1 REV V1