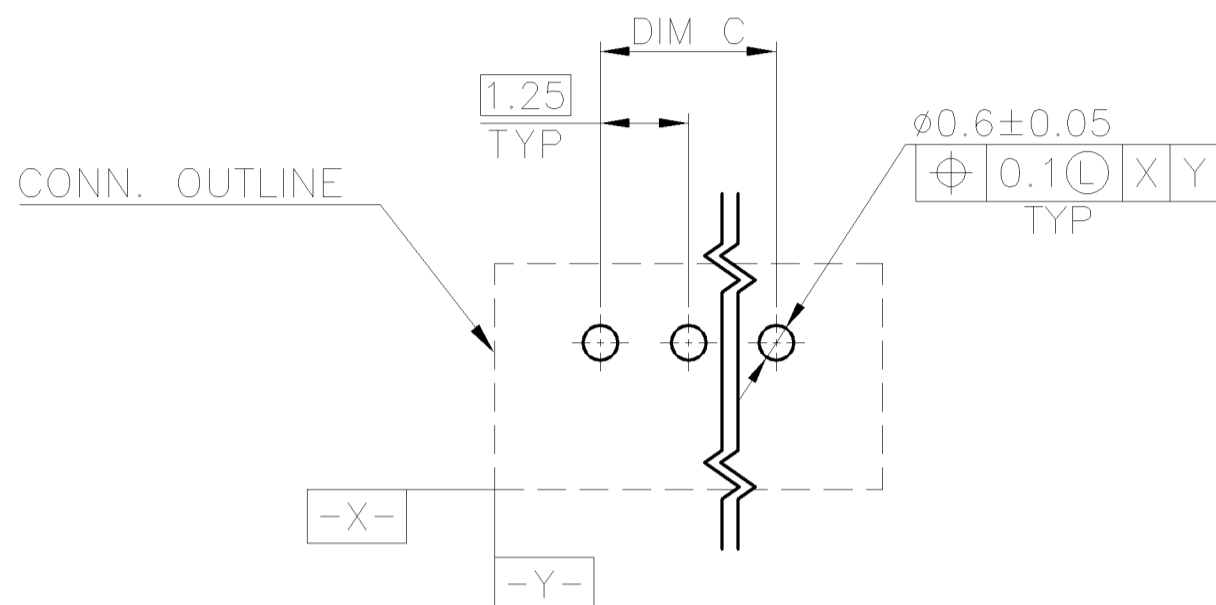
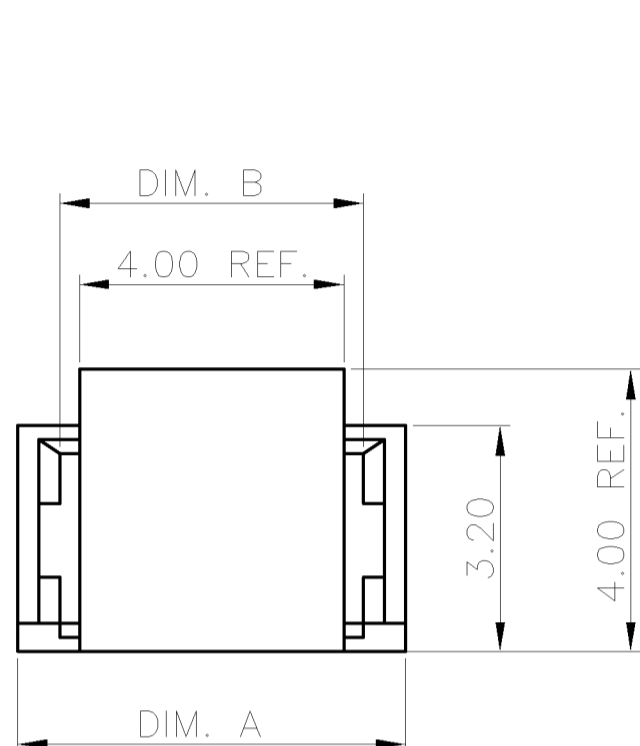


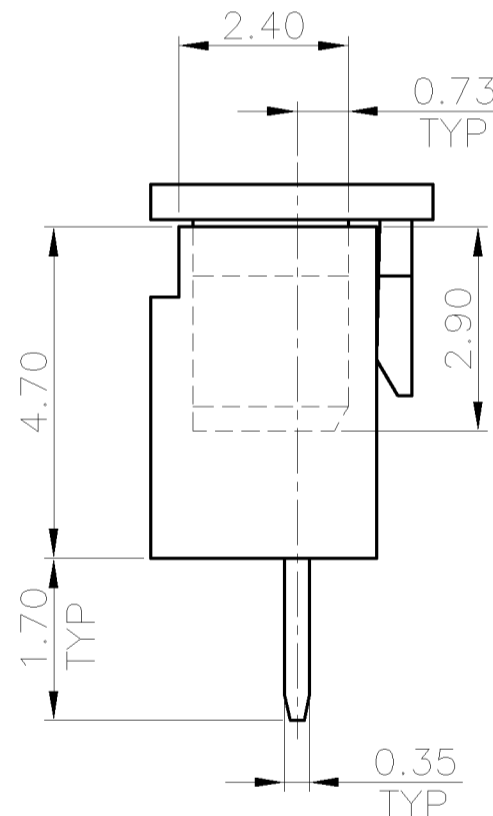
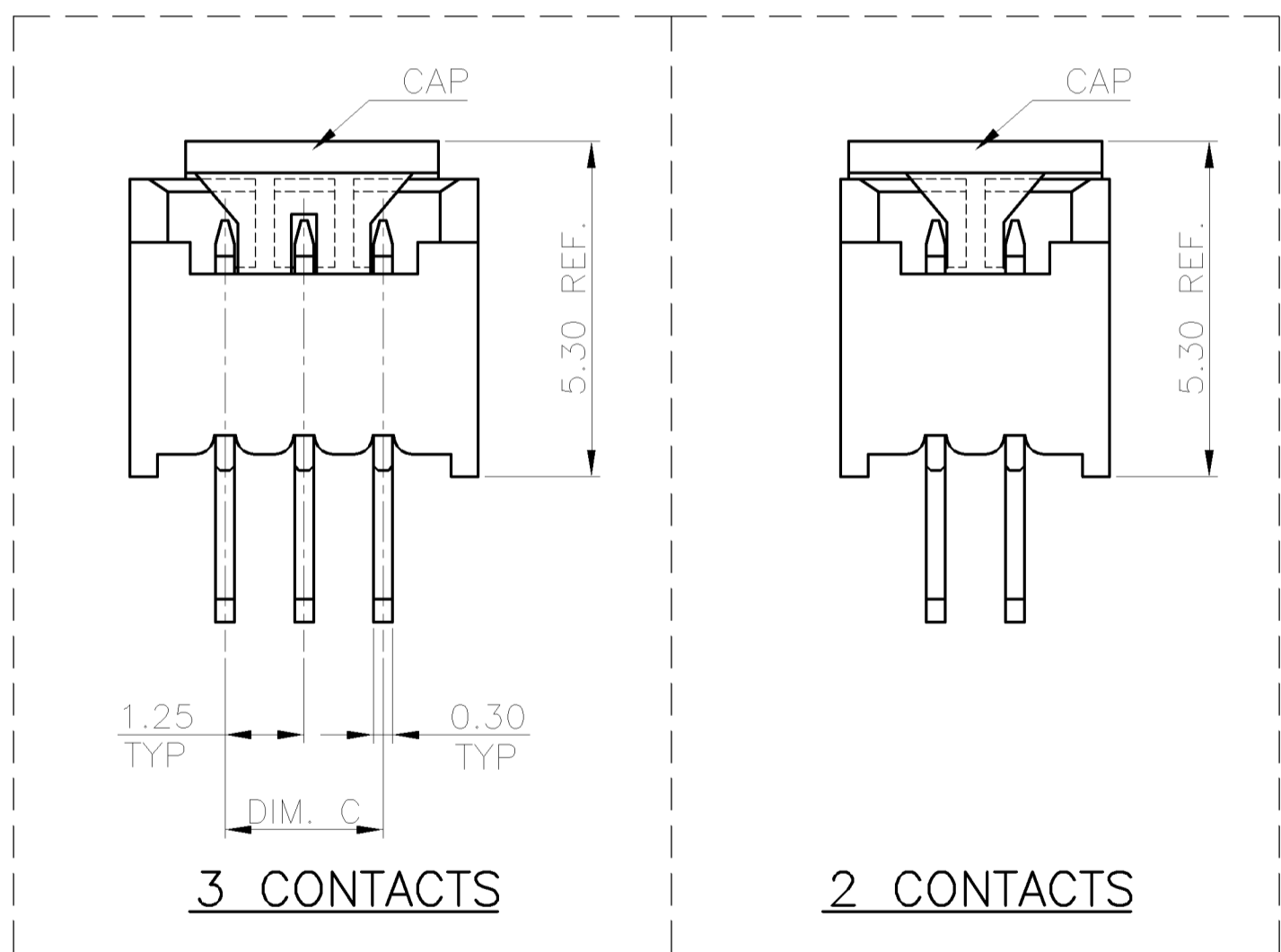
LOC DW	DIST /	REVISIONS			
P	LTR	DESCRIPTION	DATE	DWN	APVD
	C	REVISED (ADD DASH P/N)	20JUL'10	JC	WK



RECOMMENDED PCB LAYOUT (THICKNESS = 1.20mm)

NOTE:

- MATERIAL:
HOUSING: THERMOPLASTIC (PA9T) WITH 33% GF, UL 94V-0, NATURAL COLOR.
CAP: THERMOPLASTIC (PA9T) WITH 33% GF, UL 94V-0, BLACK COLOR.
CONTACTS: PHOSPHOR BRONZE.
- FINISH:
CONTACTS: 3.048 μ m[120 μ "] MIN. MATTE-TIN OVER 1.27 μ m[50 μ "] MIN. NICKEL ON ENTIRE CONTACT.
- NO TE LOGO AND DATE CODE ON THE PRODUCT.
- WAVE SOLDER CAPABLE TO 260°C AS TE SPEC. 109-202, CONDITION B.



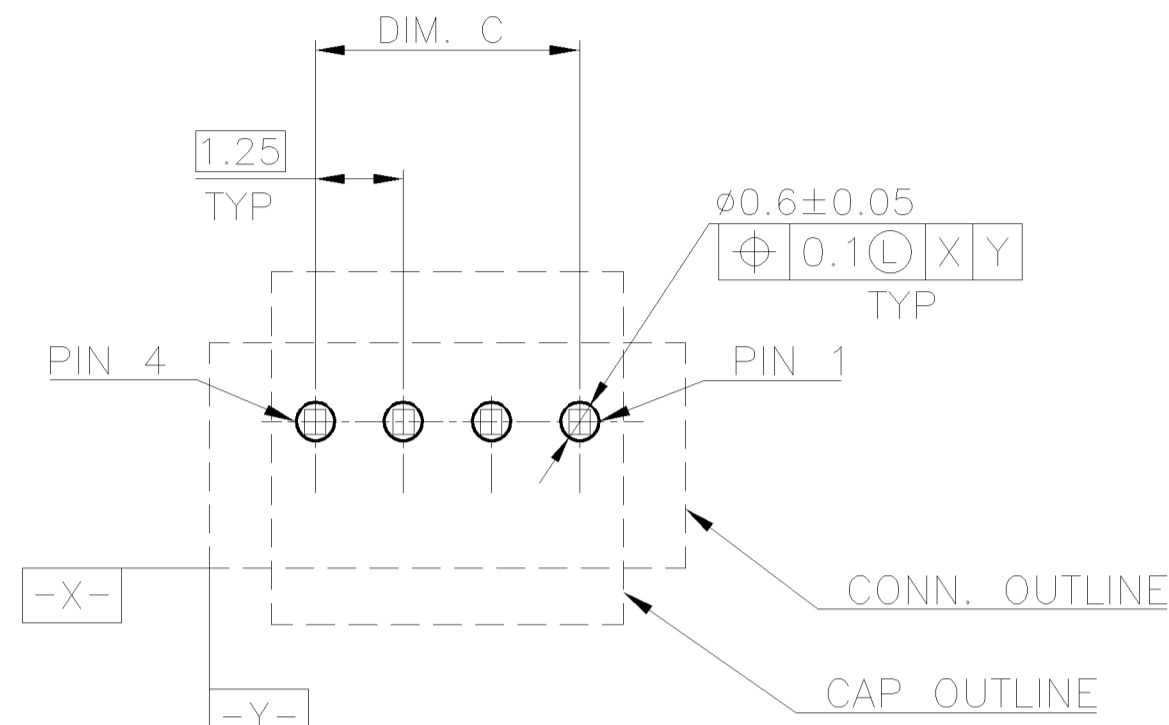
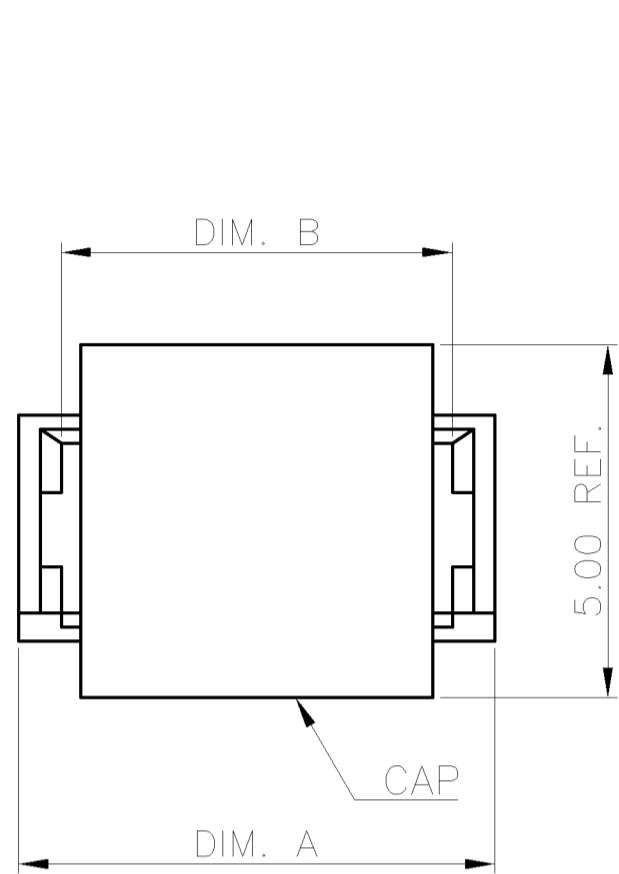
0.15 g	2.50	4.30	5.50	3	1775363-3
0.13 g	1.25	3.05	4.25	2	1775363-2
WEIGHT	C	B	A	NO. OF CONTACTS	PART NUMBER
DIMENSION					

THIS DRAWING IS A CONTROLLED DOCUMENT.		DWN A. WU 29DEC2006	Tyco Electronics Corporation Taipei, Taiwan														
DIMENSIONS: MM		CHK S. HOU 29DEC2006															
TOLERANCES UNLESS OTHERWISE SPECIFIED:		APVD W.J. KE 29DEC2006	NAME														
<table border="0"> <tr><td>0 PLC</td><td>± -</td></tr> <tr><td>1 PLC</td><td>± 0.3</td></tr> <tr><td>2 PLC</td><td>± 0.2</td></tr> <tr><td>3 PLC</td><td>± 0.15</td></tr> <tr><td>4 PLC</td><td>± -</td></tr> <tr><td>ANGLES</td><td>± 3°</td></tr> </table>		0 PLC	± -	1 PLC	± 0.3	2 PLC	± 0.2	3 PLC	± 0.15	4 PLC	± -	ANGLES	± 3°	PRODUCT SPEC 108-57273	1.25 MM PITCH WIRE TO BOARD CONNECTOR, HEADER, DIP, VERTICAL, WITH CAP		
0 PLC	± -																
1 PLC	± 0.3																
2 PLC	± 0.2																
3 PLC	± 0.15																
4 PLC	± -																
ANGLES	± 3°																
MATERIAL SEE NOTE		QUALIFICATION TEST REPORT 501-57299	SIZE A3	CAGE CODE 00779	DRAWING NO C=1775363												
FINISH SEE NOTE		WEIGHT SEE TABLE	RESTRICTED TO														
CUSTOMER DRAWING			SCALE -	SHEET 1 OF 4	REV C												

LOC DW DIST

REVISIONS

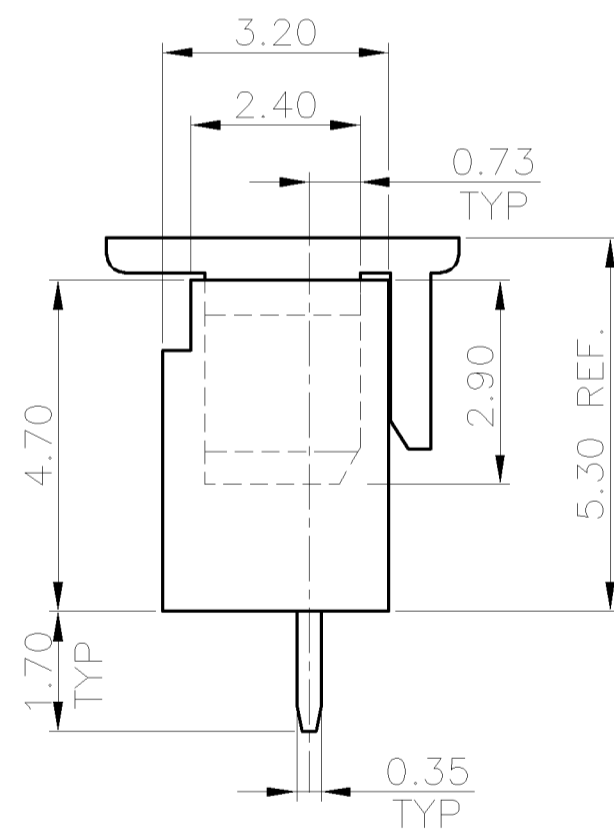
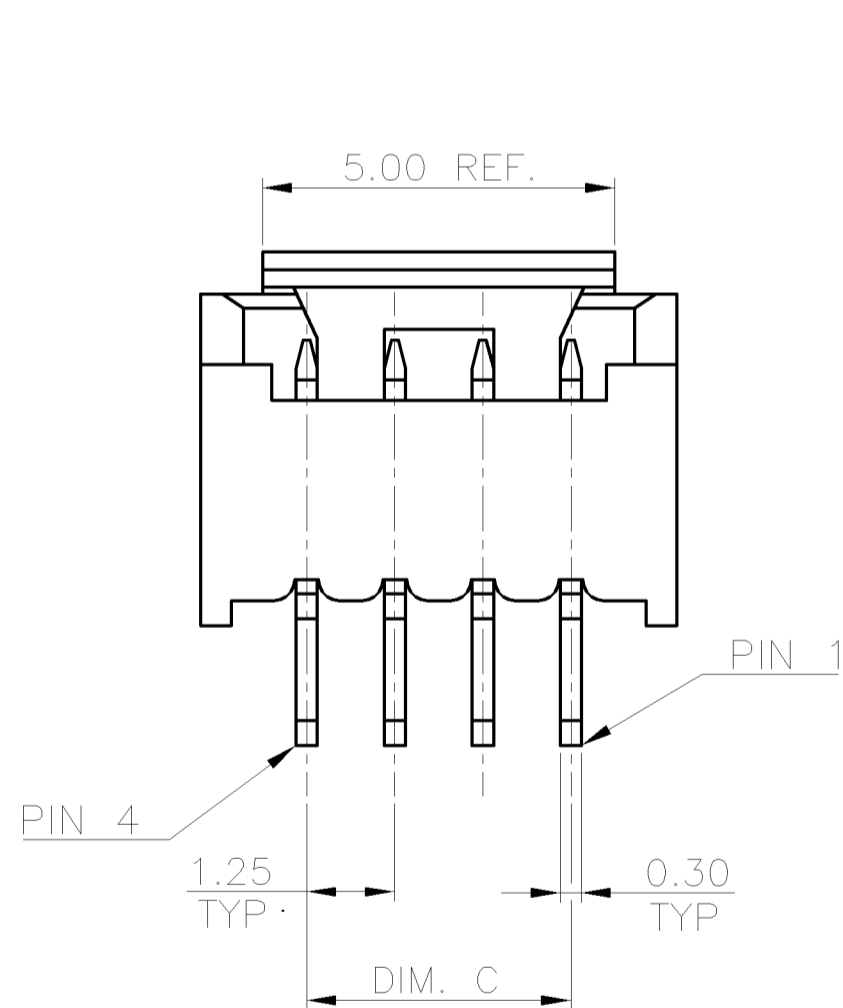
P	LTR	DESCRIPTION	DATE	DWN	APVD
		SEE SHEET 1.			



RECOMMENDED P.C.B LAYOUT (THICKNESS=1.20mm) TOLERANCE±0.05mm

NOTE:

- MATERIAL:
HOUSING: THERMOPLASTIC (PA9T) WITH 30% GF, UL 94V-0, NATURAL COLOR.
CAP: THERMOPLASTIC (LCP) WITH 30% GF, UL 94V-0, BLACK COLOR.
CONTACTS: PHOSPHOR BRONZE.
- FINISH:
CONTACTS: 3.048µm[120µ"] MIN. MATTE-TIN OVER
1.27µm[50µ"]MIN. NICKEL ON ENTIRE CONTACT.
- NO TE LOGO AND DATE CODE ON THE PRODUCT.
- WAVE SOLDER CAPABLE TO 260°C AS TE SPEC. 109-201, CONDITION B.

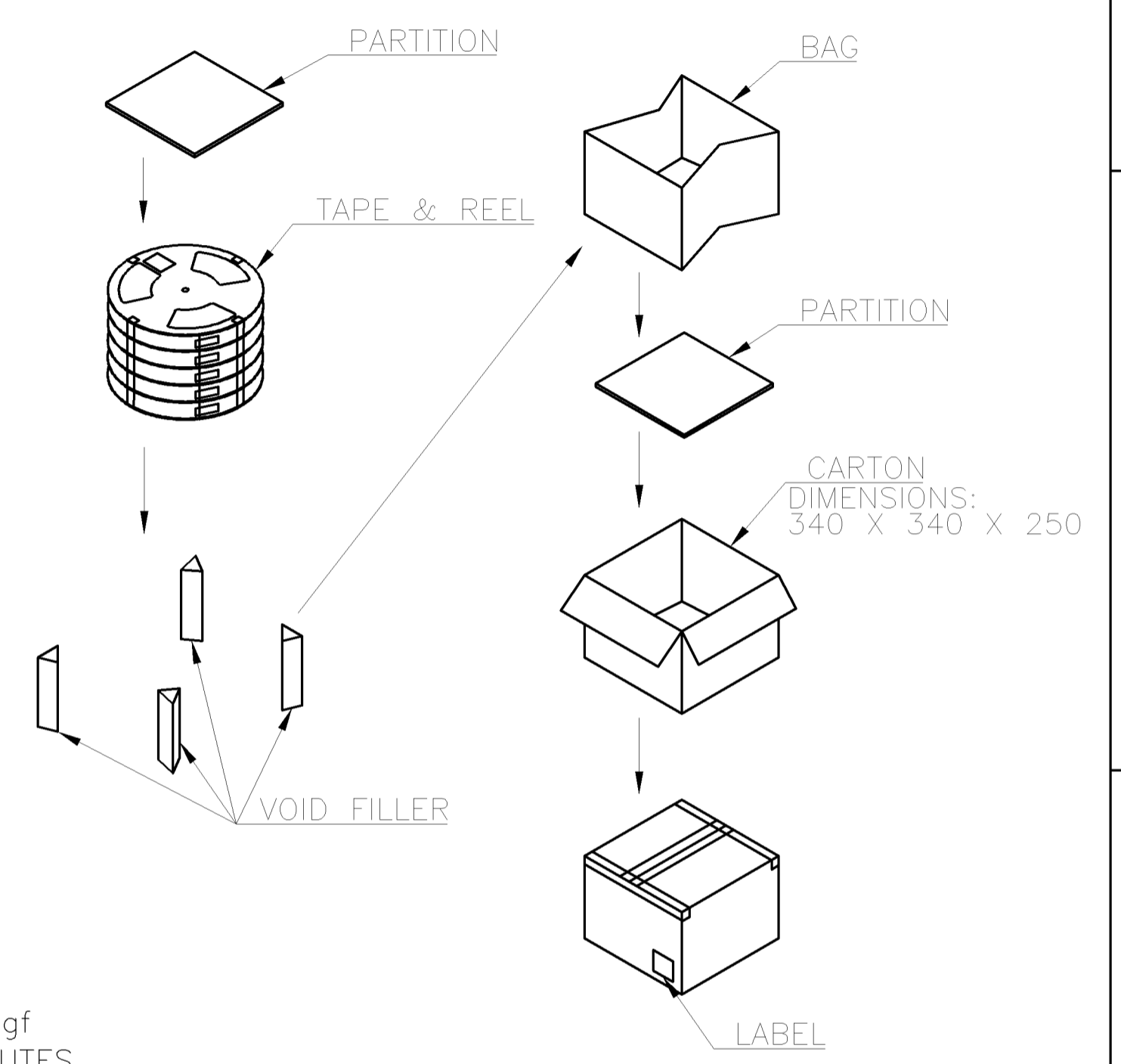
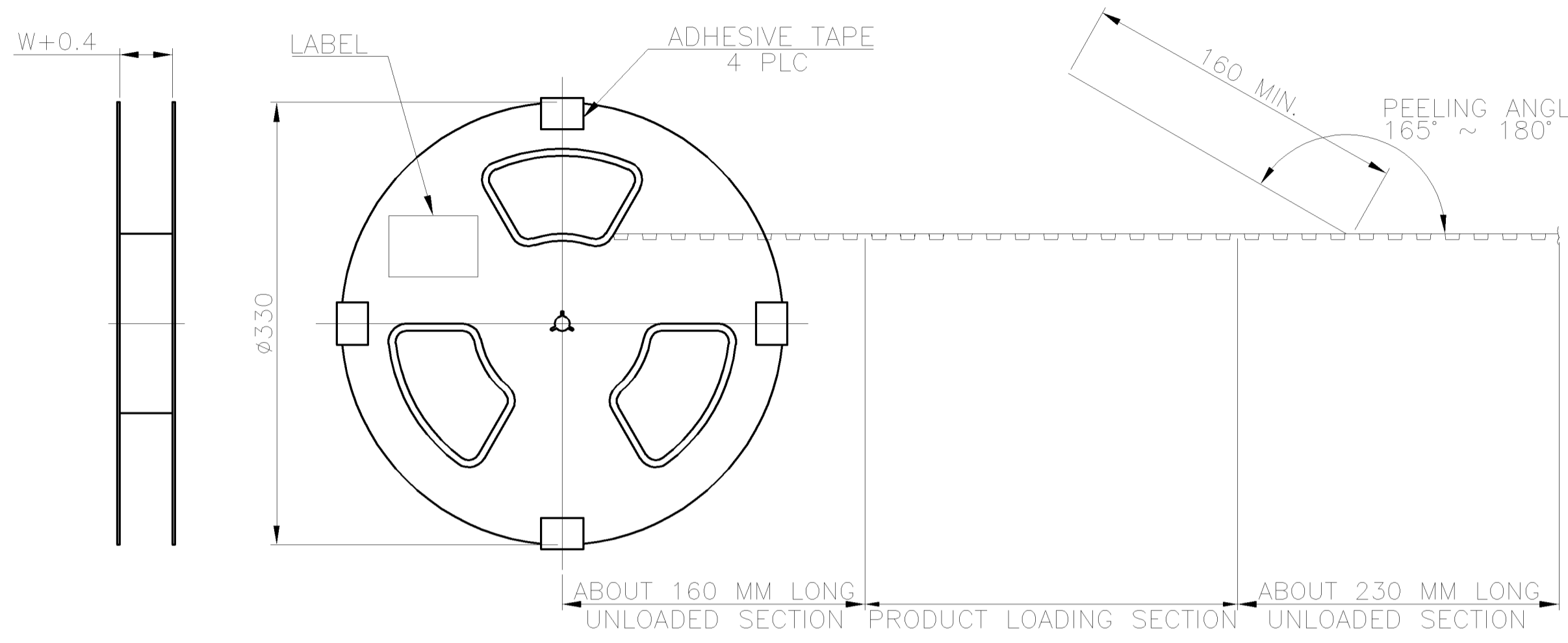


0.16 g	3.75	5.55	6.75	4	1775363-4
WEIGHT	DIMENSION			NO. OF CONTACTS	PART NUMBER

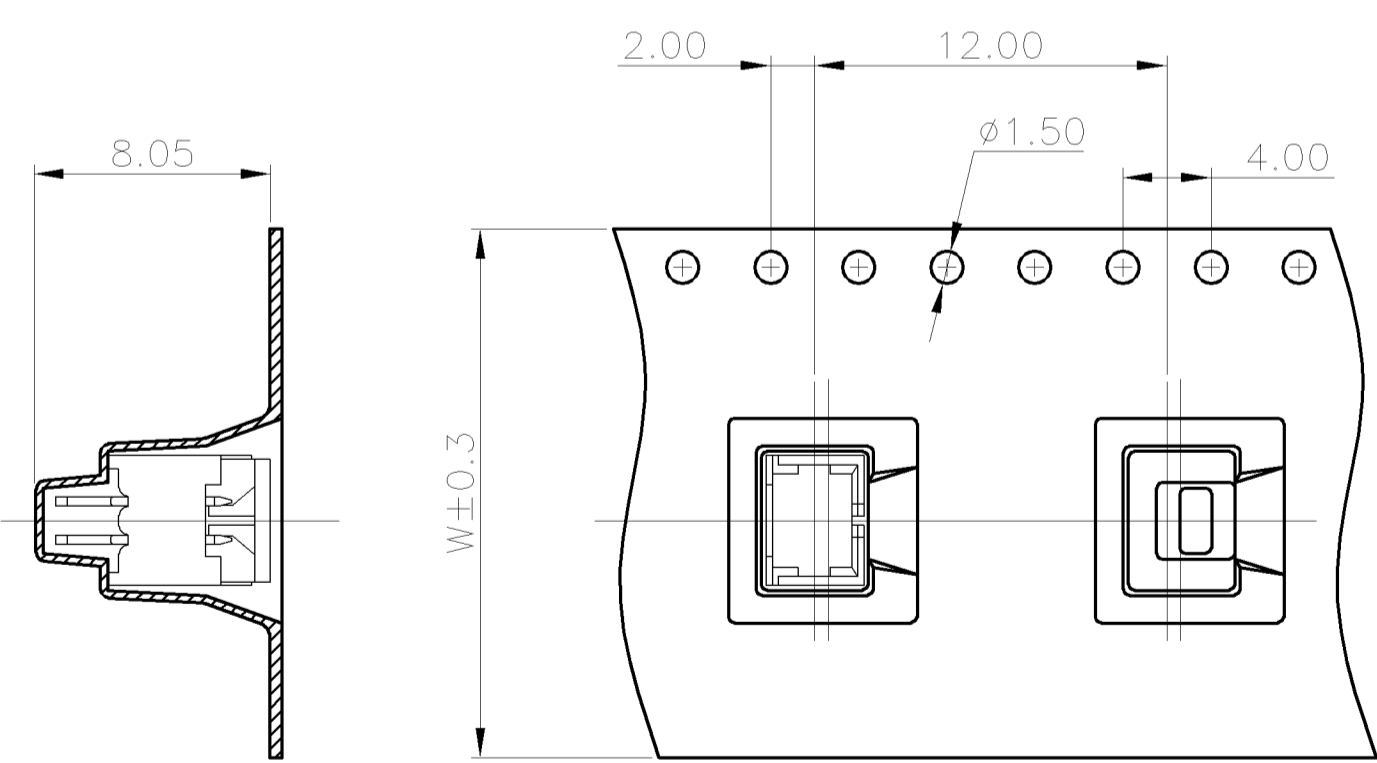
THIS DRAWING IS A CONTROLLED DOCUMENT.		DWN	Tyco Electronics Corporation Taimei, Taiwan															
DIMENSIONS: MM		CHK	NAME															
TOLERANCES UNLESS OTHERWISE SPECIFIED:		APVD	1.25 MM PITCH WIRE TO BOARD CONNECTOR, HEADER, DIP, VERTICAL, WITH CAP															
<table border="1"> <tr><td>0 PLC</td><td>± -</td></tr> <tr><td>1 PLC</td><td>± 0.3</td></tr> <tr><td>2 PLC</td><td>± 0.2</td></tr> <tr><td>3 PLC</td><td>± 0.15</td></tr> <tr><td>4 PLC</td><td>± -</td></tr> <tr><td>ANGLES</td><td>± 3°</td></tr> </table>		0 PLC	± -	1 PLC	± 0.3	2 PLC	± 0.2	3 PLC	± 0.15	4 PLC	± -	ANGLES	± 3°	PRODUCT SPEC	SIZE	CAGE CODE	DRAWING NO	RESTRICTED TO
0 PLC	± -																	
1 PLC	± 0.3																	
2 PLC	± 0.2																	
3 PLC	± 0.15																	
4 PLC	± -																	
ANGLES	± 3°																	
MATERIAL SEE NOTE		QUALIFICATION TEST REPORT	A3	00779	G=1775363	-												
FINISH SEE NOTE		WEIGHT SEE TABLE	CUSTOMER DRAWING		SCALE -	SHEET 2 OF 4 REV C												

THIS DRAWING IS UNPUBLISHED. RELEASED FOR PUBLICATION AUG ,2006.
 © COPYRIGHT BY TYCO ELECTRONICS CORPORATION. ALL RIGHTS RESERVED.

LOC DW	DIST /	REVISIONS		
P	LTR	DESCRIPTION	DATE	DWN APVD
		SEE SHEET 1.		



PULL OUT DIRECTION →



- NOTE:
 1. PEELING FORCE: 10gf ~ 130gf
 2. PEELING SPEED: 300mm/MINUTES.

700	7	4900	24	4.56	0.74	3	1775363-3
				4.46	0.64	2	1775363-2
REELS/CARTON	REELS/CARTON	QUANTITY	DIM W	G/W (KG)	N/W (KG)	NO. OF CONTACTS	PART NUMBER

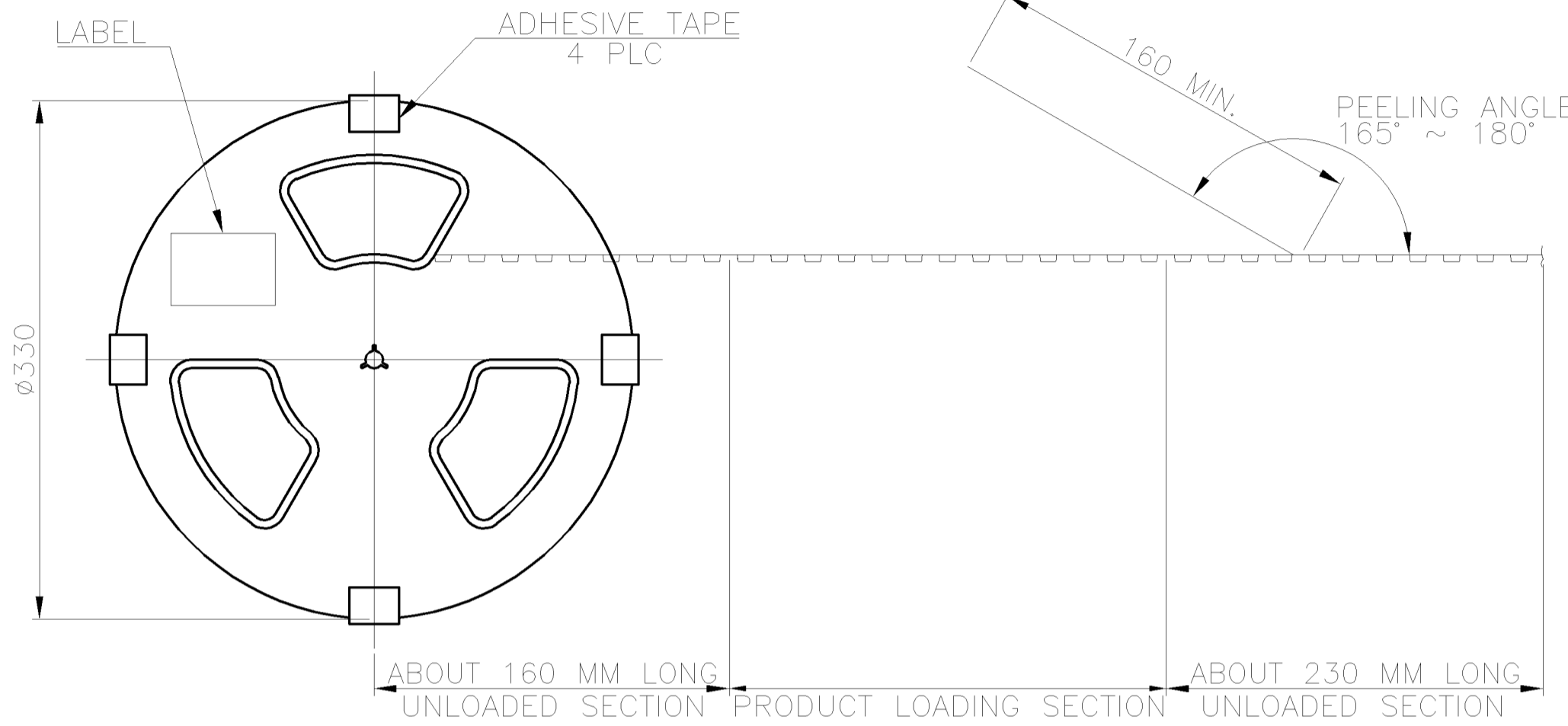
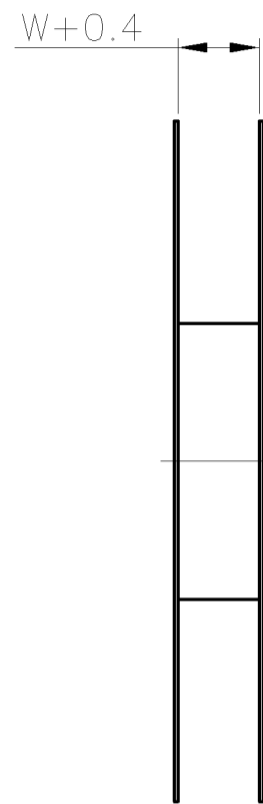
THIS DRAWING IS A CONTROLLED DOCUMENT.		DWN	Tyco Electronics Corporation Taimei, Taiwan				
DIMENSIONS: MM		CHK	NAME				
TOLERANCES UNLESS OTHERWISE SPECIFIED:		APVD	1.25 MM PITCH WIRE TO BOARD CONNECTOR, HEADER, DIP, VERTICAL, WITH CAP				
0 PLC ± -		PRODUCT SPEC	SIZE	CAGE CODE	DRAWING NO	RESTRICTED TO	
1 PLC ± -		QUALIFICATION TEST REPORT	A300779 C-1775363			-	
2 PLC ± -		WEIGHT	CUSTOMER DRAWING				
3 PLC ± -			SCALE	SHEET	3 OF 4	REV C	
4 PLC ± -							
ANGLES ± -							
FINISH							

THIS DRAWING IS UNPUBLISHED. RELEASED FOR PUBLICATION AUG ,2006.

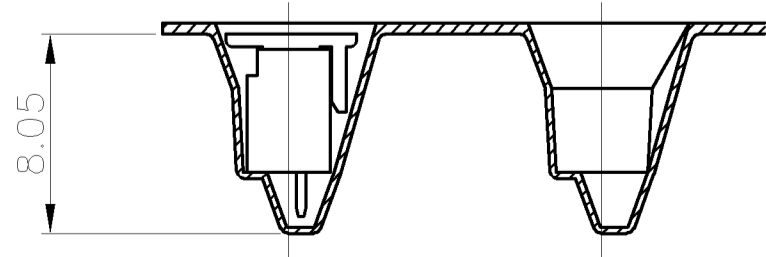
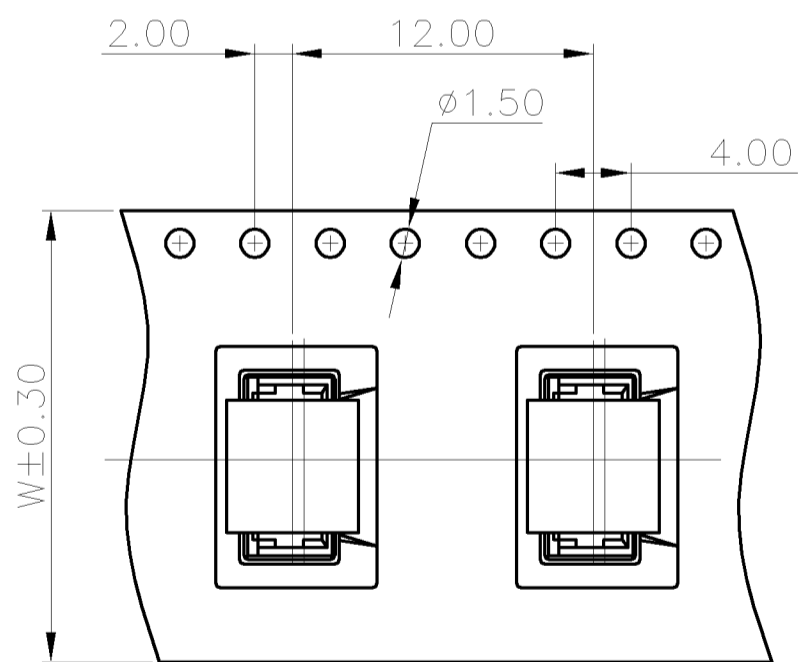
© COPYRIGHT - BY TYCO ELECTRONICS CORPORATION. ALL RIGHTS RESERVED.

LOC DW DIST

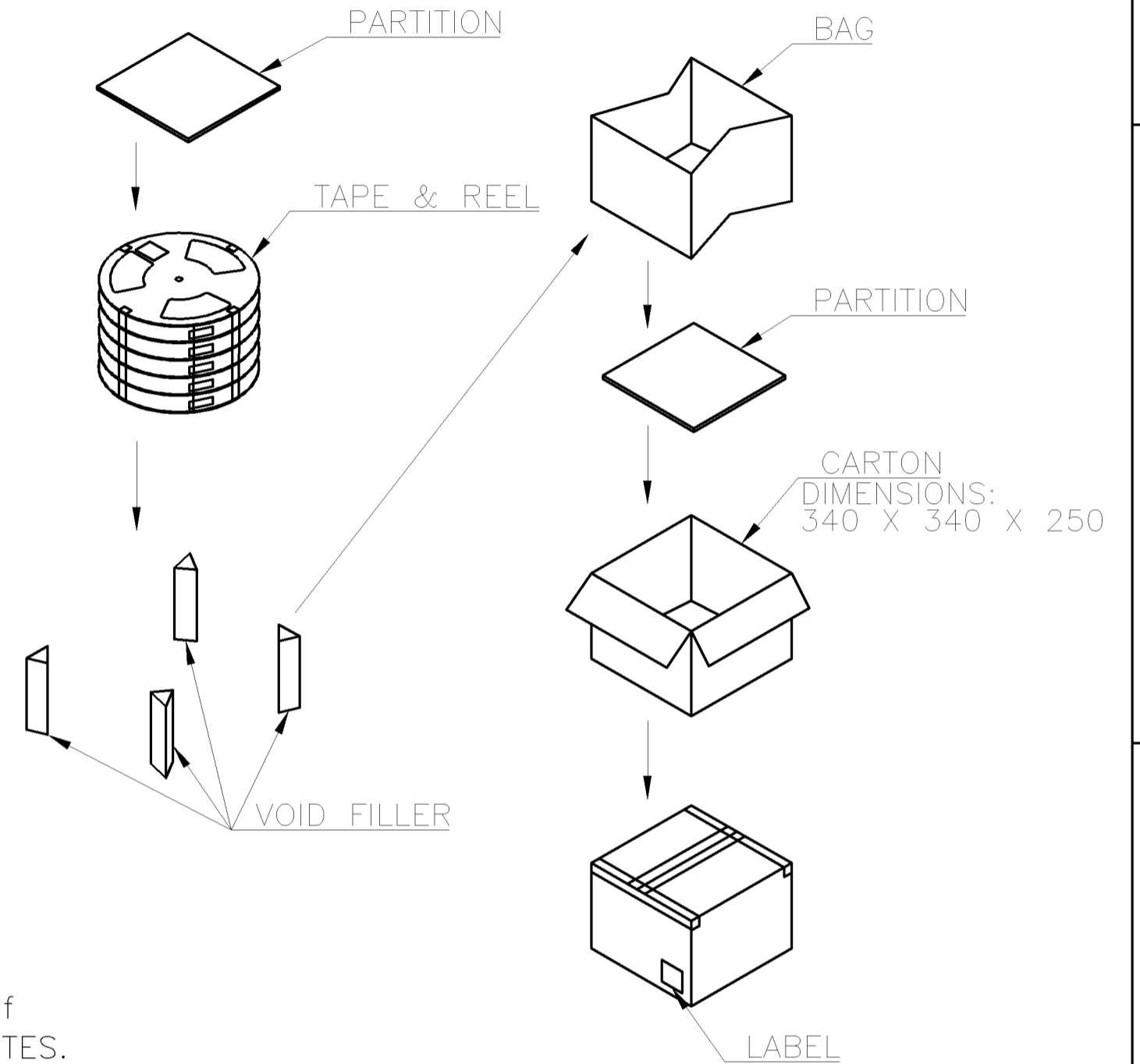
P		LTR	DESCRIPTION	DATE	DWN	APVD
			SEE SHEET 1.			



PULL OUT DIRECTION



- NOTE:
1. PEELING FORCE: 10gf ~ 130gf
 2. PEELING SPEED: 300mm/MINUTES.



700	7	4900	24	5.00	0.79	4	1775363-4
REELS/CARTON	REELS/CARTON	QUANTITY	DIM W	G/W (KG)	N/W (KG)	NO. OF CONTACTS	PART NUMBER

THIS DRAWING IS A CONTROLLED DOCUMENT.		DWN	Tyco Electronics Corporation Taimei, Taiwan				
DIMENSIONS: MM		CHK	NAME				
TOLERANCES UNLESS OTHERWISE SPECIFIED:		APVD	1.25 MM PITCH WIRE TO BOARD CONNECTOR, HEADER, DIP, VERTICAL, WITH CAP				
0 PLC ± -		PRODUCT SPEC	SIZE	CAGE CODE	DRAWING NO	RESTRICTED TO	
1 PLC ± -		QUALIFICATION TEST REPORT	A300779		G=1775363		
2 PLC ± -		WEIGHT	CUSTOMER DRAWING		SCALE	SHEET	REV
3 PLC ± -					-	4 OF 4	C
4 PLC ± -							
ANGLES ± -							
FINISH							