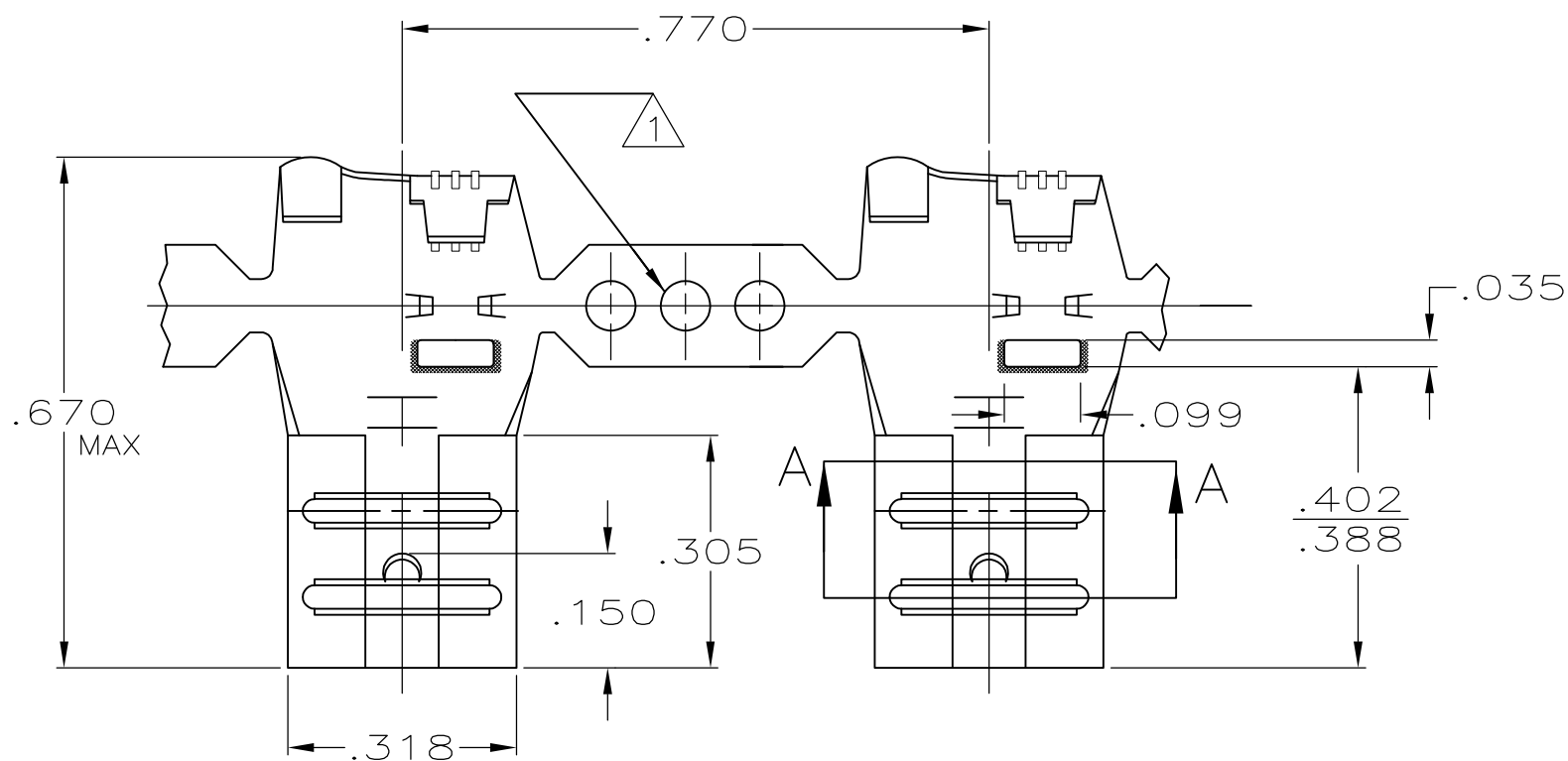
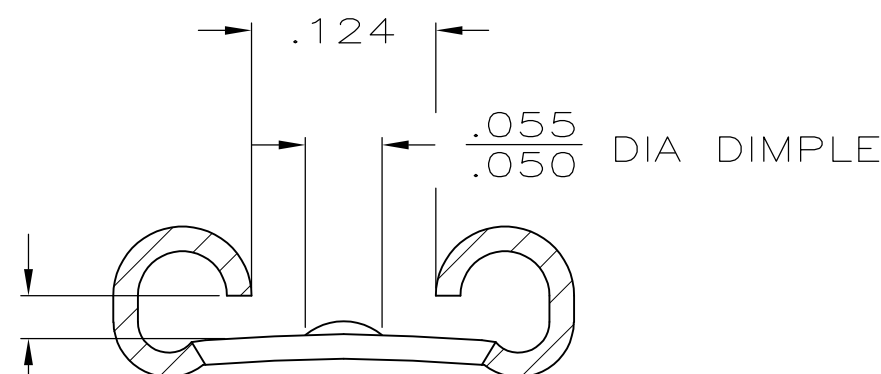


P	LTR	DESCRIPTION	DATE	DWN	APVD
	A1	REVISED PER ECO-012588	05AUG13	B.P	D.Z
	A2	REVISED PER ECR-15-012382	20AUG15	L.P	T.D



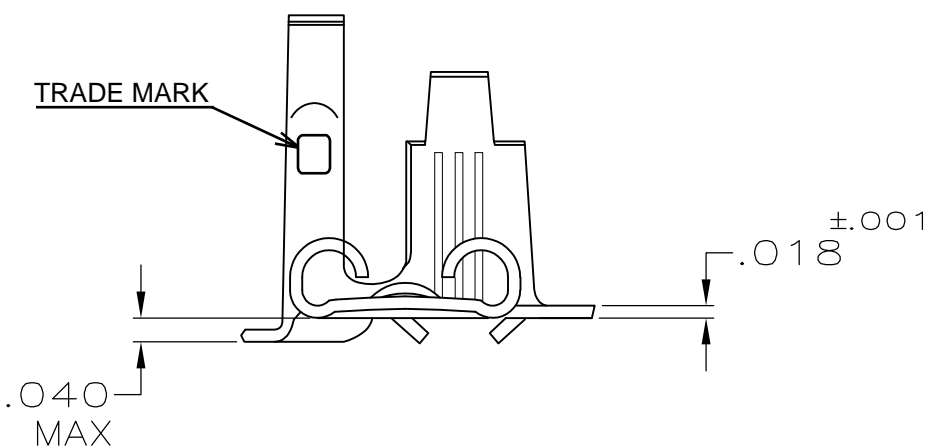
1 SINGLE OR DOUBLE PILOT HOLE OPTIONAL

2 NOT RECOMMEND FOR AIR CONDITION COMPRESSOR INTERNAL USE



FITS .250 SERIES FASTON TAB

SECTION A-A
SCALE 8:1



3000PCS/REEL	.110-.210	18-12	.032	2232111-3
4000PCS/REEL	.110-.210	18-12	.032	2232111-1
PACKING QUANTITY	INSULATION RANGE	WIRE SIZE	MATING TAB	PART NO
THIS DRAWING IS A CONTROLLED DOCUMENT.		DWN B.P	TE Connectivity	
DIMENSIONS: INCHES		CHK F.M		
TOLERANCES UNLESS OTHERWISE SPECIFIED:		APVD Yuhong.Mao	NAME RECEPTACLE, FASTON, FLAG, .250 SERIES	
0 PLC ± - 1 PLC ± - 2 PLC ± - 3 PLC ± .015 4 PLC ± - ANGLES ± -		PRODUCT SPEC -	SIZE CAGE CODE DRAWING NO RESTRICTED TO	
MATERIAL TEMP 4M BRASS	FINISH TIN	APPLICATION SPEC -	A3 00779 C= 2232111	
		WEIGHT -	CUSTOMER DRAWING SCALE 4:1 SHEET 1 OF 1 REV A2	