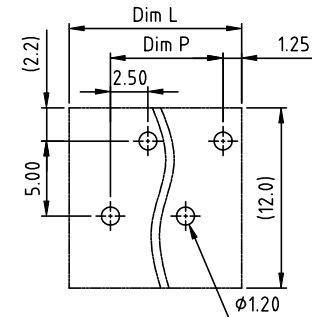
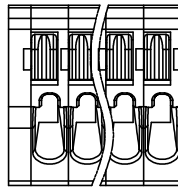


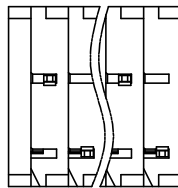
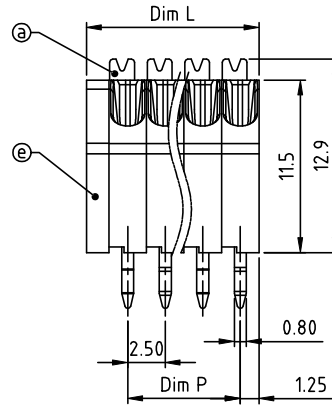
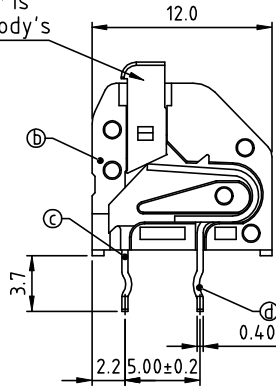


PRODUCT NUMBER	PITCH
HCxxB0x000J0G	2.50mm



RECOMMENDED P.C.B LAYOUT TOP VIEW

The color of lever is consistent with body's



Material:

- Item①Insulator(lever):Thermoplastic (UL94V-0)
- Item②Insulator(housing):Thermoplastic (UL94V-0)
- Item③Side contact pin: PhBz.Tin plated
- Item④Center contact pin: PhBz.Tin plated
- Item⑤Side Cover:Thermoplastic (UL94V-0)

- Electrical:
- | | | |
|-----------------------------|-----------------|------------------------|
| cULus | CQC | TUV |
| ●Voltage rating: | 300V | 300V 150V |
| ●Current rating: | 2A | 2A 2A |
| ●Wire range: | | 0.2-0.5mm ² |
| ●Solid wire(AWG): | 20-26 | 20 |
| ●Stranded wire(AWG): | 20-26 | 20 |
| ●Wire strip length: | 8.5-10.0mm | |
| ●Withstanding Voltage: | 1.6KV | 2.5KV 2.5KV |
| ●Operating temperature: | -40°C to +115°C | |
| ●The soldering temperature: | 260°C±5°C/5 Sec | |
| ●Safety Approval: | | |

A

A

N=Number of poles
 Dim L=Nx2.5+1.5
 Dim P=(N-1)x2.5

Poles	Tolerance
2p/4p/6p/8p	±0.20
10p/12p	±0.30
14p/16p/18p	±0.40
20p/22p/24p	±0.50

PART NO.: HC xx B0 x 000J0 G

		Body Color	RoHS compliant
No. of poles	0	Black (RAL9005)	(lead<4%)
End Stackable	2	Red (RAL3001/D)	In copper Alloy
02	2 poles	3 Orange(RAL2011/P)	
04	4 poles	4 Yellow(RAL1018/A)	
...	...	5 Green(RAL6018/T)	
24	24 poles	6 Blue (RAL5015/A)	
		8 Grey(RAL7004/P)	
		9 White(RAL1102)	
		C Multiple colors	

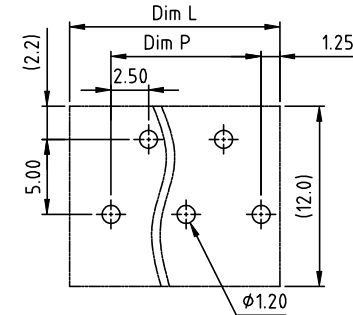
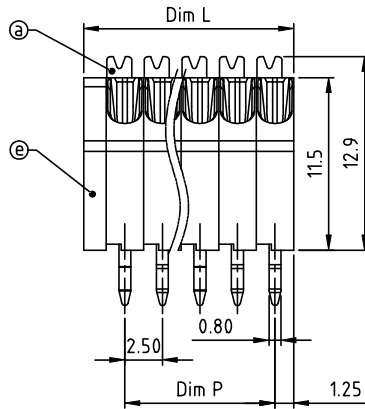
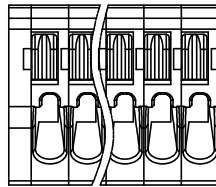
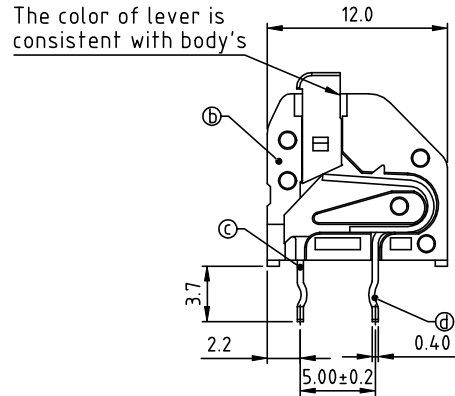
mat'l. code		surface	tolerance	projection	product family
		ASME Y14.5	ASME Y14.5		TERMINAL BLOCK
ltr	ecn no	dr	date	title	
				TERMINAL BLOCK	
				scale	SPRING CLAMP,45D WIRE INLET,WITH LEVER,EVEN POLES
					dwg no
					sheet 1 of 2 size
					HCxxB0x000J0G
					A4
					type
					CUSTOMER Drawing
sheet	revision	A			
index	sheet	1			

B

B



PRODUCT NUMBER	PITCH
HCxxB0x000J0G	2.50mm

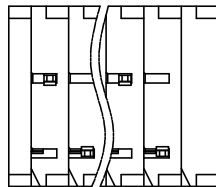


RECOMMENDED P.C.B LAYOUT TOP VIEW

Material:

- Item a Insulator(lever):Thermoplastic (UL94V-0)
- Item b Insulator(housing):Thermoplastic (UL94V-0)
- Item c Side contact pin: PhBz.Tin plated
- Item d Center contact pin: PhBz.Tin plated
- Item e Side Cover:Thermoplastic (UL94V-0)

- Electrical:
- | | | | |
|-----------------------------|-----------------|-------|------------------------|
| | cULus | CQC | TUV |
| ●Voltage rating: | 300V | 300V | 150V |
| ●Current rating: | 2A | 2A | 2A |
| ●Wire range: | | | 0.2-0.5mm ² |
| ●Solid wire(AWG): | 20-26 | 20 | |
| ●Stranded wire(AWG): | 20-26 | 20 | |
| ●Wire strip length: | 8.5-10.0mm | | |
| ●Withstanding Voltage: | 1.6KV | 2.5KV | 2.5KV |
| ●Operating temperature: | -40°C to +115°C | | |
| ●The soldering temperature: | 260°C±5°C/5 Sec | | |
| ●Safety Approval: | | | |



N=Number of poles
 Dim L=Nx2.5+1.5
 Dim P=(N-1)x2.5

Poles	Tolerance
3p/5p	±0.20
7p/9p/11p	±0.30
13p/15p/17p	±0.40
19p/21p/23p	±0.50

PART NO.: HC xx B0 x 000J0 G

- | | | | |
|---------------|----------|---------------------|-----------------|
| | | Body Color | RoHS compliant |
| No. of poles | 0 | Black (RAL9005) | (lead<4%) |
| End Stackable | 2 | Red (RAL3001/D) | In copper Alloy |
| 03 | 3 poles | Orange(RAL2011/P) | |
| 05 | 5 poles | 4 Yellow(RAL1018/A) | |
| ... | ... | 5 Green(RAL6018/T) | |
| 23 | 23 poles | 6 Blue (RAL5015/A) | |
| | | 8 Grey(RAL7004/P) | |
| | | 9 White(RAL1102) | |
| | | C Multiple colors | |

mat'l. code		surface ASME Y14.5	tolerance ASME Y14.5	projection 	product family TERMINAL BLOCK
ltr	ecn no	dr	date	title TERMINAL BLOCK	
tolerances unless otherwise specified				MM	SPRING CLAMP,4SD WIRE INLET,WITH LEVER,ODD POLES
angles		X.±0.5		scale	sheet 2 of 2 size
X'±1"		X.X±0.3			HCxxB0x000J0G
X'XX±0.1		X.XX±0.1			A4
dr	EVIN ZHONG	052314			CUSTOMER Drawing
enr	EVIN ZHONG	052314			
chr	HANKE FENG	052314			
appd	SHI JUN	052314			
sheet index	revision sheet	A	2		