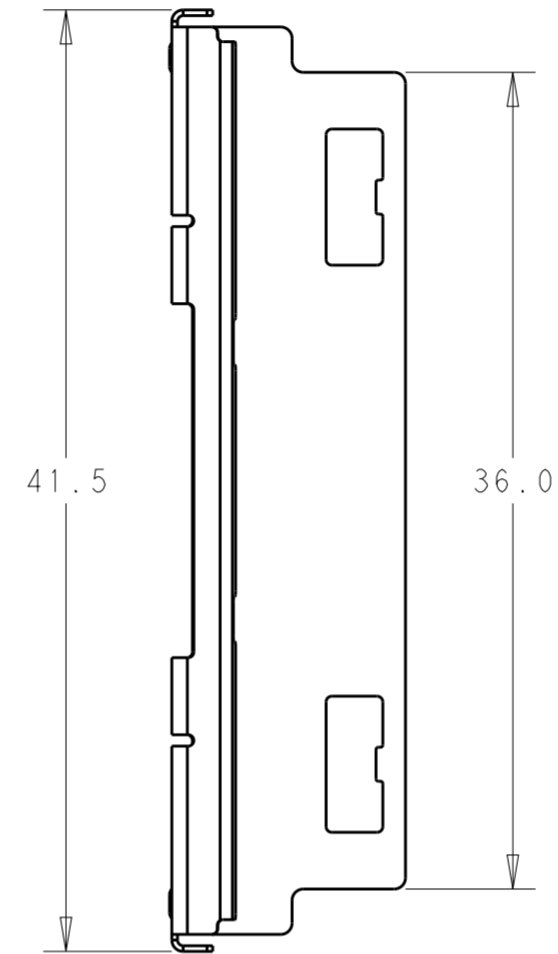
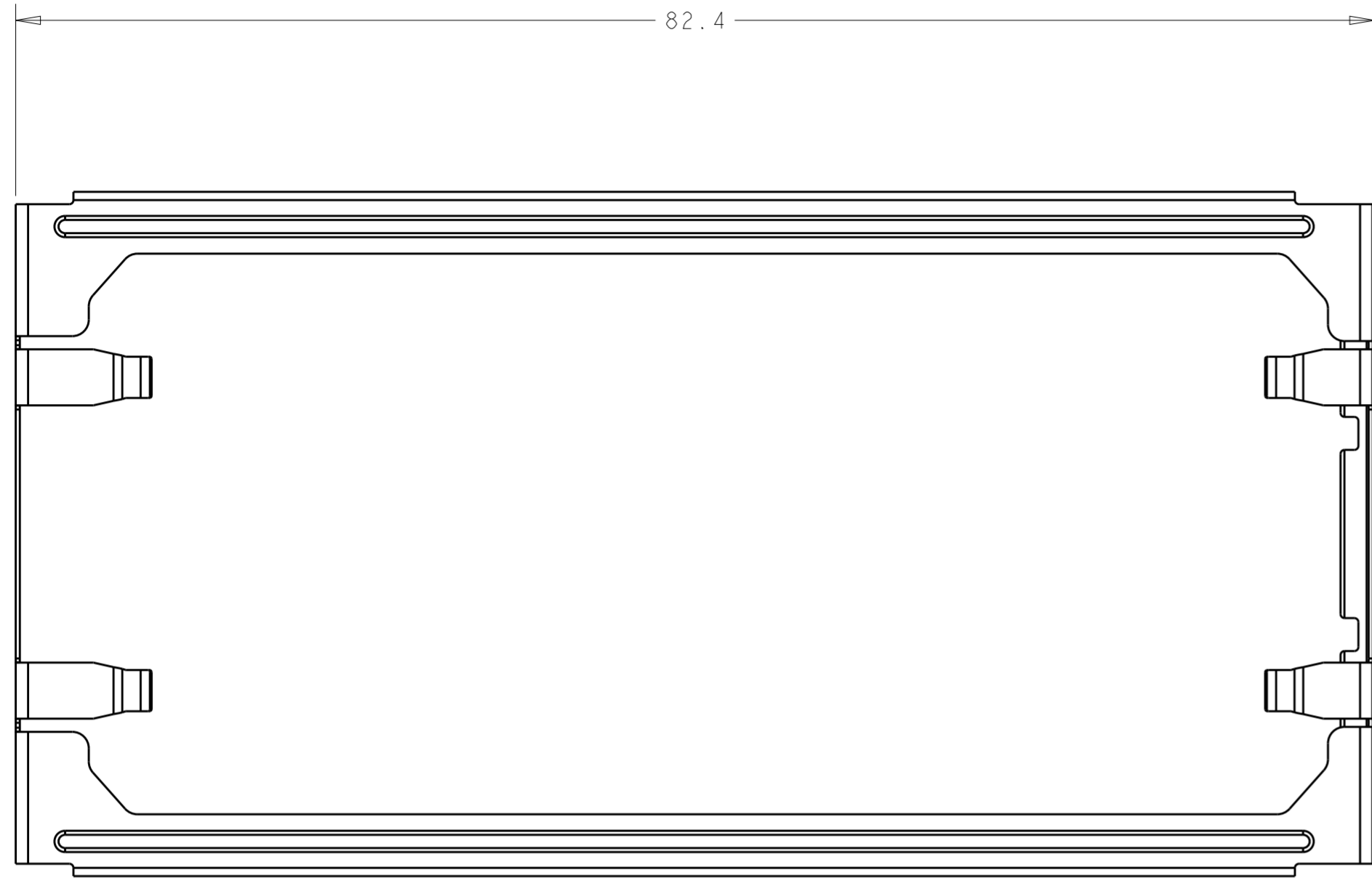
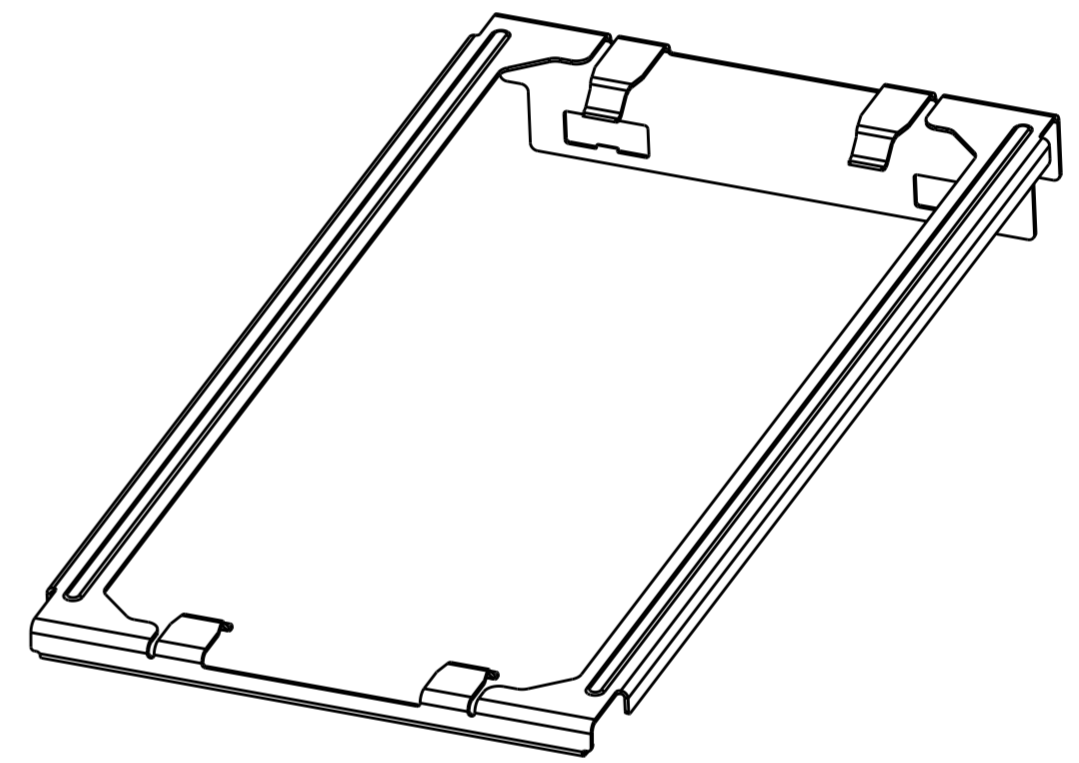


THIS DRAWING IS UNPUBLISHED. RELEASED FOR PUBLICATION 20
 © COPYRIGHT 20 BY - ALL RIGHTS RESERVED.

REVISIONS				
P	LTR	DESCRIPTION	DATE	APVD
A		INITIAL RELEASE	05JUN2018	AD SH




1 MATERIAL: STAINLESS STEEL
 2 PLATING: PASSIVATE



SCALE 2:1



2288220-2
 PART NUMBER

THIS DRAWING IS A CONTROLLED DOCUMENT.		DWN ANDY XIE 11OCT2016	 TE Connectivity	
DIMENSIONS: mm		CHK SEAN HAN 11OCT2016		
TOLERANCES UNLESS OTHERWISE SPECIFIED:		APVD SEAN HAN 11OCT2016	NAME HEAT SINK CLIP CFP2	
0 PLC ±	1 PLC ±0.30	PRODUCT SPEC	SIZE	CAGE CODE
2 PLC ±0.25	3 PLC ±0.15	APPLICATION SPEC	A2	-
4 PLC ±	ANGLES ±	WEIGHT	DRAWING NO	RESTRICTED TO
MATERIAL	FINISH	CUSTOMER DRAWING	C-2288220	-
		SCALE 1:1	SHEET 1 OF 1	REV A