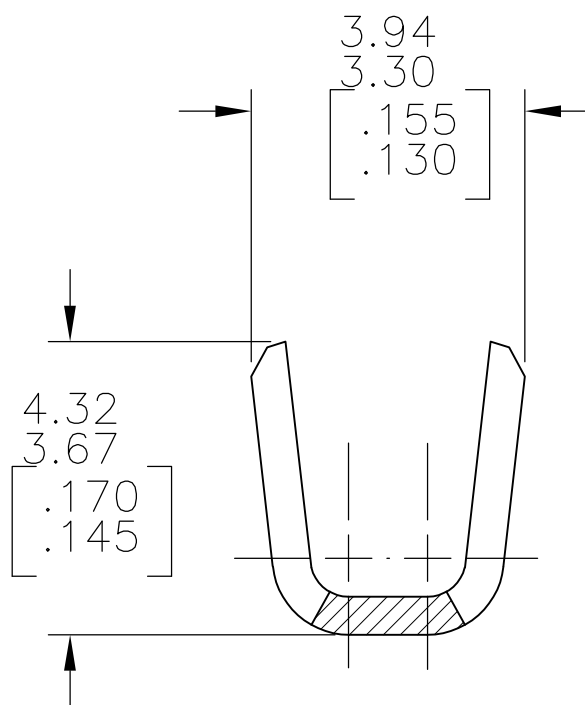
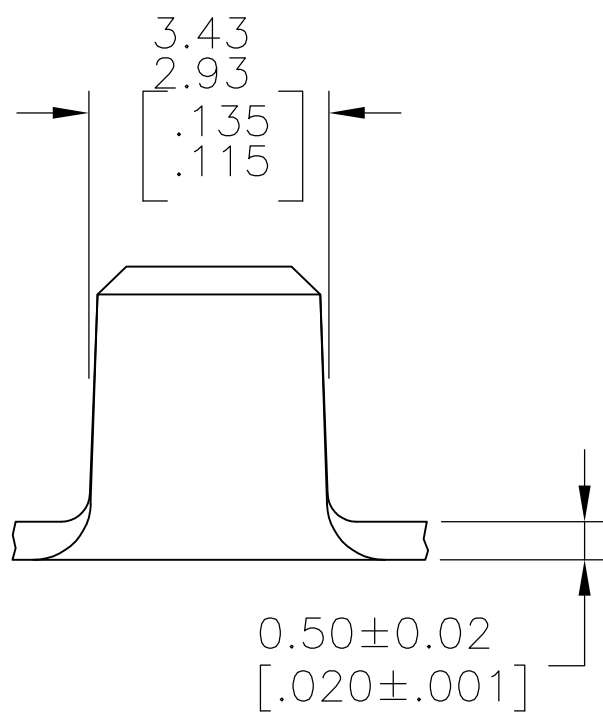
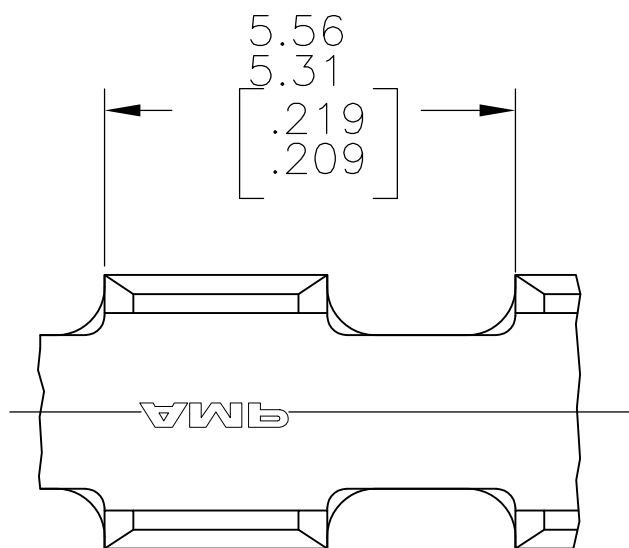


THIS DRAWING IS UNPUBLISHED. RELEASED FOR PUBLICATION
 © COPYRIGHT BY TYCO ELECTRONICS CORPORATION. ALL INTERNATIONAL RIGHTS RESERVED.

LOC	DIST	REVISIONS					
AF	50	P	LTR	DESCRIPTION	DATE	DWN	APVD
			L1	REVISED PER ECR-11-001036	21JAN11	HMR	GJ



- 1 PRODUCT PROVIDED IN STRIP FORM ON REELS; BREAKS MAY BE PRESENT.
- 2 WIRE RANGE FOR NEW APPLICATIONS : 1.27–2.38mm² [2500–4700 CMA] (WIRE RANGE APPROVED FOR APPLICATIONS IMPLEMENTED PRIOR TO 2005: 2048–4217 CMA).
- 3 CRIMP WIDTH: 3.05[.120] F TYPE. CRIMP HEIGHT IN INCHES (±.002)=(TOTAL CMA OF WIRES+12240/220000).

2	NONE	BRASS	60932-4
	TIN	STEEL	60932-2
WIRE SIZE CMA	FINISH	MATERIAL	PART NO.

THIS DRAWING IS A CONTROLLED DOCUMENT.		DWN DK SCHRUM 5/18/89	Tyco Electronics Corporation Harrisburg, PA 17105-3608	
DIMENSIONS: mm [INCHES]		CHK JR RUTH 7/13/89	NAME	
TOLERANCES UNLESS OTHERWISE SPECIFIED:		APVD D SCHWENK 7/13/89	SPLICE	
0 PLC ± -		PRODUCT SPEC	-	
1 PLC ± -		APPLICATION SPEC	-	
2 PLC ± 0.25[.010]		114-2088	SIZE	CAGE CODE
3 PLC ± -		WEIGHT -	A3	00779
4 PLC ± -		CUSTOMER DRAWING	DRAWING NO	RESTRICTED TO
ANGLES ± -			G-60932	-
MATERIAL SEE TABLE	FINISH SEE TABLE	SCALE 10:1	SHEET 1 OF 1	REV L1