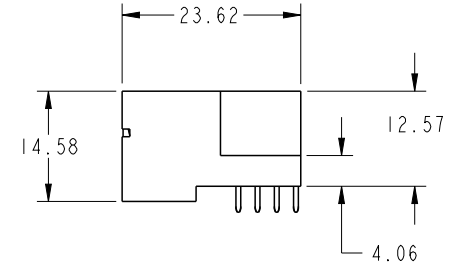
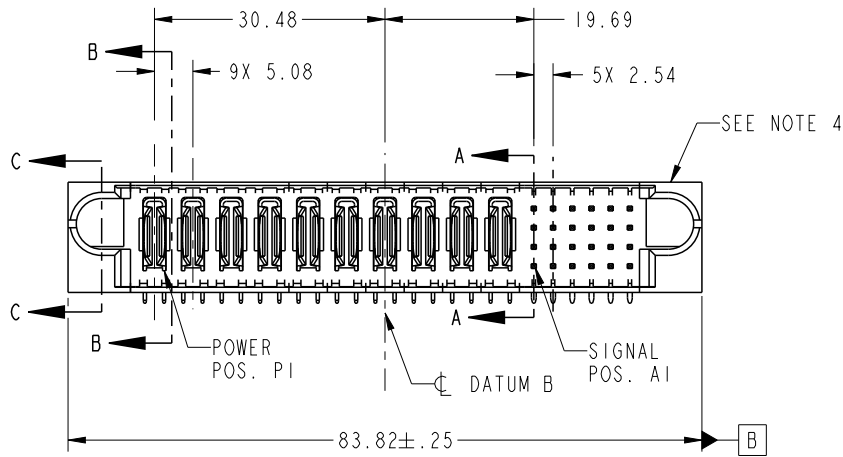


| | | | | | | | | | | | | | | | | | | | |
|------------------------|------------------|-------|----|----|----|----|----|----|----|----|----|--------|--------|--------|--------|--------|--------|--------|----|
| PRODUCT NO. | ROWS | POWER | | | | | | | | | | SIGNAL | | | | | | | |
| | | E1 | P1 | P2 | P3 | P4 | P5 | P6 | P7 | P8 | P9 | P10 | 1 | 2 | 3 | 4 | 5 | 6 | E2 |
| 51939-660_- NOTE: 3 | D C B A | | PA | PA | PA | PA | PA | PA | PA | PA | PA | PA | UUUUUU | UUUUUU | UUUUUU | UUUUUU | UUUUUU | UUUUUU | |



| CODE | DIM "M" MATING LENGTH | CONTACT TYPE |
|------|-----------------------|--------------|
| U | [6.86] | SIGNAL |
| T | [6.86] | SIGNAL |
| S | [6.86] | SIGNAL |
| R | [6.86] | SIGNAL |
| PA | [N/A] | POWER |

| | | | | | | | | | | | | |
|---------------|---------------------------------------|-------|-------------|------------|------------------------|----------------|----------|-----------|-----------|-----------|-----|---|
| spec ref | * | dr | Guang, Shi | 2012/04/01 | projection | MM | size | A4 | scale | 1:1 | | |
| tolerance std | TOLERANCES UNLESS OTHERWISE SPECIFIED | eng | X Q Wang | 2012/08/08 | | | ecn no | - | | | | |
| | | chr | - | - | | | | | | | | |
| surface | linear | 0.X | ±0.50 | FCI | title | product family | PwrBlade | rel level | Released | | | |
| | | 0.XX | ±0.25 | | | | | | 10P + 24S | 51939-660 | rev | A |
| | | 0.XXX | ±0.10 | | | | | | | | | |
| angular | 0° | ±2° | www.fci.com | cat. no. | Product - Customer Drw | sheet 1 of 4 | | | | | | |

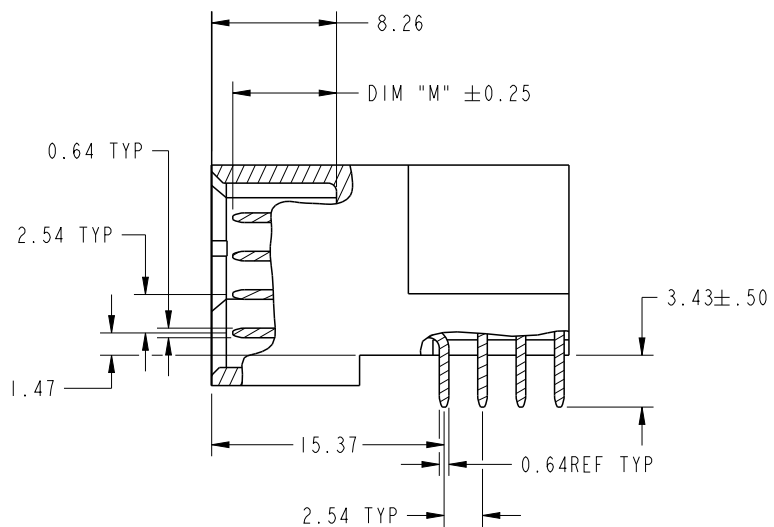


Copyright FCI.

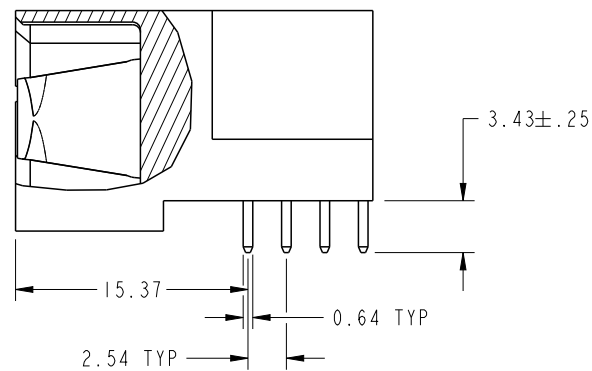
PrdE File - REV C - 2009-06-09

PRODUCT NUMBER

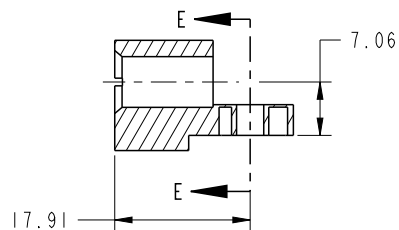
51939-660__
NOTE: 3



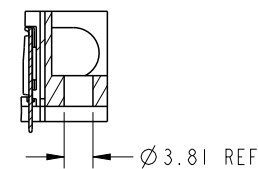
BROKEN-OUT SECTION A-A
SCALE 2:1



BROKEN-OUT SECTION B-B
SCALE 2:1



SECTION C-C

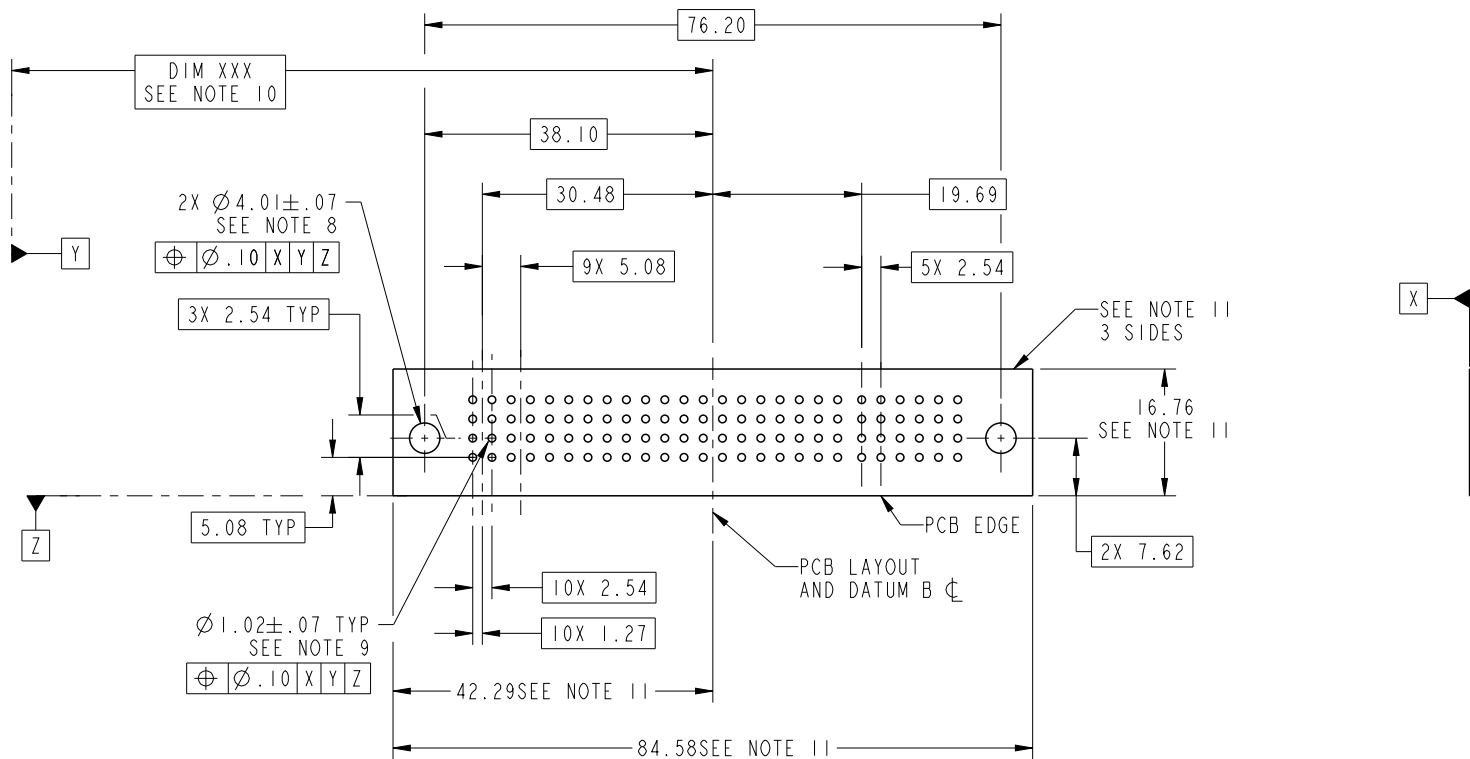


PARTIAL SECTION E-E

| | | | | | | | | | |
|------|----------------|--|----------------|--------------|-----------|-------------|----------|------------------------|--------------|
| dr | Guang, Shi | 2012/04/01 | projection | MM ←————→ | size | A4 | scale | 1:1 | |
| eng | X Q Wang | 2012/08/08 | | | ecn no | - | | | |
| chr | - | - | | | rel level | Released | | | |
| appr | Pei-Ming Zheng | 2012/08/10 | product family | PwrBlade | rev | A | | | |
| | title | 10P + 24S RIGHT ANGLE SOLDER HEADER | | dwg no | 51939-660 | www.fci.com | cat. no. | Product - Customer Drw | sheet 2 of 4 |

PRODUCT NUMBER

51939-660__
NOTE: 3



RECOMMENDED PCB LAYOUT

| | | | | | | | | |
|-------------|----------------|------------|--|----------|--------------|-----------|--------------|-----|
| dr | Guang, Shi | 2012/04/01 | projection | MM | size | A4 | scale | 1:1 |
| eng | X Q Wang | 2012/08/08 | | | ecn no | - | | |
| chr | - | - | | | rel level | Released | | |
| appr | Pei-Ming Zheng | 2012/08/10 | product family | PwrBlade | rev | A | | |
| | | title | 10P + 24S RIGHT ANGLE SOLDER HEADER | | dwg no | 51939-660 | sheet 3 of 4 | |
| www.fci.com | | cat. no. | Product - Customer Drw | | sheet 3 of 4 | | | |

PRODUCT NUMBER

51939-660__
NOTE: 3

NOTES:

1. DIMENSIONS AND TOLERANCES ARE IN ACCORDANCE WITH ASME Y14.5M, 1994 UNLESS OTHERWISE SPECIFIED.

CONNECTOR NOTES:

- 2. HOUSING MATERIAL: UL 94 V-0 GLASS FILLED HIGH-TEMP THERMOPLASTIC
POWER CONTACT MATERIAL: COPPER ALLOY
SIGNAL PIN MATERIAL: COPPER ALLOY
 - 3. PLATING:
SEE ITEM 1 & 2 IN PRINT 10064183 FOR PLATING SPEC OF 51939-660; 51939-660LF PRESPECTIVELY
 - 4. MANUFACTURER'S NAME, P/N, AND DATE CODE TO APPEAR ON THIS SURFACE.
 - 5. PRODUCT SPECIFICATION GS-12-149.
APPLICATION SPECIFICATION BUS-20-067.
 - 6. PACKAGED IN TRAYS.
- PCB NOTES:
- 7. ALL HOLE DIAMETERS ARE FINISHED HOLE SIZE.
 - 8. MOUNTING HOLES, WHERE APPLICABLE, ARE UNPLATED.
 - 9. $\varnothing 1.151 \pm 0.025$ DRILLED HOLES PLATED WITH)
0.008 MIN SnPb OR Sn OVER 0.03
TO 0.08 Cu PLATING TO ACHIEVE
 $\varnothing 1.02 \pm .07$ HOLE.
 - 10. "DIM XXX" TO BE DETERMINED BY THE CUSTOMER.
 - 11. CONNECTOR KEEP-OUT ZONE.

A

B

C

D

A

B

C

D



Copyright FCI.

| | | | | | | | | |
|-------------|----------------|--|----------------|----------|--------------|----------|-------|-----|
| dr | Guang, Shi | 2012/04/01 | projection | MM | size | A4 | scale | 1:1 |
| eng | X Q Wang | 2012/08/08 | | | ecn no | - | | |
| chr | - | - | | | rel level | Released | | |
| appr | Pei-Ming Zheng | 2012/08/10 | product family | PwrBlade | rev | A | | |
| | title | 10P + 24S RIGHT ANGLE SOLDER HEADER | | dwg no | 51939-660 | | | |
| www.fci.com | cat. no. | Product - Customer Drw | | | sheet 4 of 4 | | | |