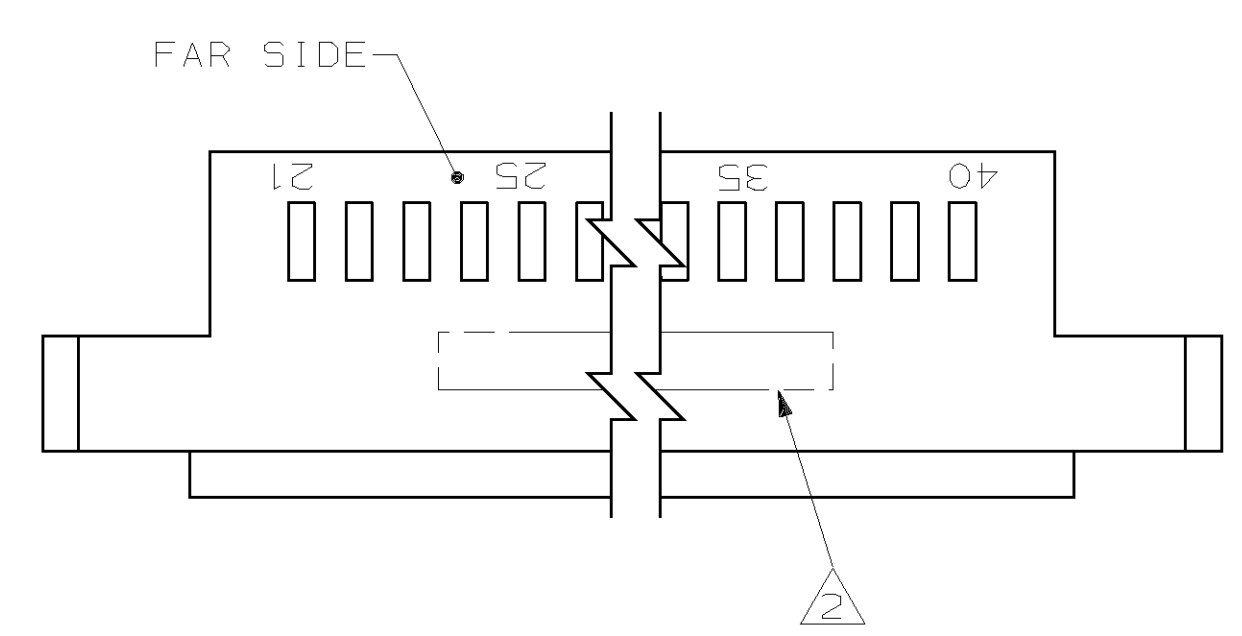
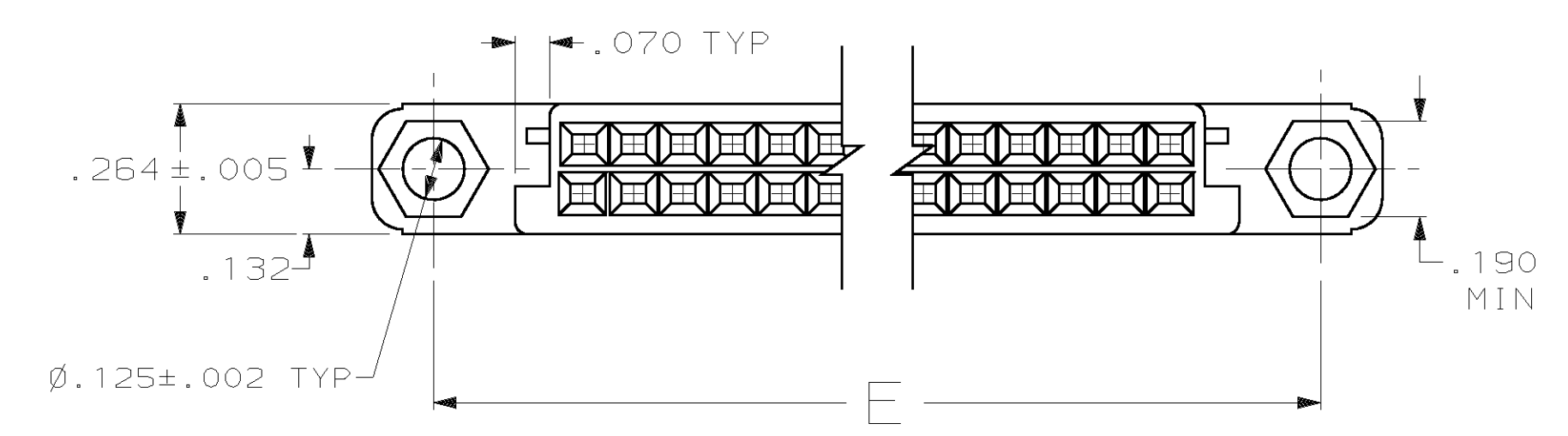
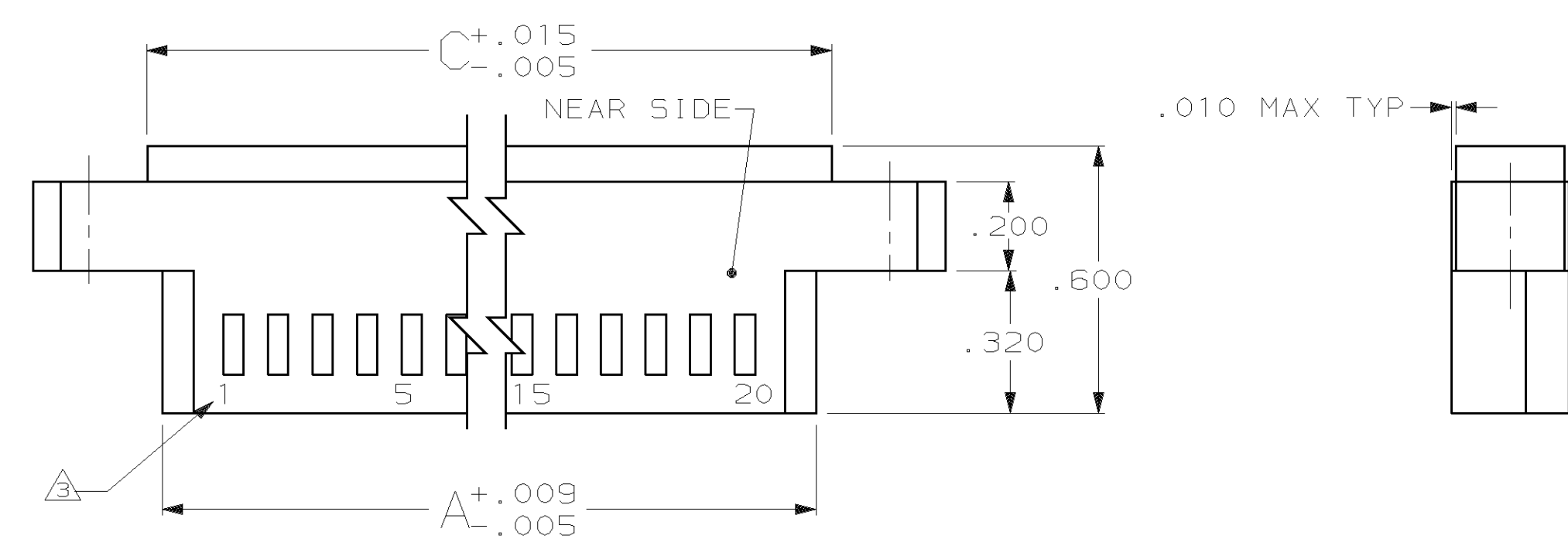
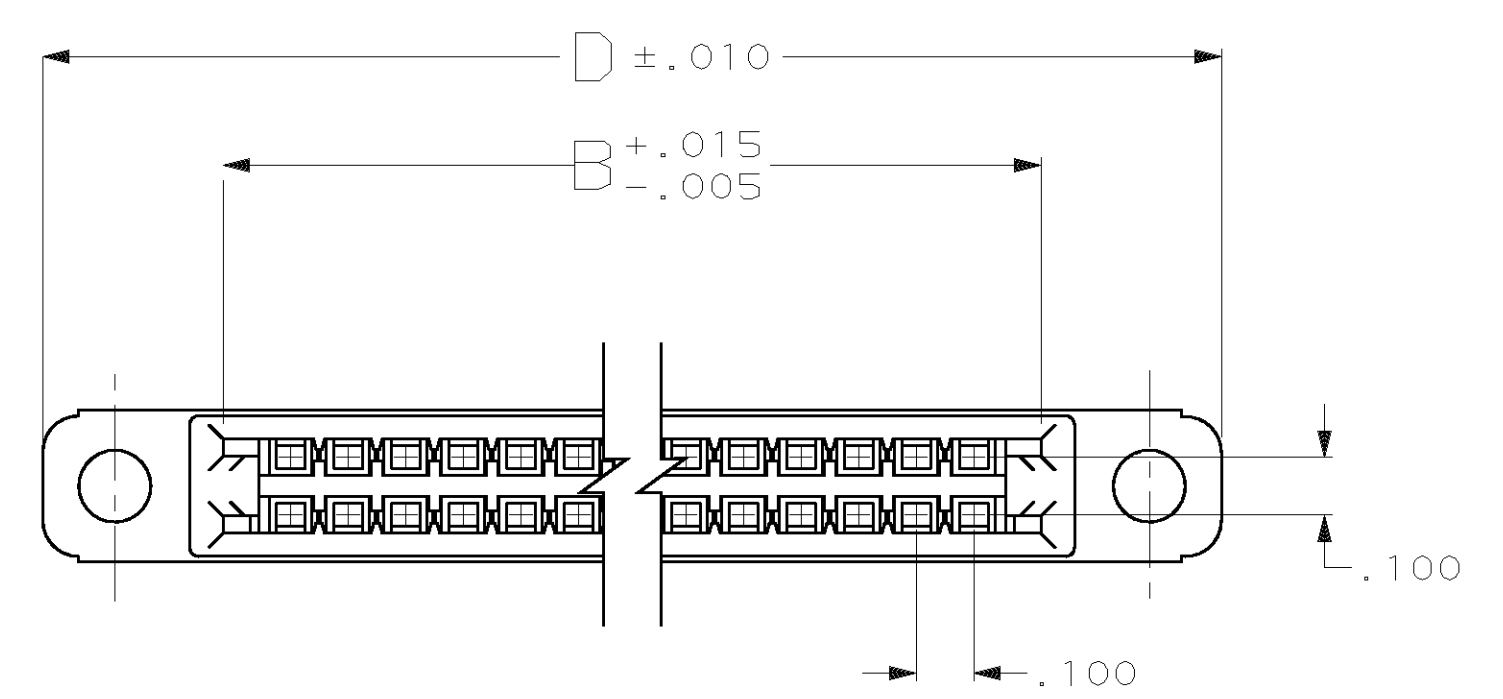
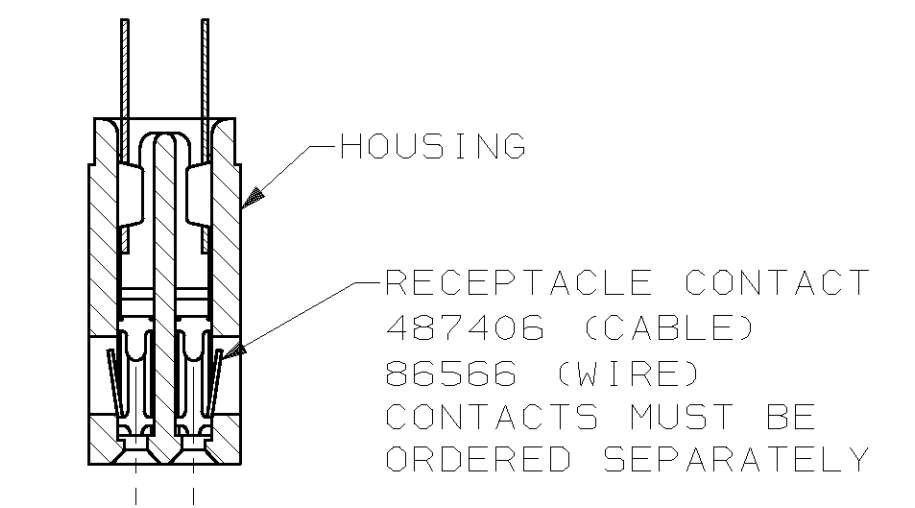


LOC		DIST		P		F		ZONE		LTR		REVISIONS			
GP	00											DESCRIPTION	DATE	APPD	
												L	REVISED PER EC 0513-0390-04	11NOV04	JG



- ① HOUSING WILL ACCOMMODATE FLEXIBLE FLAT CABLE .050 OR .062 WIDE CONDUCTORS ON .100 CENTERS AND/OR 22-24 AWG WIRE WITH INSULATION RANGE .040 TO .056 DIA
- ② AMP PART NO. & DATE CODE INK STAMPED, WHITE, IN AREA AS SHOWN.
- ③ CAVITY INDENT. INK STAMPED, WHITE, BOTH SIDES (SEE TABLE)
- ④ OBSOLETE PART NO.



CRIMPED CONTACTS INSERTED FOR REFERENCE ONLY

④ 1-88013-9	1, 5, 10, 15, 20, 25, 30, 35, 40, 44	45, 50, 55, 60, 65, 70, 75, 80, 85, 88	4.910	5.160	4.650	4.534	4.580	88	④ 2-88013-0
④ 88013-3	20, 15, 10, 5, 1	40, 35, 30, 25, 21	2.510	2.760	2.250	2.134	2.180	40	88013-1
④ 88013-2	1, 5, 10, 15, 20	21, 25, 30, 35, 40	2.510	2.760	2.250	2.134	2.180	40	88013-1
INK STAMPED PART NO.	NEAR SIDE		E	D	C	B	A	NO OF POSN	AS MOLDED PART NO.
	CAVITY POSN NO. STAMPED								

DO NOT SCALE PRINT. UNLESS SPECIFIED DIMENSIONS IN INCHES TOLERANCES ON:	DR 8-15-90 H MÜLLER	AMP INCORPORATED Harrisburg, Pa. 17105
2 PLC DEC ±	CHK 3-3-89 D.L. RÖCKER	
3 PLC DEC ± .005	APPD 3-3-89 G. MILLER	
ANGLES ± -	APPD 3-3-89 W. PARKER	
MATERIAL NYLON FLAME RETARDANT COLOR: BLACK	PRODUCT SPEC -	NAME HOUSING, RCPT, DBL ROW W/MTG EARS, .100¢, FFC
FINISH -	APPLICATION SPEC -	SIZE D
	WEIGHT -	FSCM NO 00779
		DRAWING NO 88013
		SCALE 3:1
		SHEET 1 OF 1