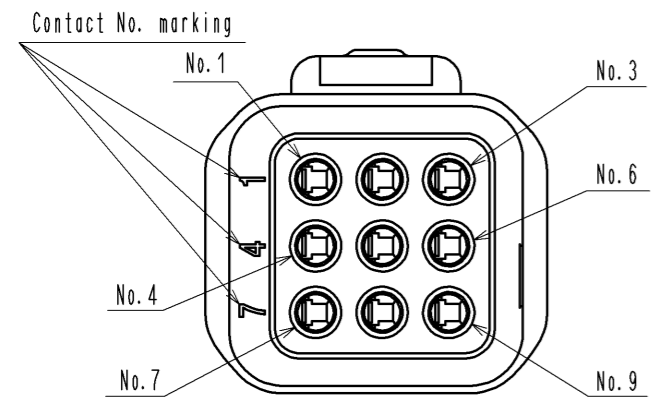
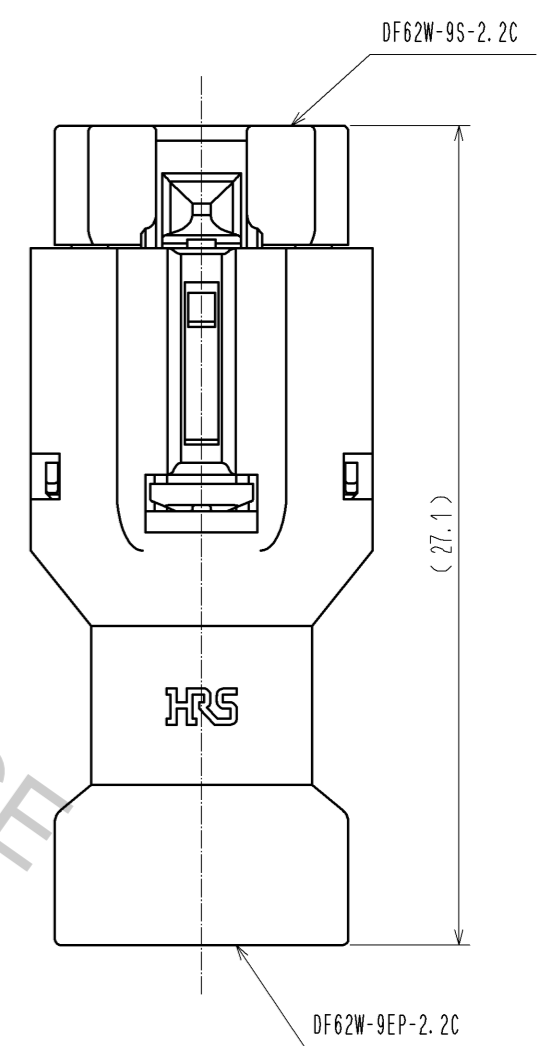
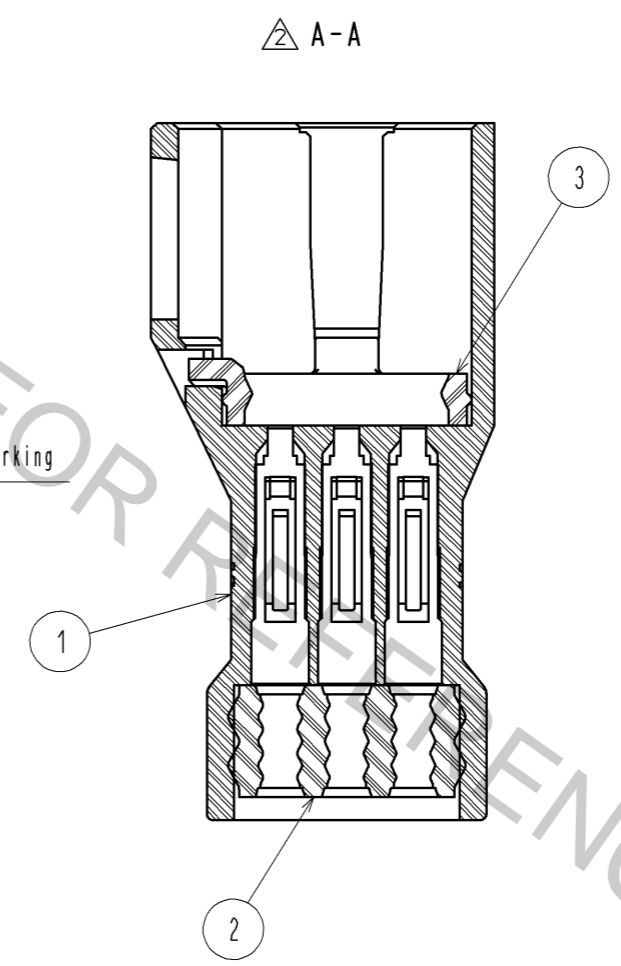
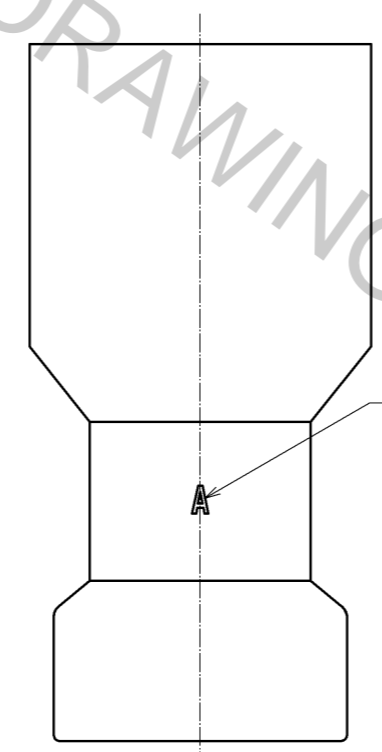
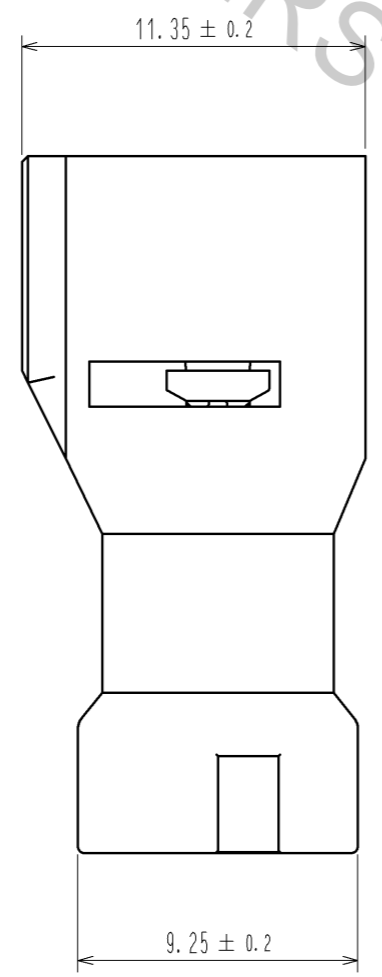
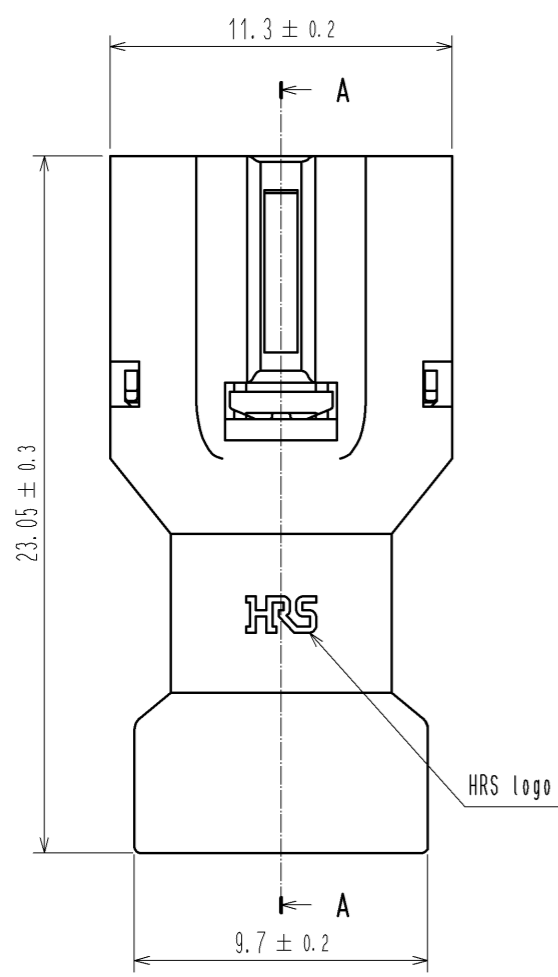
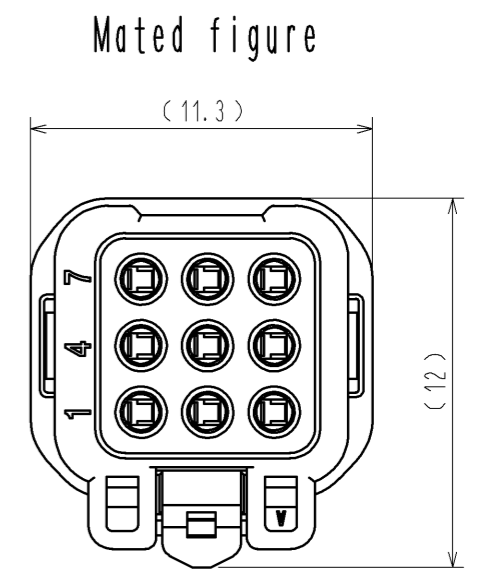
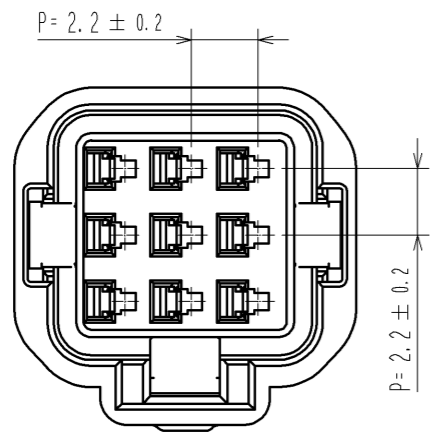


Apr.1.2017 Copyright 2017 HIROSE ELECTRIC CO., LTD. All Rights Reserved.



- Notes.
1. 100 pcs. / pack
  2. The dimensions in parenthesis are reference dimensions.
  3. Always refer to the manuals below for operation of this product.  
 For cable assembly / Cable assembly procedure ETAD-H0760  
 For mating/unmating / Operation manual ETAD-H0761

1	PBT	UL94V-0 (Black)	3	Silicone rubber	Bengala
2			2	Silicone rubber	Bengala
NO.	MATERIAL	FINISH . REMARKS	NO.	MATERIAL	FINISH . REMARKS
UNITS	mm	SCALE	4 : 1	COUNT	2
		DESCRIPTION OF REVISIONS		DESIGNED	KT. ISHII
		DIS-H-008988		CHECKED	HK. UMEHARA
				DATE	14. 08. 08
APPROVED : KI. AKIYAMA			14. 01. 20		
CHECED : MN. KENJO			14. 01. 20		
DESIGNED : KT. ISHII			14. 01. 20		
DRAWN : KT. ISHII			14. 01. 20		
DRAWING NO.				EDC3-353730-00	
PART NO.				DF62W-9EP-2.2C	
CODE NO.				CL544-1011-8-00	
				1/1	