

# Addendum for New QFN Package Migration

This addendum provides the changes to the 98A case outline numbers for products covered in this book. Case outlines were changed because of the migration from gold wire to copper wire in some packages. See the table below for the old (gold wire) package versus the new (copper wire) package.

To view the new drawing, go to [Freescale.com](http://Freescale.com) and search on the new 98A package number for your device.

For more information about QFN package use, see EB806: *Electrical Connection Recommendations for the Exposed Pad on QFN and DFN Packages*.

| Part Number   | Package Description | Original (gold wire)<br>package document number | Current (copper wire)<br>package document number |
|---------------|---------------------|---|--|
| MC68HC908JW32 | 48 QFN              | 98ARH99048A                                     | 98ASA00466D                                      |
| MC9S08AC16    |                     |   |  |
| MC9S908AC60   |                     |   |  |
| MC9S08AC128   |                     |   |  |
| MC9S08AW60    |                     |   |  |
| MC9S08GB60A   |                     |   |  |
| MC9S08GT16A   |                     |   |  |
| MC9S08JM16    |                     |   |  |
| MC9S08JM60    |                     |   |  |
| MC9S08LL16    |                     |   |  |
| MC9S08QE128   |                     |   |  |
| MC9S08QE32    |                     |   |  |
| MC9S08RG60    |                     |   |  |
| MCF51CN128    |                     |   |  |
| MC9RS08LA8    | 48 QFN              | 98ARL10606D                                     | 98ASA00466D                                      |
| MC9S08GT16A   | 32 QFN              | 98ARH99035A                                     | 98ASA00473D                                      |
| MC9S908QE32   | 32 QFN              | 98ARE10566D                                     | 98ASA00473D                                      |
| MC9S908QE8    | 32 QFN              | 98ASA00071D                                     | 98ASA00736D                                      |
| MC9S08JS16    | 24 QFN              | 98ARL10608D                                     | 98ASA00734D                                      |
| MC9S08QB8     |                     |   |  |
| MC9S08QG8     | 24 QFN              | 98ARL10605D                                     | 98ASA00474D                                      |
| MC9S08SH8     | 24 QFN              | 98ARE10714D                                     | 98ASA00474D                                      |
| MC9RS08KB12   | 24 QFN              | 98ASA00087D                                     | 98ASA00602D                                      |
| MC9S08QG8     | 16 QFN              | 98ARE10614D                                     | 98ASA00671D                                      |
| MC9RS08KB12   | 8 DFN               | 98ARL10557D                                     | 98ASA00672D                                      |
| MC9S08QG8     |                     |   |  |
| MC9RS08KA2    | 6 DFN               | 98ARL10602D                                     | 98ASA00735D                                      |

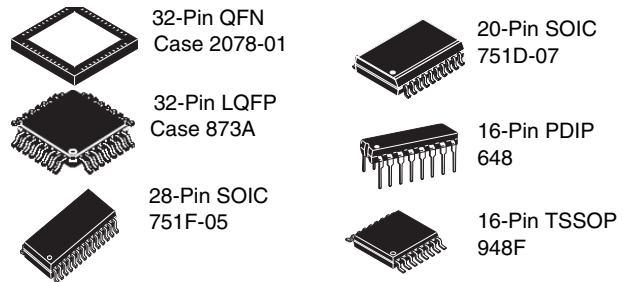
## MC9S08QE8 Series

### Covers: MC9S08QE8 and MC9S08QE4

#### Features

- 8-Bit HCS08 Central Processor Unit (CPU)
  - Up to 20 MHz CPU at 3.6 V to 1.8 V across temperature range of –40 °C to 85 °C
  - HC08 instruction set with added BGND instruction
  - Support for up to 32 interrupt/reset sources
- On-Chip Memory
  - Flash read/program/erase over full operating voltage and temperature
  - Random-access memory (RAM)
  - Security circuitry to prevent unauthorized access to RAM and flash contents
- Power-Saving Modes
  - Two low power stop modes
  - Reduced power wait mode
  - Low power run and wait modes allow peripherals to run while voltage regulator is in standby
  - Peripheral clock gating register can disable clocks to unused modules, thereby reducing currents
  - Very low power external oscillator that can be used in stop2 or stop3 modes to provide accurate clock source to real time counter
  - 6 μs typical wake-up time from stop3 mode
- Clock Source Options
  - Oscillator (XOSC) — Loop-control Pierce oscillator; crystal or ceramic resonator range of 31.25 kHz to 38.4 kHz or 1 MHz to 16 MHz
  - Internal Clock Source (ICS) — Internal clock source module containing a frequency-locked-loop (FLL) controlled by internal or external reference; precision trimming of internal reference allows 0.2% resolution and 2% deviation over temperature and voltage; supporting bus frequencies from 1 MHz to 10 MHz
- System Protection
  - Watchdog computer operating properly (COP) reset with option to run from dedicated 1 kHz internal clock source or bus clock
  - Low-voltage warning with interrupt
  - Low-voltage detection with reset or interrupt
  - Illegal opcode detection with reset
  - Illegal address detection with reset
  - Flash block protection
- Development Support
  - Single-wire background debug interface
  - Breakpoint capability to allow single breakpoint setting during in-circuit debugging (plus two more breakpoints in on-chip debug module)

## MC9S08QE8



- On-chip in-circuit emulator (ICE) debug module containing two comparators and nine trigger modes; eight deep FIFO for storing change-of-flow addresses and event-only data; debug module supports both tag and force breakpoints
- Peripherals
  - **ADC** — 10-channel, 12-bit resolution; 2.5 μs conversion time; automatic compare function; 1.7 mV/°C temperature sensor; internal bandgap reference channel; operation in stop3; fully functional from 3.6 V to 1.8 V
  - **ACMPx** — Two analog comparators with selectable interrupt on rising, falling, or either edge of comparator output; compare option to fixed internal bandgap reference voltage; outputs can be optionally routed to TPM module; operation in stop3
  - **SCI** — Full-duplex non-return to zero (NRZ); LIN master extended break generation; LIN slave extended break detection; wake-up on active edge
  - **SPI** — Full-duplex or single-wire bidirectional; double-buffered transmit and receive; master or slave mode; MSB-first or LSB-first shifting
  - **IIC** — Up to 100 kbps with maximum bus loading; multi-master operation; programmable slave address; interrupt driven byte-by-byte data transfer; supporting broadcast mode and 10-bit addressing
  - **TPMx** — Two 3-channel (TPM1 and TPM2); selectable input capture, output compare, or buffered edge- or center-aligned PWM on each channel
  - **RTC** — (Real-time counter) 8-bit modulus counter with binary or decimal based prescaler; external clock source for precise time base, time-of-day, calendar or task scheduling functions; free running on-chip low power oscillator (1 kHz) for cyclic wakeup without external components; runs in all MCU modes
- Input/Output
  - 26 GPIOs, one output-only pin and one input-only pin
  - Eight KBI interrupts with selectable polarity
  - Hysteresis and configurable pullup device on all input pins; configurable slew rate and drive strength on all output pins.
- Package Options
  - 32-pin LQFP, 32-pin QFN, 28-pin SOIC, 20-pin SOIC, 16-pin PDIP, 16-pin TSSOP

This document contains information on a product under development. Freescale reserves the right to change or discontinue this product without notice.

# Table of Contents

|     |  |    |        |                                      |    |
|-----|--|----|--------|--------------------------------------|----|
| 1   | MCU Block Diagram                              | 3  | 3.10   | AC Characteristics                   | 20 |
| 2   | Pin Assignments                                | 4  | 3.10.1 | Control Timing                       | 20 |
| 3   | Electrical Characteristics                     | 7  | 3.10.2 | TPM Module Timing                    | 21 |
| 3.1 | Introduction                                   | 7  | 3.10.3 | SPI Timing                           | 22 |
| 3.2 | Parameter Classification                       | 7  | 3.11   | Analog Comparator (ACMP) Electricals | 24 |
| 3.3 | Absolute Maximum Ratings                       | 8  | 3.12   | ADC Characteristics                  | 25 |
| 3.4 | Thermal Characteristics                        | 8  | 3.13   | Flash Specifications                 | 29 |
| 3.5 | ESD Protection and Latch-Up Immunity           | 10 | 3.14   | EMC Performance                      | 29 |
| 3.6 | DC Characteristics                             | 11 | 3.14.1 | Conducted Transient Susceptibility   | 30 |
| 3.7 | Supply Current Characteristics                 | 14 | 4      | Ordering Information                 | 30 |
| 3.8 | External Oscillator (XOSC_VLP) Characteristics | 17 | 5      | Package Information                  | 31 |
| 3.9 | Internal Clock Source (ICS) Characteristics    | 18 | 5.1    | Mechanical Drawings                  | 31 |

## Revision History

To provide the most up-to-date information, the revision of our documents on the World Wide Web will be the most current. Your printed copy may be an earlier revision. To verify you have the latest information available, refer to:

<http://freescale.com/>

The following revision history table summarizes changes contained in this document.

| Rev | Date           | Description of Changes  |
|-----|----------------|---|
| 2   | Nov 7 2007     | Initial preliminary product preview release.  |
| 3   | Jan 22 2008    | Initial public release.   |
| 4   | March 13 2008  | Added <a href="#">Figure 11</a> .   |
| 5   | October 8 2008 | Updated the Stop2 and Stop3 mode supply current in the <a href="#">Table 8</a> .<br>Replaced the stop mode adders section from <a href="#">Table 8</a> with an individual <a href="#">Table 9</a> with new specifications.<br>Added a footnote to the Min. of the supply voltage in <a href="#">Table 7</a> .<br>Changed the typical value of $ I_{IN} $ and $ I_{OZ} $ to — (no typical value) in <a href="#">Table 7</a> .<br>Added $t_{VRR}$ to <a href="#">Table 12</a> .<br>Updated “How to reach us” information. |
| 6   | Nov. 4 2008    | Updated the operating voltage in <a href="#">Table 7</a> .  |
| 7   | April 29 2009  | Changed $V_{DDAD}$ to $V_{DDA}$ , $I_{DDAD}$ to $I_{DDA}$ , and $V_{SSAD}$ to $V_{SSA}$ .<br>In <a href="#">Table 7</a> , added $I_{OZTOT}$ .<br>In <a href="#">Table 11</a> , updated the DCO output frequency range-trimmed, and changed some symbols.<br>Updated typicals and Max. for $t_{IRST}$ .<br>Updated <a href="#">Table 17</a> .  |
| 8   | April 12, 2011 | Added 32-pin QFN package.   |

## Related Documentation

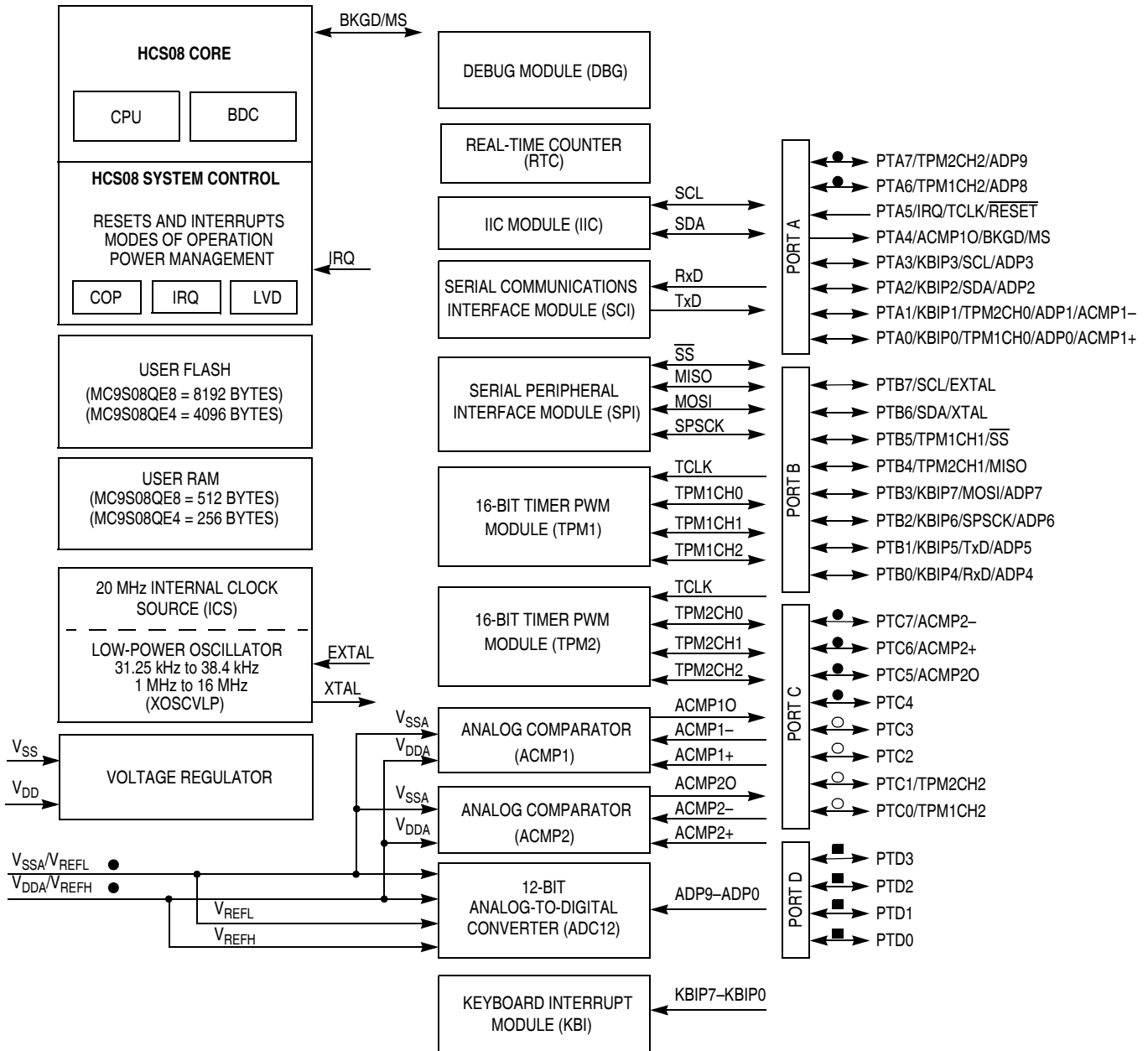
Find the most current versions of all documents at: <http://www.freescale.com>

### Reference Manual (MC9S08QE8RM)

Contains extensive product information including modes of operation, memory, resets and interrupts, register definition, port pins, CPU, and all module information.

# 1 MCU Block Diagram

The block diagram, [Figure 1](#), shows the structure of MC9S08QE8 series MCU.



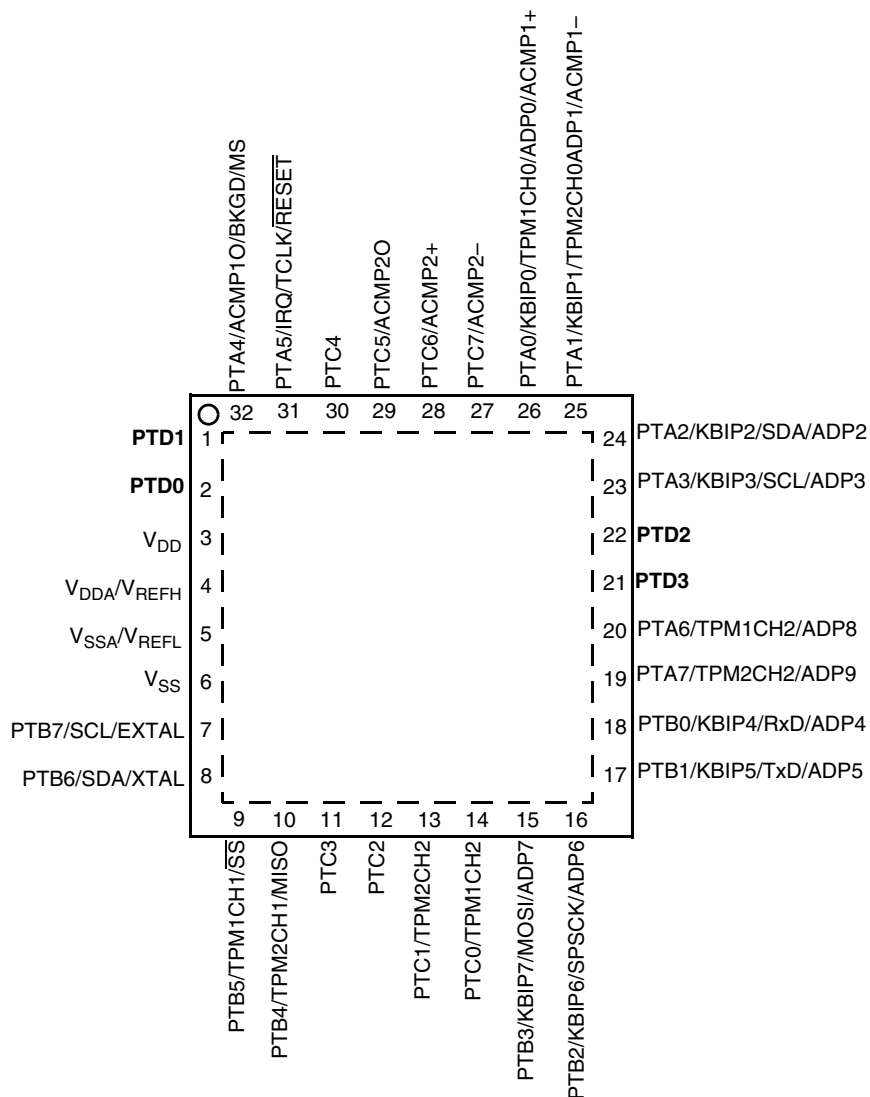
- pins not available on 16-pin packages
- pins not available on 16-pin or 20-pin packages
- pins not available on 16-pin, 20-pin or 28-pin packages

Notes: When PTA5 is configured as  $\overline{\text{RESET}}$ , pin becomes bi-directional with output being open-drain drive containing an internal pullup device.  
 When PTA4 is configured as BKGD, pin becomes bi-directional.  
 For the 16-pin and 20-pin packages, V<sub>SSA</sub>/V<sub>REFL</sub> and V<sub>DDA</sub>/V<sub>REFH</sub> are double bonded to V<sub>SS</sub> and V<sub>DD</sub> respectively.

**Figure 1. MC9S08QE8 Series Block Diagram**

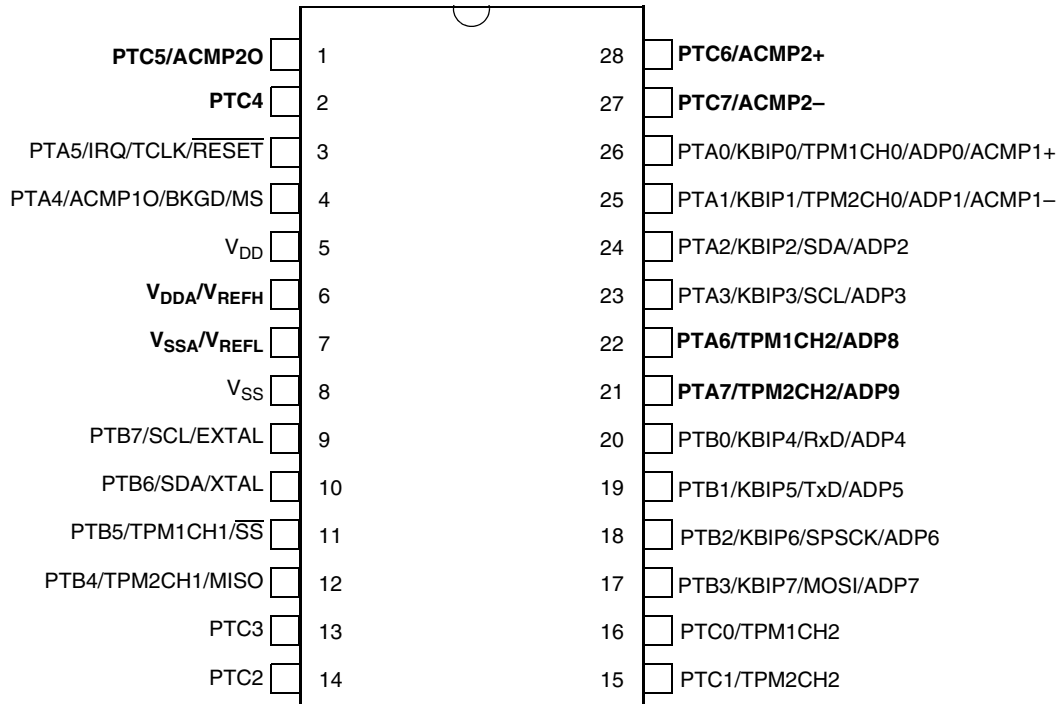
## 2 Pin Assignments

This section shows the pin assignments for the MC9S08QE8 series devices.



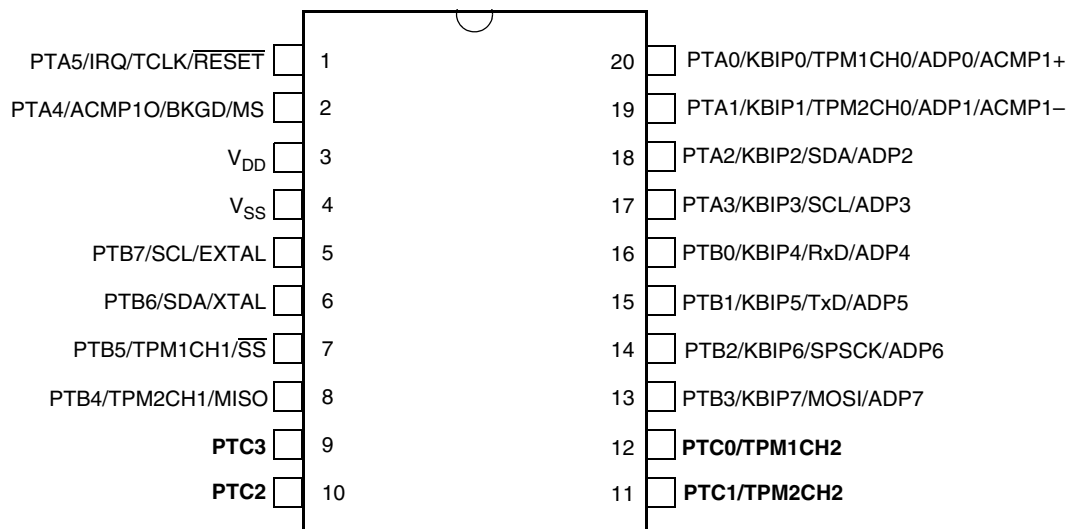
Pins shown in bold type are lost in the next lower pin count package.

**Figure 2. MC9S08QE8 Series in 32-Pin LQFP/QFN Package**



Pins shown in bold type are lost in the next lower pin count package.

**Figure 3. MC9S08QE8 Series in 28-pin SOIC Package**



Pins shown in bold type are lost in the next lower pin count package.

**Figure 4. MC9S08QE8 Series in 20-pin SOIC Package**

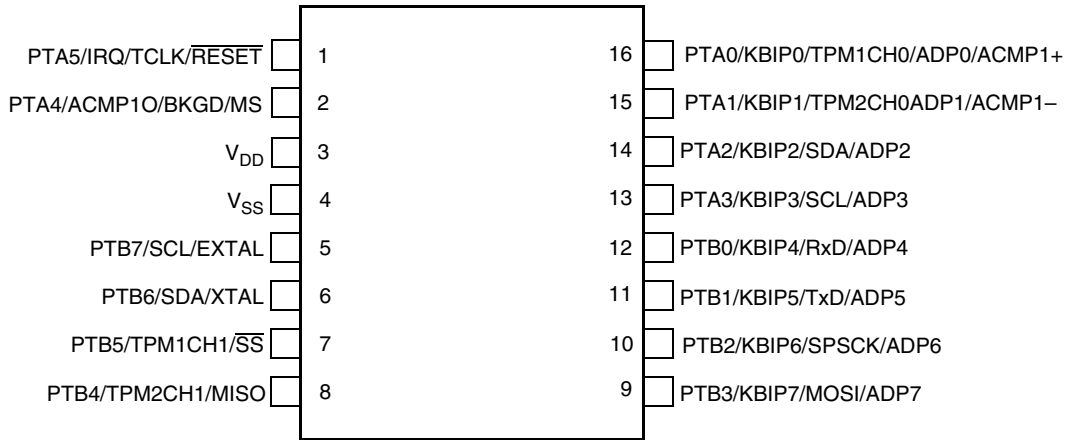


Figure 5. MC9S08QE8 Series in 16-pin PDIP and TSSOP Packages

Table 1. Pin Availability by Package Pin-Count

| Pin Number |    |    |    | <-- Lowest Priority --> Highest |                      |                  |                   |                                     |
|------------|----|----|----|---------------------------------|----------------------|------------------|-------------------|-------------------------------------|
| 32         | 28 | 20 | 16 | Port Pin                        | Alt 1                | Alt 2            | Alt 3             | Alt 4                               |
| 1          | —  | —  | —  | PTD1                            |                      |                  |                   |                                     |
| 2          | —  | —  | —  | PTD0                            |                      |                  |                   |                                     |
| 3          | 5  | 3  | 3  |                                 |                      |                  |                   | V <sub>DD</sub>                     |
| 4          | 6  | —  | —  |                                 |                      |                  |                   | V <sub>DDA</sub> /V <sub>REFH</sub> |
| 5          | 7  | —  | —  |                                 |                      |                  |                   | V <sub>SSA</sub> /V <sub>REFL</sub> |
| 6          | 8  | 4  | 4  |                                 |                      |                  |                   | V <sub>SS</sub>                     |
| 7          | 9  | 5  | 5  | PTB7                            | SCL <sup>1</sup>     |                  |                   | EXTAL                               |
| 8          | 10 | 6  | 6  | PTB6                            | SDA <sup>1</sup>     |                  |                   | XTAL                                |
| 9          | 11 | 7  | 7  | PTB5                            | TPM1CH1              | SS               |                   |                                     |
| 10         | 12 | 8  | 8  | PTB4                            | TPM2CH1              | MISO             |                   |                                     |
| 11         | 13 | 9  | —  | PTC3                            |                      |                  |                   |                                     |
| 12         | 14 | 10 | —  | PTC2                            |                      |                  |                   |                                     |
| 13         | 15 | 11 | —  | PTC1                            | TPM2CH2 <sup>2</sup> |                  |                   |                                     |
| 14         | 16 | 12 | —  | PTC0                            | TPM1CH2 <sup>3</sup> |                  |                   |                                     |
| 15         | 17 | 13 | 9  | PTB3                            | KBIP7                | MOSI             | ADP7              |                                     |
| 16         | 18 | 14 | 10 | PTB2                            | KBIP6                | SPSCK            | ADP6              |                                     |
| 17         | 19 | 15 | 11 | PTB1                            | KBIP5                | TxD              | ADP5              |                                     |
| 18         | 20 | 16 | 12 | PTB0                            | KBIP4                | RxD              | ADP4              |                                     |
| 19         | 21 | —  | —  | PTA7                            | TPM2CH2 <sup>2</sup> |                  | ADP9              |                                     |
| 20         | 22 | —  | —  | PTA6                            | TPM1CH2 <sup>3</sup> |                  | ADP8              |                                     |
| 21         | —  | —  | —  | PTD3                            |                      |                  |                   |                                     |
| 22         | —  | —  | —  | PTD2                            |                      |                  |                   |                                     |
| 23         | 23 | 17 | 13 | PTA3                            | KBIP3                | SCL <sup>1</sup> | ADP3              |                                     |
| 24         | 24 | 18 | 14 | PTA2                            | KBIP2                | SDA <sup>1</sup> | ADP2              |                                     |
| 25         | 25 | 19 | 15 | PTA1                            | KBIP1                | TPM2CH0          | ADP1 <sup>4</sup> | ACMP1- <sup>4</sup>                 |



**Table 1. Pin Availability by Package Pin-Count (continued)**

| Pin Number |    |    |    | <-- Lowest Priority --> Highest |        |         |                   |                     |
|------------|----|----|----|---------------------------------|--------|---------|-------------------|---------------------|
| 32         | 28 | 20 | 16 | Port Pin                        | Alt 1  | Alt 2   | Alt 3             | Alt 4               |
| 26         | 26 | 20 | 16 | PTA0                            | KBIP0  | TPM1CH0 | ADP0 <sup>4</sup> | ACMP1+ <sup>4</sup> |
| 27         | 27 | —  | —  | PTC7                            |        |         |                   | ACMP2–              |
| 28         | 28 | —  | —  | PTC6                            |        |         |                   | ACMP2+              |
| 29         | 1  | —  | —  | PTC5                            |        |         |                   | ACMP2O              |
| 30         | 2  | —  | —  | PTC4                            |        |         |                   |                     |
| 31         | 3  | 1  | 1  | PTA5                            | IRQ    | TCLK    | RESET             |                     |
| 32         | 4  | 2  | 2  | PTA4                            | ACMP1O | BKGD    | MS                |                     |

<sup>1</sup> IIC pins, SCL and SDA can be repositioned using IICPS in SOPT2, default reset locations are PTA3 and PTA2.

<sup>2</sup> TPM2CH2 pin can be repositioned using TPM2CH2PS in SOPT2, default reset location is PTA7.

<sup>3</sup> TPM1CH2 pin can be repositioned using TPM1CH2PS in SOPT2, default reset location is PTA6.

<sup>4</sup> If ADC and ACMP1 are enabled, both modules will have access to the pin.

## 3 Electrical Characteristics

### 3.1 Introduction

This section contains electrical and timing specifications for the MC9S08QE8 series of microcontrollers available at the time of publication.

### 3.2 Parameter Classification

The electrical parameters shown in this supplement are guaranteed by various methods. To give the customer a better understanding the following classification is used and the parameters are tagged accordingly in the tables where appropriate:

**Table 2. Parameter Classifications**

|          |  |
|----------|--|
| <b>P</b> | Those parameters are guaranteed during production testing on each individual device.   |
| <b>C</b> | Those parameters are achieved by the design characterization by measuring a statistically relevant sample size across process variations.  |
| <b>T</b> | Those parameters are achieved by design characterization on a small sample size from typical devices under typical conditions unless otherwise noted. All values shown in the typical column are within this category. |
| <b>D</b> | Those parameters are derived mainly from simulations.  |

#### NOTE

The classification is shown in the column labeled “C” in the parameter tables where appropriate.

### 3.3 Absolute Maximum Ratings

Absolute maximum ratings are stress ratings only, and functional operation at the maxima is not guaranteed. Stress beyond the limits specified in Table 3 may affect device reliability or cause permanent damage to the device. For functional operating conditions, refer to the remaining tables in this section.

This device contains circuitry protecting against damage due to high static voltage or electrical fields; however, it is advised that normal precautions be taken to avoid application of any voltages higher than maximum-rated voltages to this high-impedance circuit. Reliability of operation is enhanced if unused inputs are tied to an appropriate logic voltage level (for instance, either  $V_{SS}$  or  $V_{DD}$ ) or the programmable pullup resistor associated with the pin is enabled.

**Table 3. Absolute Maximum Ratings**

| Rating  | Symbol    | Value                  | Unit |
|---|-----------|------------------------|------|
| Supply voltage  | $V_{DD}$  | -0.3 to 3.8            | V    |
| Maximum current into $V_{DD}$   | $I_{DD}$  | 120                    | mA   |
| Digital input voltage   | $V_{In}$  | -0.3 to $V_{DD} + 0.3$ | V    |
| Instantaneous maximum current<br>Single pin limit (applies to all port pins) <sup>1, 2, 3</sup> | $I_D$     | ±25                    | mA   |
| Storage temperature range   | $T_{stg}$ | -55 to 150             | °C   |

<sup>1</sup> Input must be current limited to the value specified. To determine the value of the required current-limiting resistor, calculate resistance values for positive ( $V_{DD}$ ) and negative ( $V_{SS}$ ) clamp voltages, then use the larger of the two resistance values.

<sup>2</sup> All functional non-supply pins, except for PTA5 are internally clamped to  $V_{SS}$  and  $V_{DD}$ .

<sup>3</sup> Power supply must maintain regulation within operating  $V_{DD}$  range during instantaneous and operating maximum current conditions. If positive injection current ( $V_{In} > V_{DD}$ ) is greater than  $I_{DD}$ , the injection current may flow out of  $V_{DD}$  and could result in external power supply going out of regulation. Ensure external  $V_{DD}$  load will shunt current greater than maximum injection current. This will be the greatest risk when the MCU is not consuming power. Examples are: if no system clock is present, or if the clock rate is very low (which would reduce overall power consumption).

### 3.4 Thermal Characteristics

This section provides information about operating temperature range, power dissipation, and package thermal resistance. Power dissipation on I/O pins is usually small compared to the power dissipation in on-chip logic and voltage regulator circuits, and it is user-determined rather than being controlled by the MCU design. To take  $P_{I/O}$  into account in power calculations, determine the difference between actual pin voltage and  $V_{SS}$  or  $V_{DD}$  and multiply by the pin current for each I/O pin. Except in cases of unusually high pin current (heavy loads), the difference between pin voltage and  $V_{SS}$  or  $V_{DD}$  will be very small.

**Table 4. Thermal Characteristics**

| Rating                                   | Symbol        | Value                       | Unit |
|--|---------------|-----------------------------|------|
| Operating temperature range (packaged)   | $T_A$         | $T_L$ to $T_H$<br>-40 to 85 | °C   |
| Maximum junction temperature             | $T_{JM}$      | 95                          | °C   |
| Thermal resistance<br>Single-layer board |               |                             |      |
| 32-pin QFN                               | $\theta_{JA}$ | 110                         | °C/W |
| 32-pin LQFP                              |               | 66                          |      |
| 28-pin SOIC                              |               | 57                          |      |
| 20-pin SOIC                              |               | 71                          |      |
| 16-pin PDIP                              |               | 64                          |      |
| 16-pin TSSOP                             |               | 108                         |      |
| Thermal resistance<br>Four-layer board   |               |                             |      |
| 32-pin QFN                               | $\theta_{JA}$ | 42                          | °C/W |
| 32-pin LQFP                              |               | 47                          |      |
| 28-pin SOIC                              |               | 42                          |      |
| 20-pin SOIC                              |               | 52                          |      |
| 16-pin PDIP                              |               | 47                          |      |
| 16-pin TSSOP                             |               | 78                          |      |

The average chip-junction temperature ( $T_J$ ) in °C can be obtained from:

$$T_J = T_A + (P_D \times \theta_{JA}) \quad \text{Eqn. 1}$$

where:

$T_A$  = Ambient temperature, °C

$\theta_{JA}$  = Package thermal resistance, junction-to-ambient, °C/W

$P_D = P_{int} + P_{I/O}$

$P_{int} = I_{DD} \times V_{DD}$ , Watts — chip internal power

$P_{I/O}$  = Power dissipation on input and output pins — user determined

For most applications,  $P_{I/O} \ll P_{int}$  and can be neglected. An approximate relationship between  $P_D$  and  $T_J$  (if  $P_{I/O}$  is neglected) is:

$$P_D = K \div (T_J + 273 \text{ °C}) \quad \text{Eqn. 2}$$

Solving [Equation 1](#) and [Equation 2](#) for K gives:

$$K = P_D \times (T_A + 273 \text{ °C}) + \theta_{JA} \times (P_D)^2 \quad \text{Eqn. 3}$$

where K is a constant pertaining to the particular part. K can be determined from equation 3 by measuring  $P_D$  (at equilibrium) for a known  $T_A$ . Using this value of K, the values of  $P_D$  and  $T_J$  can be obtained by solving Equation 1 and Equation 2 iteratively for any value of  $T_A$ .

### 3.5 ESD Protection and Latch-Up Immunity

Although damage from electrostatic discharge (ESD) is much less common on these devices than on early CMOS circuits, normal handling precautions must be taken to avoid exposure to static discharge. Qualification tests are performed to ensure that these devices can withstand exposure to reasonable levels of static without suffering any permanent damage.

All ESD testing is in conformity with AEC-Q100 Stress Test Qualification for Automotive Grade Integrated Circuits. During the device qualification, ESD stresses were performed for the human body model (HBM), the machine model (MM) and the charge device model (CDM).

A device is defined as a failure if after exposure to ESD pulses the device no longer meets the device specification. Complete DC parametric and functional testing is performed per the applicable device specification at room temperature followed by hot temperature, unless instructed otherwise in the device specification.

**Table 5. ESD and Latch-up Test Conditions**

| Model      | Description                 | Symbol | Value | Unit     |
|------------|-----------------------------|--------|-------|----------|
| Human Body | Series resistance           | R1     | 1500  | $\Omega$ |
|            | Storage capacitance         | C      | 100   | pF       |
|            | Number of pulses per pin    | —      | 3     | —        |
| Machine    | Series resistance           | R1     | 0     | $\Omega$ |
|            | Storage capacitance         | C      | 200   | pF       |
|            | Number of pulses per pin    | —      | 3     | —        |
| Latch-up   | Minimum input voltage limit | —      | -2.5  | V        |
|            | Maximum input voltage limit | —      | 7.5   | V        |

**Table 6. ESD and Latch-Up Protection Characteristics**

| No. | Rating <sup>1</sup>                          | Symbol    | Min        | Max | Unit |
|-----|--|-----------|------------|-----|------|
| 1   | Human body model (HBM)                       | $V_{HBM}$ | $\pm 2000$ | —   | V    |
| 2   | Machine model (MM)                           | $V_{MM}$  | $\pm 200$  | —   | V    |
| 3   | Charge device model (CDM)                    | $V_{CDM}$ | $\pm 500$  | —   | V    |
| 4   | Latch-up current at $T_A = 85^\circ\text{C}$ | $I_{LAT}$ | $\pm 100$  | —   | mA   |

<sup>1</sup> Parameter is achieved by design characterization on a small sample size from typical devices under typical conditions unless otherwise noted.

### 3.6 DC Characteristics

This section includes information about power supply requirements and I/O pin characteristics.

**Table 7. DC Characteristics**

| Num | C | Characteristic   | Symbol                 | Condition  | Min.                    | Typical <sup>1</sup> | Max.                 | Unit       |
|-----|---|--|------------------------|--|-------------------------|----------------------|----------------------|------------|
| 1   |   | Operating voltage<br>$V_{DD}$ rising<br>$V_{DD}$ falling   |                        |  | 2.0 <sup>2</sup><br>1.8 |                      | 3.6                  | V          |
| 2   | C | Output high voltage  | $V_{OH}$               | All I/O pins,<br>low-drive strength<br>$V_{DD} > 1.8$ V,<br>$I_{Load} = -2$ mA   | $V_{DD} - 0.5$          | —                    | —                    | V          |
|     | P |  |                        | All I/O pins,<br>high-drive strength<br>$V_{DD} > 2.7$ V,<br>$I_{Load} = -10$ mA | $V_{DD} - 0.5$          | —                    | —                    |            |
|     | C |  |                        | $V_{DD} > 1.8$ V,<br>$I_{Load} = -2$ mA  | $V_{DD} - 0.5$          | —                    | —                    |            |
| 3   | D | Output high current<br>Max total $I_{OH}$ for all ports  | $I_{OHT}$              | —  | —                       | —                    | 100                  | mA         |
| 4   | C | Output low voltage   | $V_{OL}$               | All I/O pins,<br>low-drive strength<br>$V_{DD} > 1.8$ V,<br>$I_{Load} = 0.6$ mA  | —                       | —                    | 0.5                  | V          |
|     | P |  |                        | All I/O pins,<br>high-drive strength<br>$V_{DD} > 2.7$ V,<br>$I_{Load} = 10$ mA  | —                       | —                    | 0.5                  |            |
|     | C |  |                        | $V_{DD} > 1.8$ V,<br>$I_{Load} = 3$ mA   | —                       | —                    | 0.5                  |            |
| 5   | D | Output low current<br>Max total $I_{OL}$ for all ports   | $I_{OLT}$              | —  | —                       | —                    | 100                  | mA         |
| 6   | P | Input high voltage<br>All digital inputs   | $V_{IH}$               | $V_{DD} > 2.7$ V   | $0.70 \times V_{DD}$    | —                    | —                    | V          |
|     | C |  |                        | $V_{DD} > 1.8$ V   | $0.85 \times V_{DD}$    | —                    | —                    |            |
| 7   | P | Input low voltage<br>All digital inputs  | $V_{IL}$               | $V_{DD} > 2.7$ V   | —                       | —                    | $0.35 \times V_{DD}$ | V          |
|     | C |  |                        | $V_{DD} > 1.8$ V   | —                       | —                    | $0.30 \times V_{DD}$ |            |
| 8   | C | Input hysteresis<br>All digital inputs   | $V_{hys}$              | —  | $0.06 \times V_{DD}$    | —                    | —                    | mV         |
| 9   | P | Input leakage current<br>All input only pins<br>(per pin)  | $ I_{In} $             | $V_{In} = V_{DD}$ or $V_{SS}$  | —                       | —                    | 1                    | $\mu$ A    |
| 10  | P | Hi-Z<br>(off-state)<br>leakage current<br>All input/output<br>(per pin)                                      | $ I_{OZ} $             | $V_{In} = V_{DD}$ or $V_{SS}$  | —                       | —                    | 1                    | $\mu$ A    |
| 11  | P | Total leakage combined for all inputs and Hi-Z pins<br>All input only and I/O                                | $ I_{OZTOT} $          | $V_{In} = V_{DD}$ or $V_{SS}$  | —                       | —                    | 2                    | $\mu$ A    |
| 12a | P | Pullup, pulldown resistors<br>All digital inputs, when enabled (all I/O pins other than PTA5/IRQ/TCLK/RESET) | $R_{PU}$ ,<br>$R_{PD}$ | —  | 17.5                    | —                    | 52.5                 | k $\Omega$ |

**Table 7. DC Characteristics (continued)**

| Num | C | Characteristic                                      | Symbol   | Condition                             | Min. | Typical <sup>1</sup> | Max. | Unit       |
|-----|---|---|--|---------------------------------------|------|----------------------|------|------------|
| 12b | C | Pullup, pulldown resistors<br>(PTA5/IRQ/TCLK/RESET) | $R_{PU}$ ,<br>$R_{PD}$<br>(Note <sup>3</sup> ) | —                                     | 17.5 | —                    | 52.5 | k $\Omega$ |
| 13  | C | DC injection current <sup>4, 5, 6</sup>             | Single pin limit                               | $V_{IN} < V_{SS}$ , $V_{IN} > V_{DD}$ | -0.2 | —                    | 0.2  | mA         |
|     |   | Total MCU limit, includes sum of all stressed pins  | $I_{IC}$                                       |                                       | -5   | —                    | 5    | mA         |
| 14  | C | Input capacitance, all pins                         | $C_{in}$                                       | —                                     | —    | —                    | 8    | pF         |
| 15  | C | RAM retention voltage                               | $V_{RAM}$                                      | —                                     | —    | 0.6                  | 1.0  | V          |
| 16  | C | POR re-arm voltage <sup>7</sup>                     | $V_{POR}$                                      | —                                     | 0.9  | 1.4                  | 2.0  | V          |
| 17  | D | POR re-arm time                                     | $t_{POR}$                                      | —                                     | 10   | —                    | —    | $\mu$ s    |
| 18  | P | Low-voltage detection threshold                     | $V_{LVD}$                                      | $V_{DD}$ falling                      | 1.80 | 1.84                 | 1.88 | V          |
|     |   |   |  | $V_{DD}$ rising                       | 1.88 | 1.92                 | 1.96 |            |
| 19  | P | Low-voltage warning threshold                       | $V_{LVW}$                                      | $V_{DD}$ falling                      | 2.08 | 2.14                 | 2.24 | V          |
|     |   |   |  | $V_{DD}$ rising                       |      |                      |      |            |
| 20  | P | Low-voltage inhibit reset/recover hysteresis        | $V_{hys}$                                      | —                                     | —    | 80                   | —    | mV         |
| 21  | P | Bandgap voltage reference <sup>8</sup>              | $V_{BG}$                                       | —                                     | 1.15 | 1.17                 | 1.18 | V          |

<sup>1</sup> Typical values are measured at 25 °C. Characterized, not tested

<sup>2</sup> As the supply voltage rises, the LVD circuit will hold the MCU in reset until the supply has risen above  $V_{LVDL}$ .

<sup>3</sup> The specified resistor value is the actual value internal to the device. The pullup or pulldown value may appear higher when measured externally on the pin.

<sup>4</sup> All functional non-supply pins, except for PTA5 are internally clamped to  $V_{SS}$  and  $V_{DD}$ .

<sup>5</sup> Input must be current limited to the value specified. To determine the value of the required current-limiting resistor, calculate resistance values for positive and negative clamp voltages, then use the larger of the two values.

<sup>6</sup> Power supply must maintain regulation within operating  $V_{DD}$  range during instantaneous and operating maximum current conditions. If the positive injection current ( $V_{in} > V_{DD}$ ) is greater than  $I_{DD}$ , the injection current may flow out of  $V_{DD}$  and could result in external power supply going out of regulation. Ensure that external  $V_{DD}$  load will shunt current greater than maximum injection current. This will be the greatest risk when the MCU is not consuming power. Examples are: if no system clock is present, or if clock rate is very low (which would reduce overall power consumption).

<sup>7</sup> Maximum is highest voltage that POR is guaranteed.

<sup>8</sup> Factory trimmed at  $V_{DD} = 3.0$  V, Temp = 25 °C

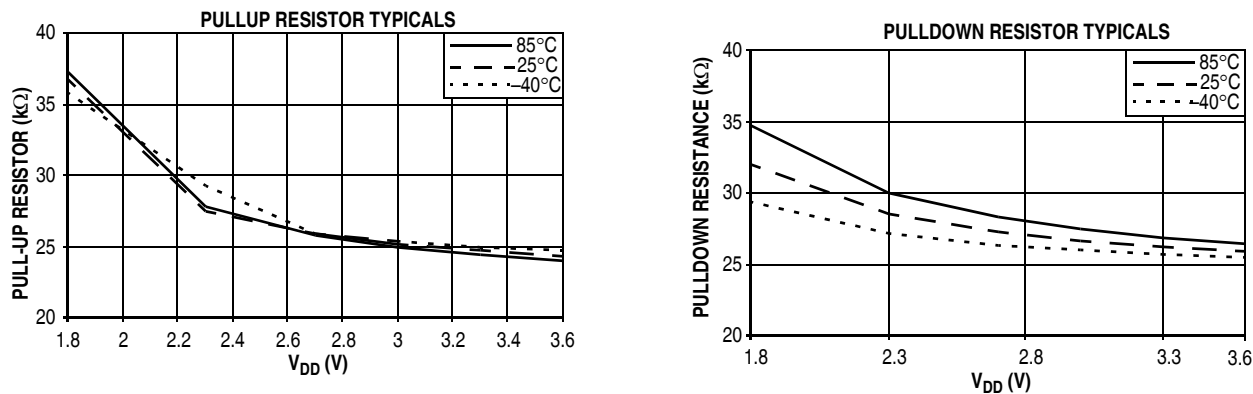


Figure 6. Pullup and Pulldown Typical Resistor Values (V<sub>DD</sub> = 3.0 V)

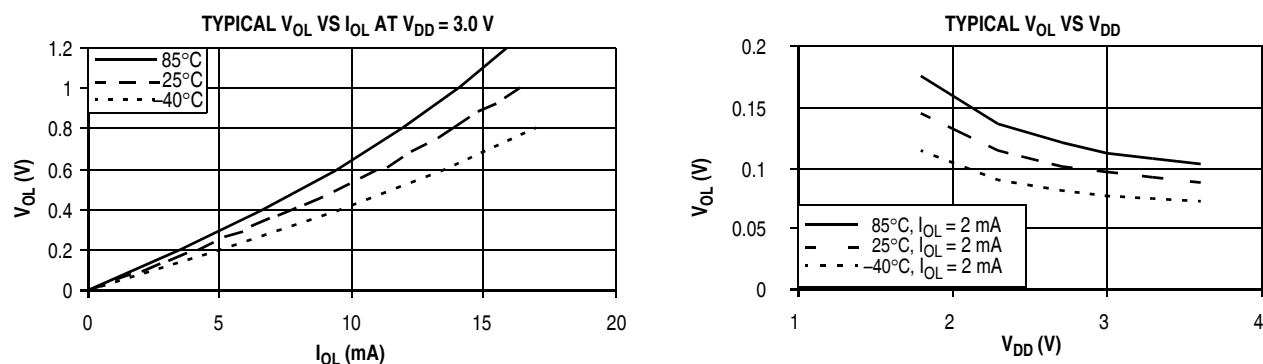


Figure 7. Typical Low-Side Driver (Sink) Characteristics — Low Drive (PTxDSn = 0)

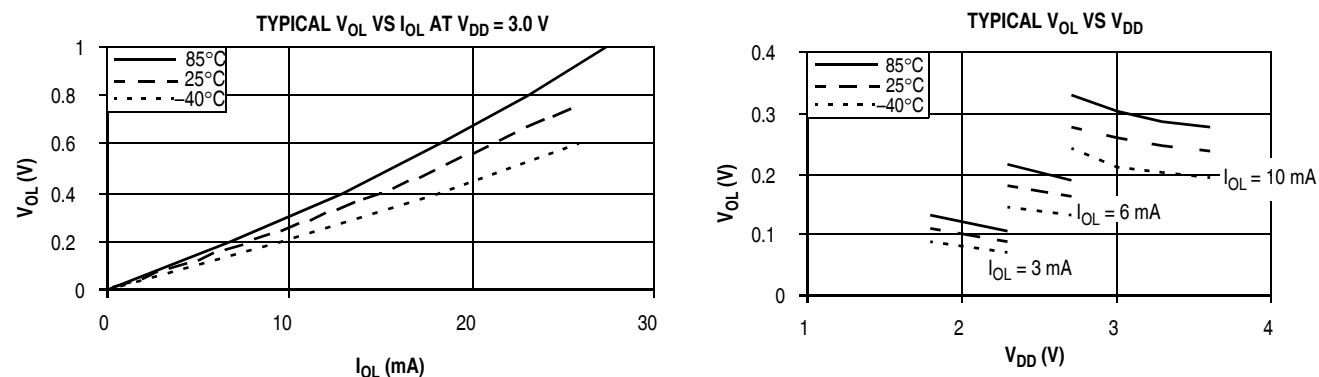


Figure 8. Typical Low-Side Driver (Sink) Characteristics — High Drive (PTxDSn = 1)

## Electrical Characteristics

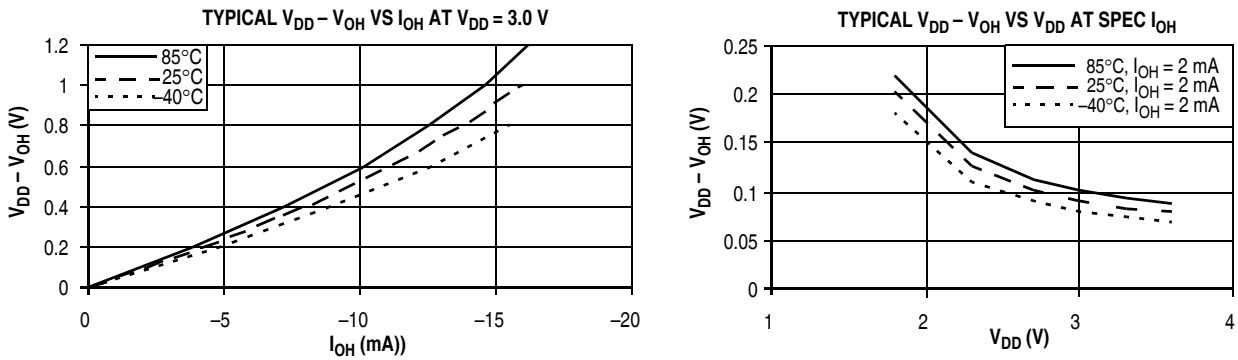


Figure 9. Typical High-Side (Source) Characteristics — Low Drive (PTxDSn = 0)

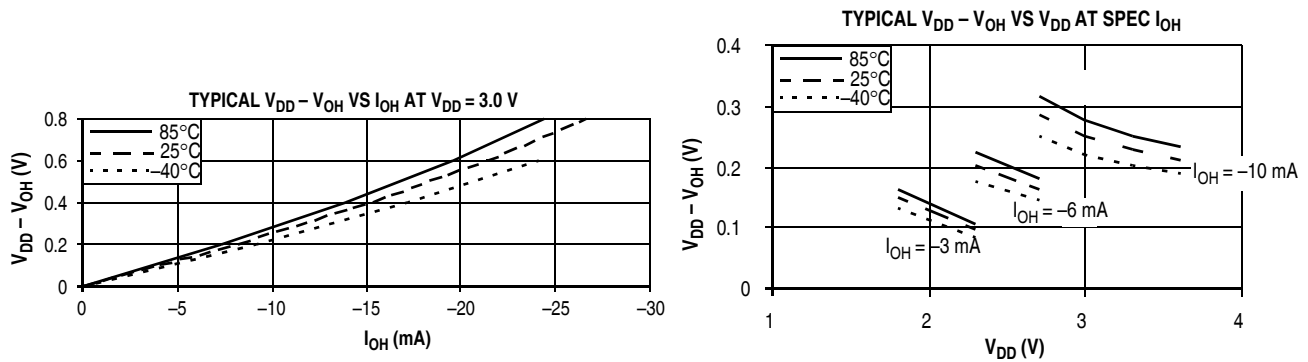


Figure 10. Typical High-Side (Source) Characteristics — High Drive (PTxDSn = 1)

## 3.7 Supply Current Characteristics

This section includes information about power supply current in various operating modes.

Table 8. Supply Current Characteristics

| Num | C     | Parameter  | Symbol       | Bus Freq        | $V_{DD}$ (V) | Typical <sup>1</sup> | Max | Unit    | Temp (°C)    |
|-----|-------|--|--------------|-----------------|--------------|----------------------|-----|---------|--------------|
| 1   | P     | Run supply current<br>FEI mode, all modules on                         | $R_{I_{DD}}$ | 10 MHz          | 3            | 5.60                 | 8.2 | mA      | -40 to 85 °C |
|     | 1 MHz |  |              | 0.80            |              | —                    |     |         |              |
| 2   | T     | Run supply current<br>FEI mode, all modules off                        | $R_{I_{DD}}$ | 10 MHz          | 3            | 3.60                 | —   | mA      | -40 to 85 °C |
|     | T     |  |              | 1 MHz           |              | 0.51                 | —   |         |              |
| 3   | T     | Run supply current<br>LPRS = 0, all modules off                        | $R_{I_{DD}}$ | 16 kHz<br>FBILP | 3            | 165                  | —   | $\mu$ A | -40 to 85 °C |
|     | T     |  |              | 16 kHz<br>FBELP |              | 105                  | —   |         |              |
| 4   | T     | Run supply current<br>LPRS = 1, all modules off; running<br>from flash | $R_{I_{DD}}$ | 16 kHz<br>FBILP | 3            | 77                   | —   | $\mu$ A | -40 to 85 °C |
|     | T     |  |              | 16 kHz<br>FBELP |              | 21                   | —   |         |              |



**Table 8. Supply Current Characteristics (continued)**

| Num | C | Parameter   | Symbol            | Bus Freq     | V <sub>DD</sub> (V) | Typical <sup>1</sup> | Max  | Unit | Temp (°C)    |
|-----|---|---|-------------------|--------------|---------------------|----------------------|------|------|--------------|
| 5   | T | Run supply current<br>LPRS = 1, all modules off; running from RAM | RI <sub>DD</sub>  | 16 kHz FBILP | 3                   | 77                   | —    | μA   | -40 to 85 °C |
|     | T |   |                   | 16 kHz FBELP |                     | 7.3                  | —    |      |              |
| 6   | T | Wait mode supply current<br>FEI mode, all modules off             | WI <sub>DD</sub>  | 10 MHz       | 3                   | 570                  | —    | μA   | -40 to 85 °C |
|     | T |   |                   | 1 MHz        |                     | 290                  | —    |      |              |
| 7   | T | Wait mode supply current<br>LPRS = 1, all modules off             | WI <sub>DD</sub>  | 16 kHz FBELP | 3                   | 1                    | —    | μA   | -40 to 85 °C |
| 8   | P | Stop2 mode supply current   | S2I <sub>DD</sub> | —            | 3                   | 0.3                  | 0.65 | μA   | -40 to 25 °C |
|     | C |   |                   | —            |                     | 0.5                  | 0.8  |      | 70 °C        |
|     | P |   |                   | —            |                     | 1                    | 2.5  |      | 85 °C        |
|     | C |   |                   | —            | 2                   | 0.25                 | 0.50 |      | -40 to 25 °C |
|     | C |   |                   | —            |                     | 0.3                  | 0.6  |      | 70 °C        |
|     | C |   |                   | —            |                     | 0.7                  | 2.0  |      | 85 °C        |
| 9   | P | Stop3 mode supply current<br>no clocks active                     | S3I <sub>DD</sub> | —            | 3                   | 0.4                  | 0.8  | μA   | -40 to 25 °C |
|     | C |   |                   | —            |                     | 1.0                  | 1.8  |      | 70 °C        |
|     | P |   |                   | —            |                     | 3                    | 6    |      | 85 °C        |
|     | C |   |                   | —            | 2                   | 0.35                 | 0.60 |      | -40 to 25 °C |
|     | C |   |                   | —            |                     | 0.8                  | 1.5  |      | 70 °C        |
|     | C |   |                   | —            |                     | 2.5                  | 5.5  |      | 85 °C        |

<sup>1</sup> Data in Typical column was characterized at 3.0 V, 25°C or is typical recommended value.

**Table 9. Stop Mode Adders**

| Num | C | Parameter             | Condition  | Temperature |      |      |      | Units |
|-----|---|-----------------------|--|-------------|------|------|------|-------|
|     |   |                       |  | -40°C       | 25°C | 70°C | 85°C |       |
| 1   | T | LPO                   | —  | 50          | 75   | 100  | 150  | nA    |
| 2   | T | ERREFSTEN             | RANGE = HGO = 0  | 1000        | 1000 | 1100 | 1500 | nA    |
| 3   | T | IREFSTEN <sup>1</sup> | —  | 63          | 70   | 77   | 81   | μA    |
| 4   | T | RTC                   | Does not include clock source current                  | 50          | 75   | 100  | 150  | nA    |
| 5   | T | LVD <sup>1</sup>      | LVDSE = 1  | 90          | 100  | 110  | 115  | μA    |
| 6   | T | ACMP <sup>1</sup>     | Not using the bandgap (BGBE = 0)                       | 18          | 20   | 22   | 23   | μA    |
| 7   | T | ADC <sup>1</sup>      | ADLPC = ADLSMP = 1<br>Not using the bandgap (BGBE = 0) | 95          | 106  | 114  | 120  | μA    |

<sup>1</sup> Not available in stop2 mode.

## Electrical Characteristics

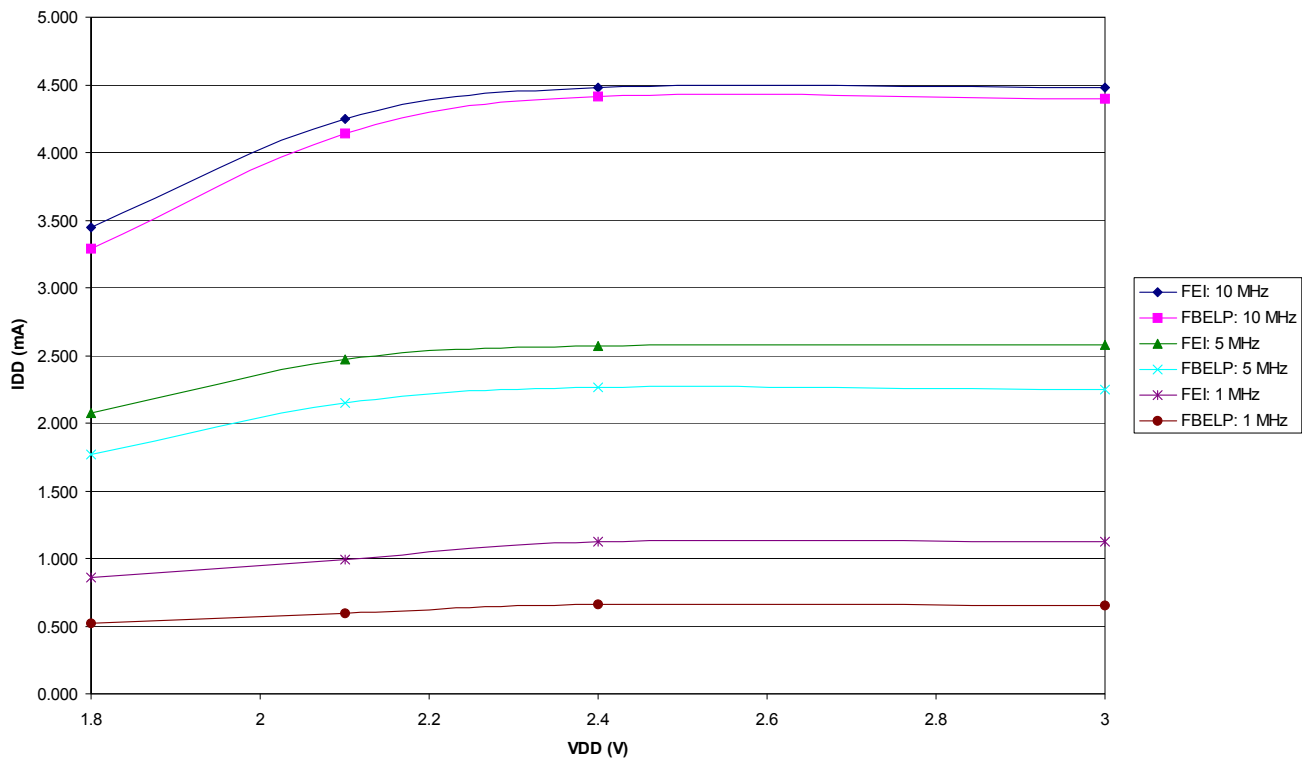


Figure 11. Typical Run  $I_{DD}$  for FBE and FEI,  $I_{DD}$  vs.  $V_{DD}$   
(ADC off, All Other Modules Enabled)

### 3.8 External Oscillator (XOSCVLP) Characteristics

Refer to [Figure 12](#) and [Figure 13](#) for crystal or resonator circuits.

**Table 10. XOSCVLP Specifications (Temperature Range = -40 to 85°C Ambient)**

| Num   | C | Characteristic   | Symbol                   | Min.   | Typical <sup>1</sup> | Max. | Unit              |
|-------|---|--|--------------------------|--|----------------------|------|-------------------|
| 1     | C | Oscillator crystal or resonator (EREFS = 1, ERCLKEN = 1)   | $f_{lo}$                 | 32   | —                    | 38.4 | kHz<br>MHz<br>MHz |
|       |   | Low range (RANGE = 0)  | $f_{hi}$                 | 1  | —                    | 16   |                   |
|       |   | High range (RANGE = 1), high gain (HGO = 1), FBELP mode<br>High range (RANGE = 1), low power (HGO = 0), FBELP mode | $f_{hi}$                 | 1  | —                    | 8    |                   |
| 2     | D | Load capacitors<br>Low range (RANGE=0), low power (HGO = 0)<br>Other oscillator settings                           | $C_1, C_2$               | See Note <sup>2</sup><br>See Note <sup>3</sup> |                      |      |                   |
| 3     | D | Feedback resistor  | $R_F$                    | —  | —                    | —    | M $\Omega$        |
|       |   | Low range, low power (RANGE = 0, HGO = 0) <sup>2</sup>   |                          | —  | 10                   | —    |                   |
|       |   | Low range, high gain (RANGE = 0, HGO = 1)<br>High range (RANGE = 1, HGO = X)                                       |                          | —  | 1                    | —    |                   |
| 4     | D | Series resistor —  | $R_S$                    | —  | —                    | —    | k $\Omega$        |
|       |   | Low range, low power (RANGE = 0, HGO = 0) <sup>2</sup>   |                          | —  | 100                  | —    |                   |
|       |   | Low range, high gain (RANGE = 0, HGO = 1)<br>High range, low power (RANGE = 1, HGO = 0)                            |                          | —  | 0                    | —    |                   |
|       |   | High range, high gain (RANGE = 1, HGO = 1)<br>≥ 8 MHz  |                          | —  | 0                    | 0    |                   |
|       |   | 4 MHz  |                          | —  | 0                    | 10   |                   |
| 1 MHz | — | 0  | 20                       |  |                      |      |                   |
| 5     | C | Crystal start-up time <sup>4</sup>   | $t_{CSTL}$<br>$t_{CSTH}$ | —  | 600                  | —    | ms                |
|       |   | Low range, low power   |                          | —  | 400                  | —    |                   |
|       |   | Low range, high gain   |                          | —  | 5                    | —    |                   |
|       |   | High range, low power<br>High range, high gain   |                          | —  | 15                   | —    |                   |
| 6     | D | Square wave input clock frequency (EREFS = 0, ERCLKEN = 1)   | $f_{extal}$              | 0.03125  | —                    | 20   | MHz<br>MHz        |
|       |   | FEE mode<br>FBE or FBELP mode  |                          | 0  | —                    | 20   |                   |

<sup>1</sup> Data in Typical column was characterized at 3.0 V, 25 °C or is typical recommended value.

<sup>2</sup> Load capacitors ( $C_1, C_2$ ), feedback resistor ( $R_F$ ) and series resistor ( $R_S$ ) are incorporated internally when RANGE = HGO = 0.

<sup>3</sup> See crystal or resonator manufacturer's recommendation.

<sup>4</sup> Proper PC board layout procedures must be followed to achieve specifications.

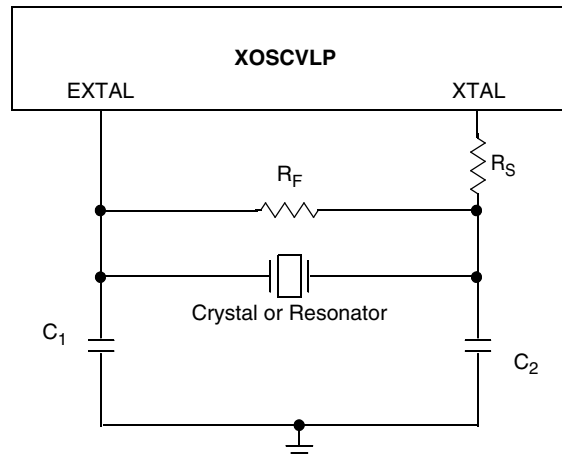


Figure 12. Typical Crystal or Resonator Circuit: High Range and Low Range/High Gain

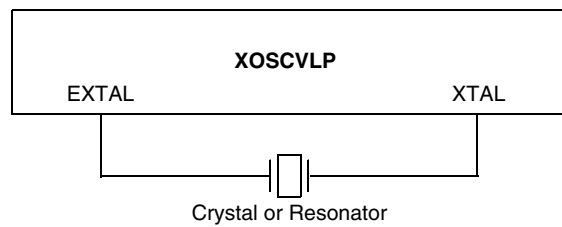


Figure 13. Typical Crystal or Resonator Circuit: Low Range/Low Power

### 3.9 Internal Clock Source (ICS) Characteristics

Table 11. ICS Frequency Specifications (Temperature Range = -40 to 85°C Ambient)

| Num | C | Characteristic  | Symbol                   | Min.  | Typical <sup>1</sup> | Max.  | Unit        |
|-----|---|---|--------------------------|-------|----------------------|-------|-------------|
| 1   | P | Average internal reference frequency — factory trimmed at $V_{DD} = 3.6\text{ V}$ and temperature = 25 °C | $f_{int\_t}$             | —     | 32.768               | —     | kHz         |
| 2   | P | Internal reference frequency — user trimmed   | $f_{int\_ut}$            | 31.25 | —                    | 39.06 | kHz         |
| 3   | T | Internal reference start-up time  | $t_{IRST}$               | —     | 5                    | 10    | μs          |
| 4   | P | DCO output frequency range — trimmed <sup>2</sup>   | $f_{dco\_t}$             | 16    | —                    | 20    | MHz         |
|     |   | Low range (DRS = 00)  |                          |       |                      |       |             |
| 5   | P | DCO output frequency <sup>2</sup><br>Reference = 32768 Hz and DMX32 = 1                                   | $f_{dco\_DMX32}$         | —     | 19.92                | —     | MHz         |
| 6   | C | Resolution of trimmed DCO output frequency at fixed voltage and temperature (using FTRIM)                 | $\Delta f_{dco\_res\_t}$ | —     | ±0.1                 | ±0.2  | % $f_{dco}$ |

**Table 11. ICS Frequency Specifications (Temperature Range = -40 to 85°C Ambient) (continued)**

| Num | C | Characteristic   | Symbol                          | Min. | Typical <sup>1</sup>     | Max.               | Unit               |
|-----|---|--|---------------------------------|------|--------------------------|--------------------|--------------------|
| 7   | C | Resolution of trimmed DCO output frequency at fixed voltage and temperature (not using FTRIM)  | $\Delta f_{\text{dco\_res\_t}}$ | —    | $\pm 0.2$                | $\pm 0.4$          | % $f_{\text{dco}}$ |
| 8   | C | Total deviation of DCO output from trimmed frequency <sup>3</sup><br>Over full voltage and temperature range<br>Over fixed voltage and temperature range of 0 to 70 °C | $\Delta f_{\text{dco\_t}}$      | —    | -1.0 to 0.5<br>$\pm 0.5$ | $\pm 2$<br>$\pm 1$ | % $f_{\text{dco}}$ |
| 10  | C | FLL acquisition time <sup>4</sup>  | $t_{\text{Acquire}}$            | —    | —                        | 1                  | ms                 |
| 11  | C | Long term jitter of DCO output clock (averaged over 2-ms interval) <sup>5</sup>  | $C_{\text{Jitter}}$             | —    | 0.02                     | 0.2                | % $f_{\text{dco}}$ |

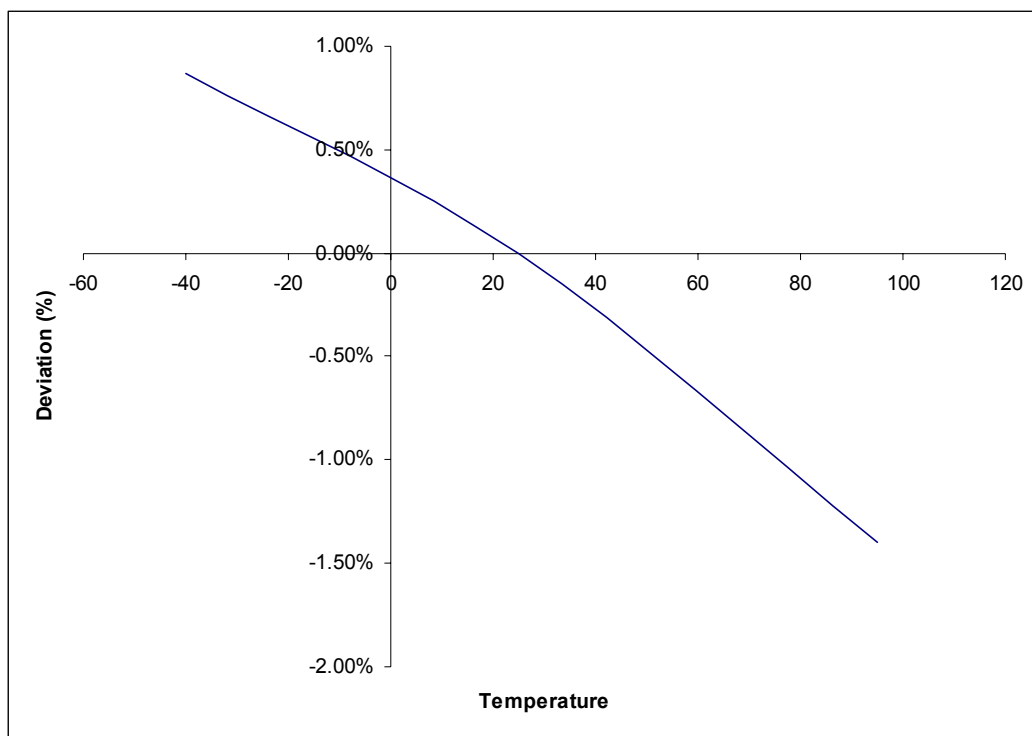
<sup>1</sup> Data in Typical column was characterized at 3.0 V, 25 °C or is typical recommended value.

<sup>2</sup> The resulting bus clock frequency should not exceed the maximum specified bus clock frequency of the device.

<sup>3</sup> This parameter is characterized and not tested on each device.

<sup>4</sup> This specification applies to any time the FLL reference source or reference divider is changed, trim value changed or changing from FLL disabled (FBELP, FBILP) to FLL enabled (FEI, FEE, FBE, FBI). If a crystal/resonator is being used as the reference, this specification assumes it is already running.

<sup>5</sup> Jitter is the average deviation from the programmed frequency measured over the specified interval at maximum  $f_{\text{BUS}}$ . Measurements are made with the device powered by filtered supplies and clocked by a stable external clock signal. Noise injected into the FLL circuitry via  $V_{\text{DD}}$  and  $V_{\text{SS}}$  and variation in crystal oscillator frequency increase the  $C_{\text{Jitter}}$  percentage for a given interval.


**Figure 14. Deviation of DCO Output from Trimmed Frequency (20 MHz, 3.0 V)**

### 3.10 AC Characteristics

This section describes timing characteristics for each peripheral system.

#### 3.10.1 Control Timing

Table 12. Control Timing

| Num | C | Rating  | Symbol               | Min                         | Typical <sup>1</sup> | Max    | Unit    |
|-----|---|---|----------------------|-----------------------------|----------------------|--------|---------|
| 1   | D | Bus frequency ( $t_{cyc} = 1/f_{Bus}$ )   | $f_{Bus}$            | dc                          | —                    | 10     | MHz     |
| 2   | D | Internal low power oscillator period  | $t_{LPO}$            | 700                         | —                    | 1300   | $\mu s$ |
| 3   | D | External reset pulse width <sup>2</sup>   | $t_{extrst}$         | 100                         | —                    | —      | ns      |
| 4   | D | Reset low drive   | $t_{rstdrv}$         | $34 \times t_{cyc}$         | —                    | —      | ns      |
| 5   | D | BKGD/MS setup time after issuing background debug force reset to enter user or BDM modes  | $t_{MSSU}$           | 500                         | —                    | —      | ns      |
| 6   | D | BKGD/MS hold time after issuing background debug force reset to enter user or BDM modes <sup>3</sup>  | $t_{MSH}$            | 100                         | —                    | —      | $\mu s$ |
| 7   | D | IRQ pulse width<br>Asynchronous path <sup>2</sup><br>Synchronous path <sup>4</sup>  | $t_{LIH}, t_{HIL}$   | 100<br>$1.5 \times t_{cyc}$ | —<br>—               | —<br>— | ns      |
| 8   | D | Keyboard interrupt pulse width<br>Asynchronous path <sup>2</sup><br>Synchronous path <sup>4</sup>   | $t_{LIH}, t_{HIL}$   | 100<br>$1.5 \times t_{cyc}$ | —<br>—               | —<br>— | ns      |
| 9   | C | Port rise and fall time —<br>Low output drive (PTxDS = 0) (load = 50 pF) <sup>5</sup><br>Slew rate control disabled (PTxSE = 0)<br>Slew rate control enabled (PTxSE = 1)  | $t_{Rise}, t_{Fall}$ | —<br>—                      | 16<br>23             | —<br>— | ns      |
|     |   | Port rise and fall time —<br>High output drive (PTxDS = 1) (load = 50 pF) <sup>5</sup><br>Slew rate control disabled (PTxSE = 0)<br>Slew rate control enabled (PTxSE = 1) | $t_{Rise}, t_{Fall}$ | —<br>—                      | 5<br>9               | —<br>— | ns      |
| 10  | C | Voltage regulator recovery time   | $t_{VRR}$            | —                           | 4                    | —      | $\mu s$ |

<sup>1</sup> Typical values are based on characterization data at  $V_{DD} = 3.0 V$ , 25 °C unless otherwise stated.  
<sup>2</sup> This is the shortest pulse that is guaranteed to be recognized as a reset pin request.  
<sup>3</sup> To enter BDM mode following a POR, BKGD/MS should be held low during the power-up and for a hold time of  $t_{MSH}$  after  $V_{DD}$  rises above  $V_{LVD}$ .  
<sup>4</sup> This is the minimum pulse width that is guaranteed to pass through the pin synchronization circuitry. Shorter pulses may or may not be recognized. In stop mode, the synchronizer is bypassed so shorter pulses can be recognized.  
<sup>5</sup> Timing is shown with respect to 20%  $V_{DD}$  and 80%  $V_{DD}$  levels. Temperature range -40°C to 85°C.

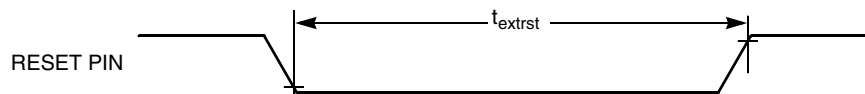


Figure 15. Reset Timing

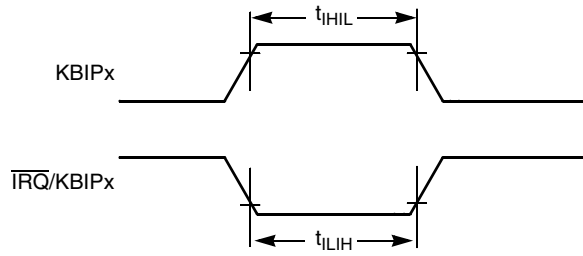


Figure 16.  $\overline{\text{IRQ}}/\text{KBIPx}$  Timing

### 3.10.2 TPM Module Timing

Synchronizer circuits determine the shortest input pulses that can be recognized or the fastest clock that can be used as the optional external source to the timer counter. These synchronizers operate from the current bus rate clock.

Table 13. TPM Input Timing

| No. | C | Function                  | Symbol            | Min | Max                | Unit             |
|-----|---|---------------------------|-------------------|-----|--------------------|------------------|
| 1   | D | External clock frequency  | $f_{\text{TCLK}}$ | 0   | $f_{\text{Bus}}/4$ | Hz               |
| 2   | D | External clock period     | $t_{\text{TCLK}}$ | 4   | —                  | $t_{\text{cyc}}$ |
| 3   | D | External clock high time  | $t_{\text{clkh}}$ | 1.5 | —                  | $t_{\text{cyc}}$ |
| 4   | D | External clock low time   | $t_{\text{clkl}}$ | 1.5 | —                  | $t_{\text{cyc}}$ |
| 5   | D | Input capture pulse width | $t_{\text{ICPW}}$ | 1.5 | —                  | $t_{\text{cyc}}$ |

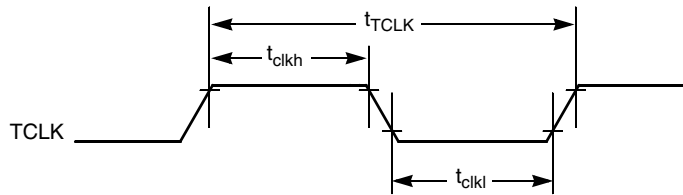


Figure 17. Timer External Clock

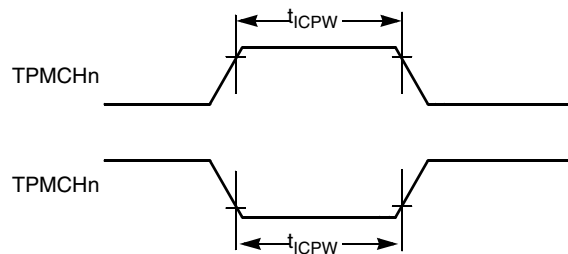


Figure 18. Timer Input Capture Pulse

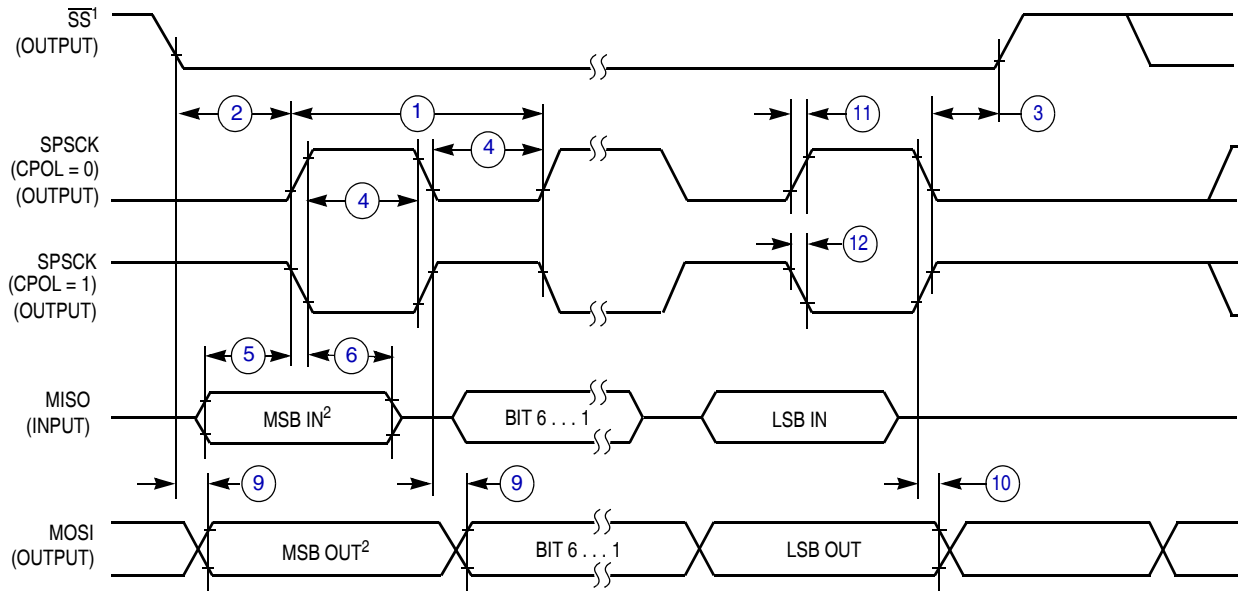
### 3.10.3 SPI Timing

Table 14 and Figure 19 through Figure 22 describe the timing requirements for the SPI system.

**Table 14. SPI Timing**

| No. | C | Function  | Symbol               | Min                              | Max                        | Unit                     |
|-----|---|---|----------------------|----------------------------------|----------------------------|--------------------------|
| —   | D | Operating frequency<br>Master<br>Slave            | $f_{op}$             | $f_{Bus}/2048$<br>0              | $f_{Bus}/2$<br>$f_{Bus}/4$ | Hz                       |
| 1   | D | SPSCK period<br>Master<br>Slave                   | $t_{SPSCK}$          | 2<br>4                           | 2048<br>—                  | $t_{cyc}$<br>$t_{cyc}$   |
| 2   | D | Enable lead time<br>Master<br>Slave               | $t_{Lead}$           | 1/2<br>1                         | —<br>—                     | $t_{SPSCK}$<br>$t_{cyc}$ |
| 3   | D | Enable lag time<br>Master<br>Slave                | $t_{Lag}$            | 1/2<br>1                         | —<br>—                     | $t_{SPSCK}$<br>$t_{cyc}$ |
| 4   | D | Clock (SPSCK) high or low time<br>Master<br>Slave | $t_{WSPSCK}$         | $t_{cyc} - 30$<br>$t_{cyc} - 30$ | 1024 $t_{cyc}$<br>—        | ns<br>ns                 |
| 5   | D | Data setup time (inputs)<br>Master<br>Slave       | $t_{SU}$             | 15<br>15                         | —<br>—                     | ns<br>ns                 |
| 6   | D | Data hold time (inputs)<br>Master<br>Slave        | $t_{HI}$             | 0<br>25                          | —<br>—                     | ns<br>ns                 |
| 7   | D | Slave access time                                 | $t_a$                | —                                | 1                          | $t_{cyc}$                |
| 8   | D | Slave MISO disable time                           | $t_{dis}$            | —                                | 1                          | $t_{cyc}$                |
| 9   | D | Data valid (after SPSCK edge)<br>Master<br>Slave  | $t_v$                | —<br>—                           | 25<br>25                   | ns<br>ns                 |
| 10  | D | Data hold time (outputs)<br>Master<br>Slave       | $t_{HO}$             | 0<br>0                           | —<br>—                     | ns<br>ns                 |
| 11  | D | Rise time<br>Input<br>Output                      | $t_{RI}$<br>$t_{RO}$ | —<br>—                           | $t_{cyc} - 25$<br>25       | ns<br>ns                 |
| 12  | D | Fall time<br>Input<br>Output                      | $t_{FI}$<br>$t_{FO}$ | —<br>—                           | $t_{cyc} - 25$<br>25       | ns<br>ns                 |

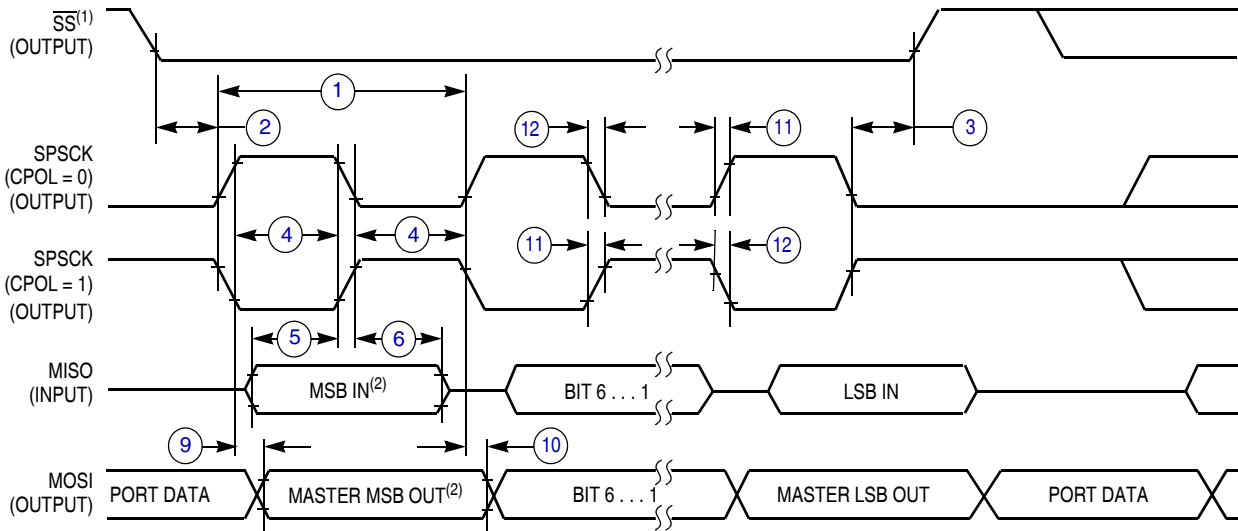




NOTES:

1.  $\overline{SS}$  output mode (DDS7 = 1, SSOE = 1).
2. LSBF = 0. For LSBF = 1, bit order is LSB, bit 1, ..., bit 6, MSB.

**Figure 19. SPI Master Timing (CPHA = 0)**

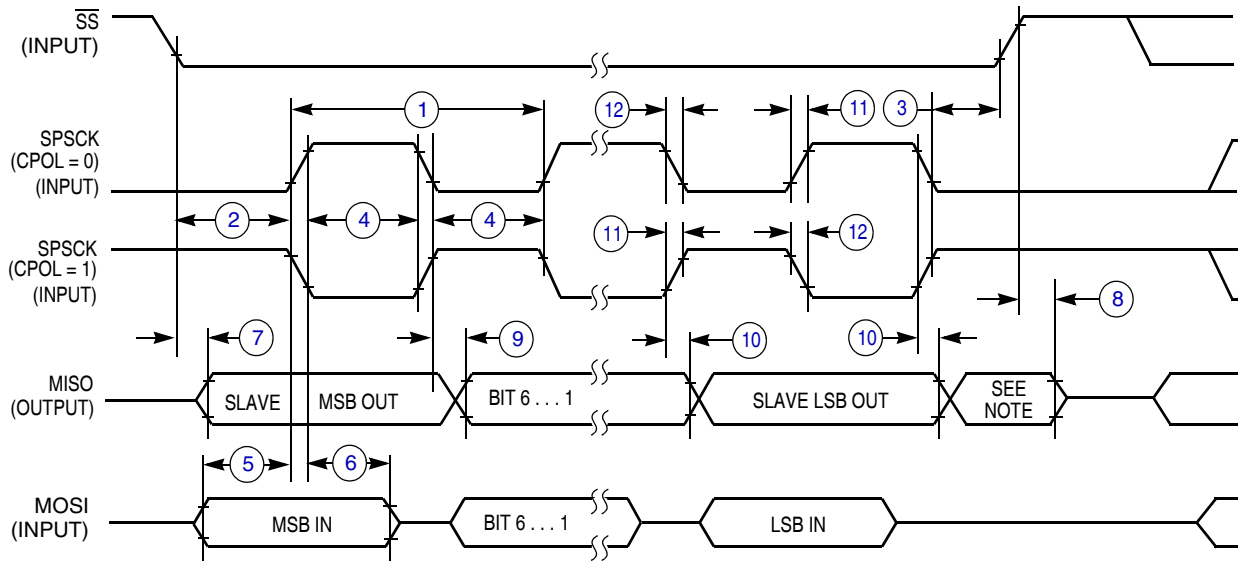


NOTES:

1.  $\overline{SS}$  output mode (DDS7 = 1, SSOE = 1).
2. LSBF = 0. For LSBF = 1, bit order is LSB, bit 1, ..., bit 6, MSB.

**Figure 20. SPI Master Timing (CPHA = 1)**

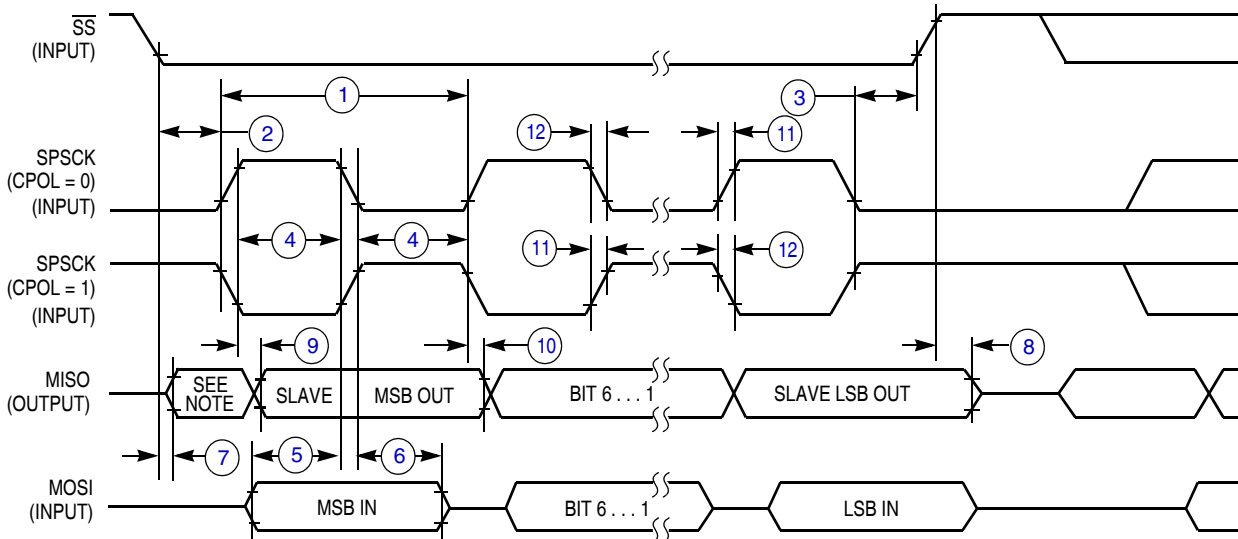
## Electrical Characteristics



NOTE:

1. Not defined but normally MSB of character just received

**Figure 21. SPI Slave Timing (CPHA = 0)**



NOTE:

1. Not defined but normally LSB of character just received

**Figure 22. SPI Slave Timing (CPHA = 1)**

## 3.11 Analog Comparator (ACMP) Electricals

**Table 15. Analog Comparator Electrical Specifications**

| C | Characteristic          | Symbol     | Min | Typical | Max | Unit    |
|---|-------------------------|------------|-----|---------|-----|---------|
| D | Supply voltage          | $V_{DD}$   | 1.8 | —       | 3.6 | V       |
| P | Supply current (active) | $I_{DDAC}$ | —   | 20      | 35  | $\mu A$ |

Table 15. Analog Comparator Electrical Specifications (continued)

| C | Characteristic                         | Symbol      | Min            | Typical | Max      | Unit    |
|---|--|-------------|----------------|---------|----------|---------|
| D | Analog input voltage                   | $V_{AIN}$   | $V_{SS} - 0.3$ | —       | $V_{DD}$ | V       |
| P | Analog input offset voltage            | $V_{AIO}$   | —              | 20      | 40       | mV      |
| C | Analog comparator hysteresis           | $V_H$       | 3.0            | 9.0     | 15.0     | mV      |
| P | Analog input leakage current           | $I_{ALKG}$  | —              | —       | 1.0      | $\mu A$ |
| C | Analog comparator initialization delay | $t_{AINIT}$ | —              | —       | 1.0      | $\mu s$ |

### 3.12 ADC Characteristics

Table 16. 12-Bit ADC Operating Conditions

| Characteristic             | Conditions  | Symb             | Min        | Typical <sup>1</sup> | Max        | Unit       | Comment         |
|----------------------------|---|------------------|------------|----------------------|------------|------------|-----------------|
| Supply voltage             | Absolute  | $V_{DDA}$        | 1.8        | —                    | 3.6        | V          | —               |
|                            | Delta to $V_{DD}$ ( $V_{DD} - V_{DDA}$ ) <sup>2</sup>   | $\Delta V_{DDA}$ | -100       | 0                    | 100        | mV         | —               |
| Ground voltage             | Delta to $V_{SS}$ ( $V_{SS} - V_{SSA}$ ) <sup>2</sup>   | $\Delta V_{SSA}$ | -100       | 0                    | 100        | mV         | —               |
| Input voltage              | —   | $V_{ADIN}$       | $V_{REFL}$ | —                    | $V_{REFH}$ | V          | —               |
| Input capacitance          | —   | $C_{ADIN}$       | —          | 4.5                  | 5.5        | pF         | —               |
| Input resistance           | —   | $R_{ADIN}$       | —          | 5                    | 7          | k $\Omega$ | —               |
| Analog source resistance   | 12-bit mode<br>$f_{ADCK} > 4$ MHz<br>$f_{ADCK} < 4$ MHz | $R_{AS}$         | —          | —                    | 2          | k $\Omega$ | External to MCU |
|                            | 10-bit mode<br>$f_{ADCK} > 4$ MHz<br>$f_{ADCK} < 4$ MHz |                  | —          | —                    | 5          |            |                 |
|                            | 8-bit mode (all valid $f_{ADCK}$ )                      |                  | —          | —                    | 10         |            |                 |
| ADC conversion clock freq. | High speed (ADLPC = 0)                                  | $f_{ADCK}$       | 0.4        | —                    | 8.0        | MHz        | —               |
|                            | Low power (ADLPC = 1)                                   |                  | 0.4        | —                    | 4.0        |            |                 |

<sup>1</sup> Typical values assume  $V_{DDA} = 3.0$  V, Temp = 25 °C,  $f_{ADCK} = 1.0$  MHz unless otherwise stated. Typical values are for reference only and are not tested in production.

<sup>2</sup> DC potential difference.

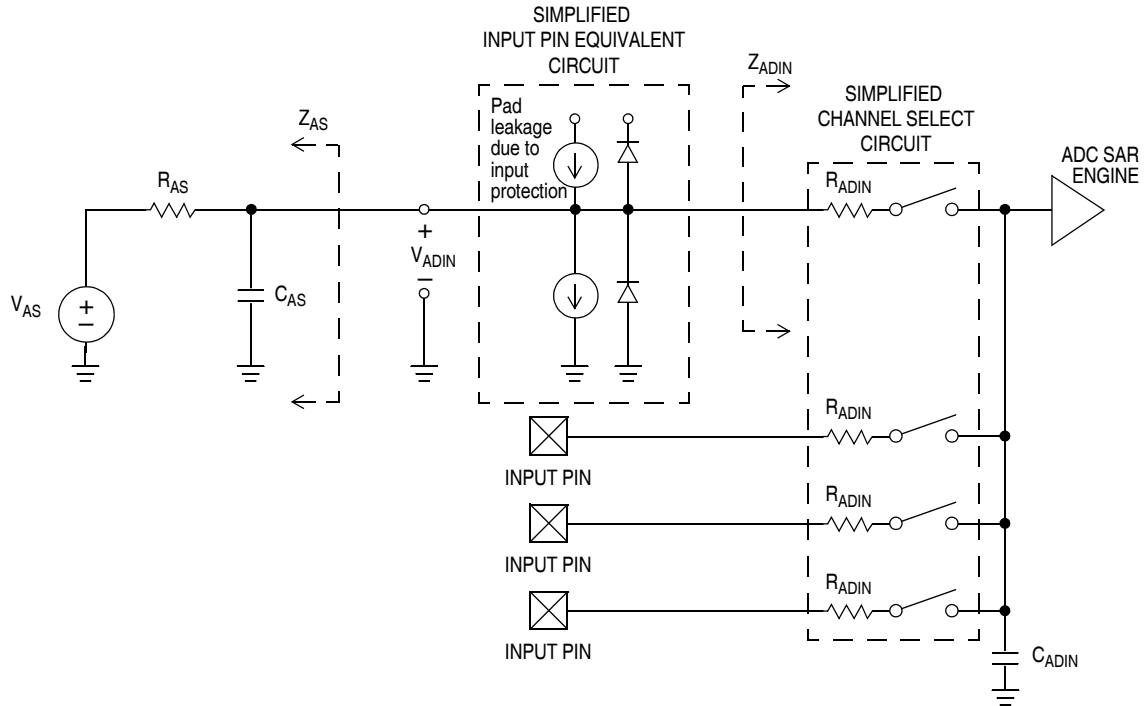


Figure 23. ADC Input Impedance Equivalency Diagram

Table 17. ADC Characteristics ( $V_{REFH} = V_{DDA}$ ,  $V_{REFL} = V_{SSA}$ )

| C | Characteristic  | Conditions             | Symbol      | Min  | Typ <sup>1</sup> | Max | Unit          | Comment                   |
|---|---|------------------------|-------------|------|------------------|-----|---------------|---------------------------|
| T | Supply current<br>ADLPC = 1<br>ADLSMP = 1<br>ADCO = 1 |                        | $I_{DDA}$   | —    | 120              | —   | $\mu\text{A}$ |                           |
| T | Supply current<br>ADLPC = 1<br>ADLSMP = 0<br>ADCO = 1 |                        | $I_{DDA}$   | —    | 202              | —   | $\mu\text{A}$ |                           |
| T | Supply current<br>ADLPC = 0<br>ADLSMP = 1<br>ADCO = 1 |                        | $I_{DDA}$   | —    | 288              | —   | $\mu\text{A}$ |                           |
| P | Supply current<br>ADLPC = 0<br>ADLSMP = 0<br>ADCO = 1 |                        | $I_{DDA}$   | —    | 0.532            | 1   | mA            |                           |
| P | ADC asynchronous clock source                         | High speed (ADLPC = 0) | $f_{ADACK}$ | 2    | 3.3              | 5   | MHz           | $t_{ADACK} = 1/f_{ADACK}$ |
|   |   | Low power (ADLPC = 1)  |             | 1.25 | 2                | 3.3 |               |                           |

Table 17. ADC Characteristics ( $V_{REFH} = V_{DDA}$ ,  $V_{REFL} = V_{SSA}$ ) (continued)

| C  | Characteristic                          | Conditions                          | Symbol       | Min | Typ <sup>1</sup> | Max          | Unit             | Comment  |
|--|---|-------------------------------------|--------------|-----|------------------|--------------|------------------|--|
| P  | Conversion time (including sample time) | Short sample (ADLSMP = 0)           | $t_{ADC}$    | —   | 20               | —            | ADCK cycles      | See QE8 reference manual for conversion time variances |
|  |   | Long sample (ADLSMP = 1)            |              | —   | 40               | —            |                  |  |
| P  | Sample time                             | Short sample (ADLSMP = 0)           | $t_{ADS}$    | —   | 3.5              | —            | ADCK cycles      |  |
|  |   | Long sample (ADLSMP = 1)            |              | —   | 23.5             | —            |                  |  |
| D  | Temp sensor slope                       | –40 °C– 25 °C                       | m            | —   | 1.646            | —            | mV/°C            |  |
|  |   | 25 °C– 85 °C                        |              | —   | 1.769            | —            |                  |  |
| D  | Temp sensor voltage                     | 25 °C                               | $V_{TEMP25}$ | —   | 701.2            | —            | mV               |  |
| <b>Characteristics for devices with dedicated analog supply (28- and 32-pin packages only)</b> |   |                                     |              |     |                  |              |                  |  |
| T  | Total unadjusted error                  | 12-bit mode, $3.6 > V_{DDA} > 2.7$  | $E_{TUE}$    | —   | –1 to 3          | –2.5 to 5.5  | LSB <sup>2</sup> | Includes quantization                                  |
| T  |   | 12-bit mode, $2.7 > V_{DDA} > 1.8V$ |              | —   | –1 to 3          | –3.0 to 6.5  |                  |  |
| P  |   | 10-bit mode                         |              | —   | ±1               | ±2.5         |                  |  |
| P  |   | 8-bit mode                          |              | —   | ±0.5             | ±1.0         |                  |  |
| T  | Differential non-linearity              | 12-bit mode                         | DNL          | —   | ±1.0             | –1.5 to 2.0  | LSB <sup>2</sup> |  |
| P  |   | 10-bit mode <sup>3</sup>            |              | —   | ±0.5             | ±1.0         |                  |  |
| P  |   | 8-bit mode <sup>3</sup>             |              | —   | ±0.3             | ±0.5         |                  |  |
| T  | Integral non-linearity                  | 12-bit mode                         | INL          | —   | ±1.5             | –2.5 to 2.75 | LSB <sup>2</sup> |  |
| T  |   | 10-bit mode                         |              | —   | ±0.5             | ±1.0         |                  |  |
| T  |   | 8-bit mode                          |              | —   | ±0.3             | ±0.5         |                  |  |
| T  | Zero-scale error                        | 12-bit mode                         | $E_{ZS}$     | —   | ±1.5             | ±2.5         | LSB <sup>2</sup> | $V_{ADIN} = V_{SSA}$                                   |
| P  |   | 10-bit mode                         |              | —   | ±0.5             | ±1.5         |                  |  |
| P  |   | 8-bit mode                          |              | —   | ±0.5             | ±0.5         |                  |  |
| T  | Full-scale error                        | 12-bit mode                         | $E_{FS}$     | —   | ±1.0             | –3.5 to 1.0  | LSB <sup>2</sup> | $V_{ADIN} = V_{DDA}$                                   |
| P  |   | 10-bit mode                         |              | —   | ±0.5             | ±1           |                  |  |
| P  |   | 8-bit mode                          |              | —   | ±0.5             | ±0.5         |                  |  |
| D  | Quantization error                      | 12-bit mode                         | $E_Q$        | —   | –1 to 0          | —            | LSB <sup>2</sup> |  |
|  |   | 10-bit mode                         |              | —   | —                | ±0.5         |                  |  |
|  |   | 8-bit mode                          |              | —   | —                | ±0.5         |                  |  |

Electrical Characteristics

Table 17. ADC Characteristics ( $V_{REFH} = V_{DDA}$ ,  $V_{REFL} = V_{SSA}$ ) (continued)

| C  | Characteristic             | Conditions               | Symbol    | Min                   | Typ <sup>1</sup> | Max  | Unit             | Comment                                |
|--|----------------------------|--------------------------|-----------|-----------------------|------------------|------|------------------|--|
| D  | Input leakage error        | 12-bit mode              | $E_{IL}$  | —                     | ±2               | —    | LSB <sup>2</sup> | Pad leakage <sup>4</sup> *<br>$R_{AS}$ |
|  |                            | 10-bit mode              |           | —                     | ±0.2             | ±4   |                  |  |
|  |                            | 8-bit mode               |           | —                     | ±0.1             | ±1.2 |                  |  |
| <b>Characteristics for devices with shared supply (16- and 20-pin packages only)</b> |                            |                          |           |                       |                  |      |                  |  |
| T  | Total unadjusted error     | 12-bit mode              | $E_{TUE}$ | Not recommended usage |                  |      | LSB <sup>2</sup> | Includes quantization                  |
| P  |                            | 10-bit mode              |           | —                     | ±1.5             | ±3.5 |                  |  |
| P  |                            | 8-bit mode               |           | —                     | ±0.7             | ±1.5 |                  |  |
| T  | Differential non-linearity | 12-bit mode              | DNL       | Not recommended usage |                  |      | LSB <sup>2</sup> |  |
| P  |                            | 10-bit mode <sup>3</sup> |           | —                     | ±0.5             | ±1.0 |                  |  |
| P  |                            | 8-bit mode <sup>3</sup>  |           | —                     | ±0.3             | ±0.5 |                  |  |
| T  | Integral non-linearity     | 12-bit mode              | INL       | Not recommended usage |                  |      | LSB <sup>2</sup> |  |
| T  |                            | 10-bit mode              |           | —                     | ±0.5             | ±1.0 |                  |  |
| T  |                            | 8-bit mode               |           | —                     | ±0.3             | ±0.5 |                  |  |
| T  | Zero-scale error           | 12-bit mode              | $E_{ZS}$  | Not recommended usage |                  |      | LSB <sup>2</sup> | $V_{ADIN} = V_{SSA}$                   |
| P  |                            | 10-bit mode              |           | —                     | ±1.5             | ±2.1 |                  |  |
| P  |                            | 8-bit mode               |           | —                     | ±0.5             | ±0.7 |                  |  |
| T  | Full-scale error           | 12-bit mode              | $E_{FS}$  | Not recommended usage |                  |      | LSB <sup>2</sup> | $V_{ADIN} = V_{DDA}$                   |
| P  |                            | 10-bit mode              |           | —                     | ±1               | ±1.5 |                  |  |
| P  |                            | 8-bit mode               |           | —                     | ±0.5             | ±0.5 |                  |  |
| D  | Quantization error         | 12-bit mode              | $E_Q$     | Not recommended usage |                  |      | LSB <sup>2</sup> |  |
|  |                            | 10-bit mode              |           | —                     | —                | ±0.5 |                  |  |
|  |                            | 8-bit mode               |           | —                     | —                | ±0.5 |                  |  |
| D  | Input leakage error        | 12-bit mode              | $E_{IL}$  | Not recommended usage |                  |      | LSB <sup>2</sup> | Pad leakage <sup>4</sup> *<br>$R_{AS}$ |
|  |                            | 10-bit mode              |           | —                     | ±0.2             | ±4   |                  |  |
|  |                            | 8-bit mode               |           | —                     | ±0.1             | ±1.2 |                  |  |

<sup>1</sup> Typical values assume  $V_{DDA} = 3.0$  V, Temp = 25 °C,  $f_{ADCK} = 1.0$  MHz unless otherwise stated. Typical values are for reference only and are not tested in production.

<sup>2</sup>  $1 \text{ LSB} = (V_{REFH} - V_{REFL})/2^N$

<sup>3</sup> Monotonicity and No-missing-codes guaranteed in 10-bit and 8-bit modes

<sup>4</sup> Based on input pad leakage current. Refer to pad electricals.

### 3.13 Flash Specifications

This section provides details about program/erase times and program-erase endurance for the flash memory.

Program and erase operations do not require any special power sources other than the normal  $V_{DD}$  supply. For more detailed information about program/erase operations, see the Memory section.

**Table 18. Flash Characteristics**

| C | Characteristic   | Symbol                  | Min    | Typical      | Max  | Unit              |
|---|--|-------------------------|--------|--------------|------|-------------------|
| D | Supply voltage for program/erase<br>–40 °C to 85 °C                                    | $V_{\text{prog/erase}}$ | 1.8    | —            | 3.6  | V                 |
| D | Supply voltage for read operation  | $V_{\text{Read}}$       | 1.8    | —            | 3.6  | V                 |
| D | Internal FCLK frequency <sup>1</sup>   | $f_{\text{FCLK}}$       | 150    | —            | 200  | kHz               |
| D | Internal FCLK period (1/FCLK)  | $t_{\text{Fcyc}}$       | 5      | —            | 6.67 | μs                |
| P | Byte program time (random location) <sup>2</sup>                                       | $t_{\text{prog}}$       | 9      |              |      | $t_{\text{Fcyc}}$ |
| P | Byte program time (burst mode) <sup>2</sup>  | $t_{\text{Burst}}$      | 4      |              |      | $t_{\text{Fcyc}}$ |
| P | Page erase time <sup>2</sup>   | $t_{\text{Page}}$       | 4000   |              |      | $t_{\text{Fcyc}}$ |
| P | Mass erase time <sup>2</sup>   | $t_{\text{Mass}}$       | 20,000 |              |      | $t_{\text{Fcyc}}$ |
|   | Byte program current <sup>3</sup>  | $R_{\text{IDDBP}}$      | —      | 4            | —    | mA                |
|   | Page erase current <sup>3</sup>  | $R_{\text{IDDPE}}$      | —      | 6            | —    | mA                |
| C | Program/erase endurance <sup>4</sup><br>$T_L$ to $T_H$ = –40°C to 85 °C<br>$T = 25$ °C |                         | 10,000 | —<br>100,000 | —    | cycles            |
| C | Data retention <sup>5</sup>  | $t_{\text{D\_ret}}$     | 15     | 100          | —    | years             |

<sup>1</sup> The frequency of this clock is controlled by a software setting.

<sup>2</sup> These values are hardware state machine controlled. User code does not need to count cycles. This information supplied for calculating approximate time to program and erase.

<sup>3</sup> The program and erase currents are additional to the standard run  $I_{DD}$ . These values are measured at room temperatures with  $V_{DD} = 3.0$  V, bus frequency = 4.0 MHz.

<sup>4</sup> **Typical endurance for flash** was evaluated for this product family on the 9S12Dx64. For additional information on how Freescale defines typical endurance, please refer to Engineering Bulletin EB619, *Typical Endurance for Nonvolatile Memory*.

<sup>5</sup> **Typical data retention** values are based on intrinsic capability of the technology measured at high temperature and de-rated to 25°C using the Arrhenius equation. For additional information on how Freescale defines typical data retention, please refer to Engineering Bulletin EB618, *Typical Data Retention for Nonvolatile Memory*.

### 3.14 EMC Performance

Electromagnetic compatibility (EMC) performance is highly dependant on the environment in which the MCU resides. Board design and layout, circuit topology choices, location and characteristics of external components as well as MCU software operation all play a significant role in EMC performance. The system designer should consult Freescale applications notes such as AN2321, AN1050, AN1263, AN2764, and AN1259 for advice and guidance specifically targeted at optimizing EMC performance.

### 3.14.1 Conducted Transient Susceptibility

Microcontroller transient conducted susceptibility is measured in accordance with an internal Freescale test method. The measurement is performed with the microcontroller installed on a custom EMC evaluation board and running specialized EMC test software designed in compliance with the test method. The conducted susceptibility is determined by injecting the transient susceptibility signal on each pin of the microcontroller. The transient waveform and injection methodology is based on IEC 61000-4-4 (EFT/B). The transient voltage required to cause performance degradation on any pin in the tested configuration is greater than or equal to the reported levels unless otherwise indicated by footnotes below Table 19.

**Table 19. Conducted Susceptibility, EFT/B**

| Parameter   | Symbol        | Conditions   | $f_{osc}/f_{BUS}$             | Result | Amplitude <sup>1</sup><br>(Min) | Unit |
|---|---------------|--|-------------------------------|--------|---------------------------------|------|
| Conducted susceptibility, electrical fast transient/burst (EFT/B) | $V_{CS\_EFT}$ | $V_{DD} = 3.3\text{ V}$<br>$T_A = 25\text{ °C}$<br>package type<br>32-pin LQFP | 8 MHz<br>crystal<br>8 MHz bus | A      | 2.3                             | kV   |
|   |               |  |                               | B      | 4.0                             |      |
|   |               |  |                               | C      | >4.0                            |      |
|   |               |  |                               | D      | >4.0                            |      |

<sup>1</sup> Data based on qualification test results. Not tested in production.

The susceptibility performance classification is described in Table 20.

**Table 20. Susceptibility Performance Classification**

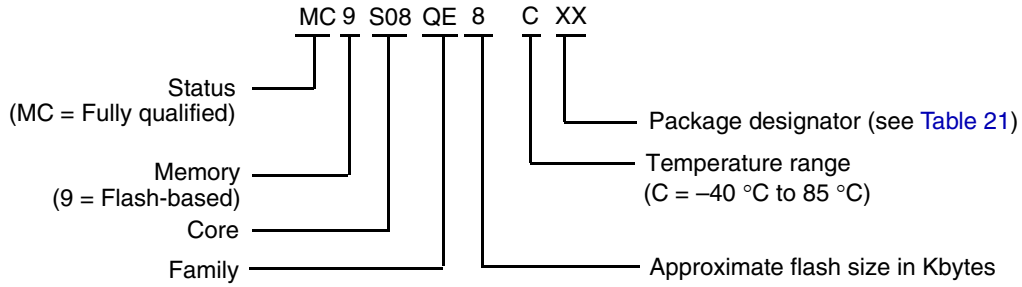
| Result | Performance Criteria    |   |
|--------|-------------------------|---|
| A      | No failure              | The MCU performs as designed during and after exposure.   |
| B      | Self-recovering failure | The MCU does not perform as designed during exposure. The MCU returns automatically to normal operation after exposure is removed.  |
| C      | Soft failure            | The MCU does not perform as designed during exposure. The MCU does not return to normal operation until exposure is removed and the $\overline{RESET}$ pin is asserted.           |
| D      | Hard failure            | The MCU does not perform as designed during exposure. The MCU does not return to normal operation until exposure is removed and the power to the MCU is cycled.                   |
| E      | Damage                  | The MCU does not perform as designed during and after exposure. The MCU cannot be returned to proper operation due to physical damage or other permanent performance degradation. |

## 4 Ordering Information

This section contains ordering information for the device numbering system.

Example of the device numbering system:





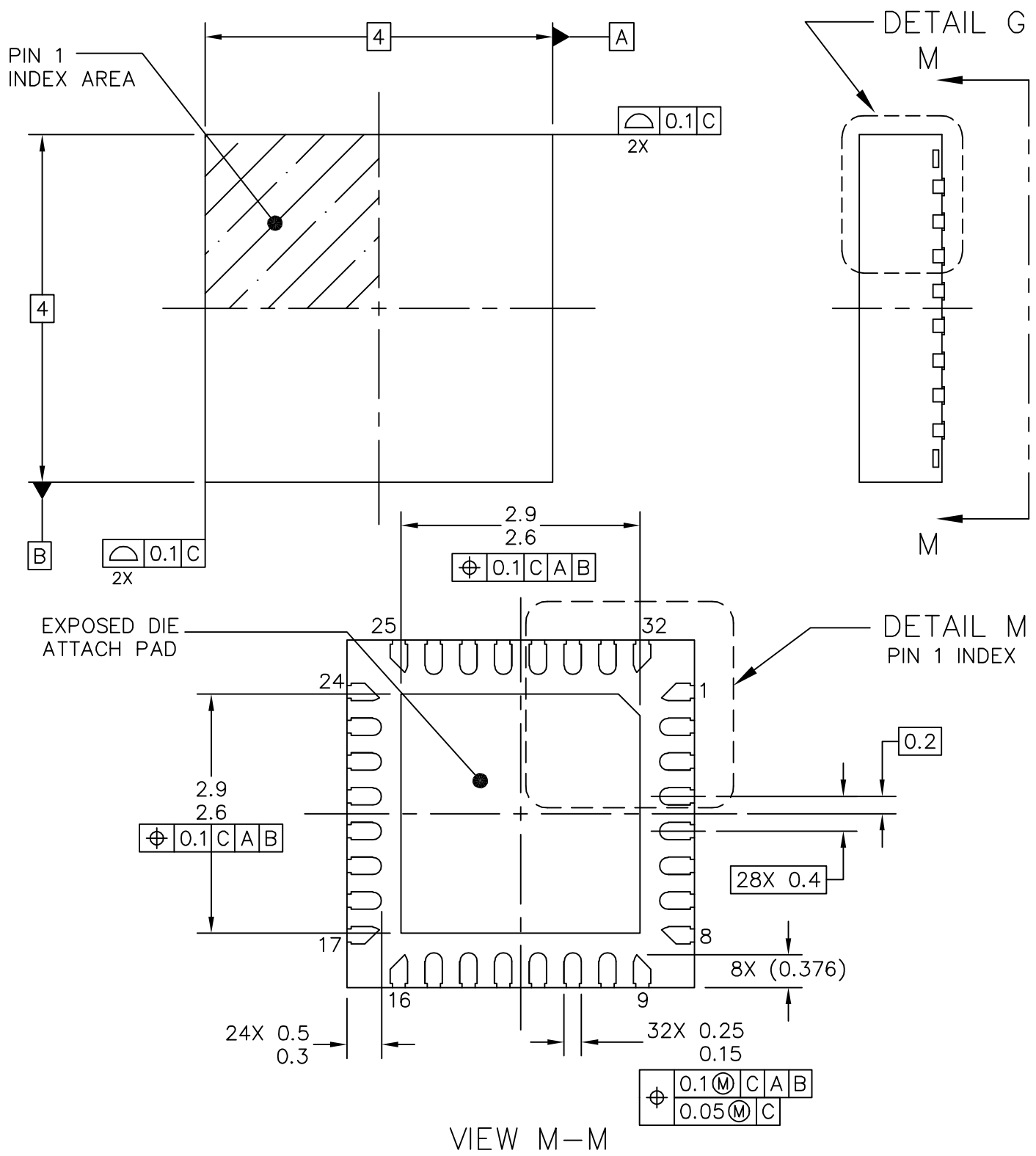
## 5 Package Information

Table 21. Package Descriptions

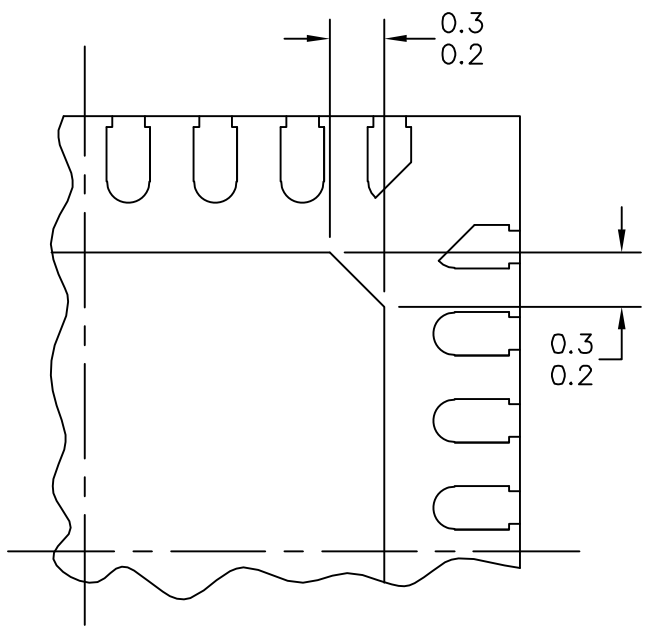
| Pin Count | Package Type                      | Abbreviation | Designator | Case No. | Document No. |
|-----------|-----------------------------------|--------------|------------|----------|--------------|
| 32        | Quad Flat No-Leads                | QFN          | FM         | 2078     | 98ASA00071D  |
| 32        | Low Quad Flat Package             | LQFP         | LC         | 873A     | 98ASH70029A  |
| 28        | Small Outline Integrated Circuit  | SOIC         | WL         | 751F     | 98ASB42345B  |
| 20        | Small Outline Integrated Circuit  | SOIC         | WJ         | 751D     | 98ASB42343B  |
| 16        | Plastic Dual In-line Package      | PDIP         | PG         | 648      | 98ASB42431B  |
| 16        | Thin Shrink Small Outline Package | TSSOP        | TG         | 948F     | 98ASH70247A  |

### 5.1 Mechanical Drawings

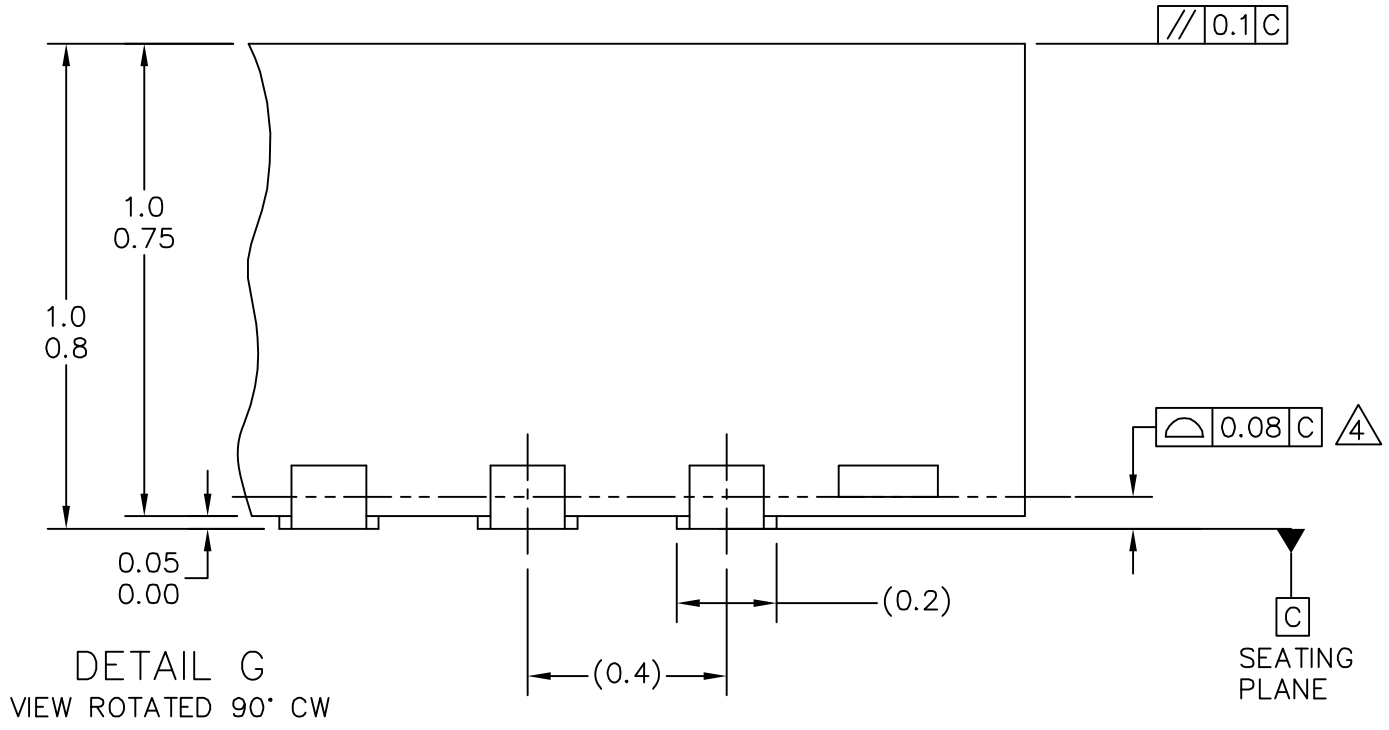
The following pages are mechanical drawings for the packages described in [Table 21](#).



|  |                           |                            |  |
|--|---------------------------|----------------------------|--|
| © FREESCALE SEMICONDUCTOR, INC.<br>ALL RIGHTS RESERVED.  | <b>MECHANICAL OUTLINE</b> | PRINT VERSION NOT TO SCALE |  |
| <b>TITLE:</b> THERMALLY ENHANCED QUAD<br>FLAT NON-LEADED PACKAGE (QFN)<br>32 TERMINAL, 0.4 PITCH (4 X 4 X 1) | DOCUMENT NO: 98ASA00071D  | REV: 0                     |  |
|  | CASE NUMBER: 2078-01      | 14 APR 2009                |  |
|  | STANDARD: NON-JEDEC       |                            |  |



DETAIL M  
PIN 1 BACKSIDE IDENTIFIER




DETAIL G  
VIEW ROTATED 90° CW

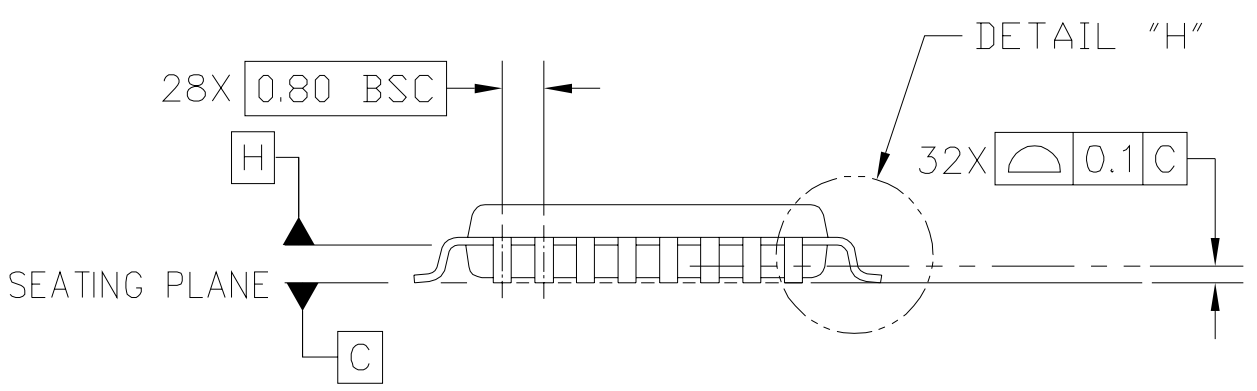
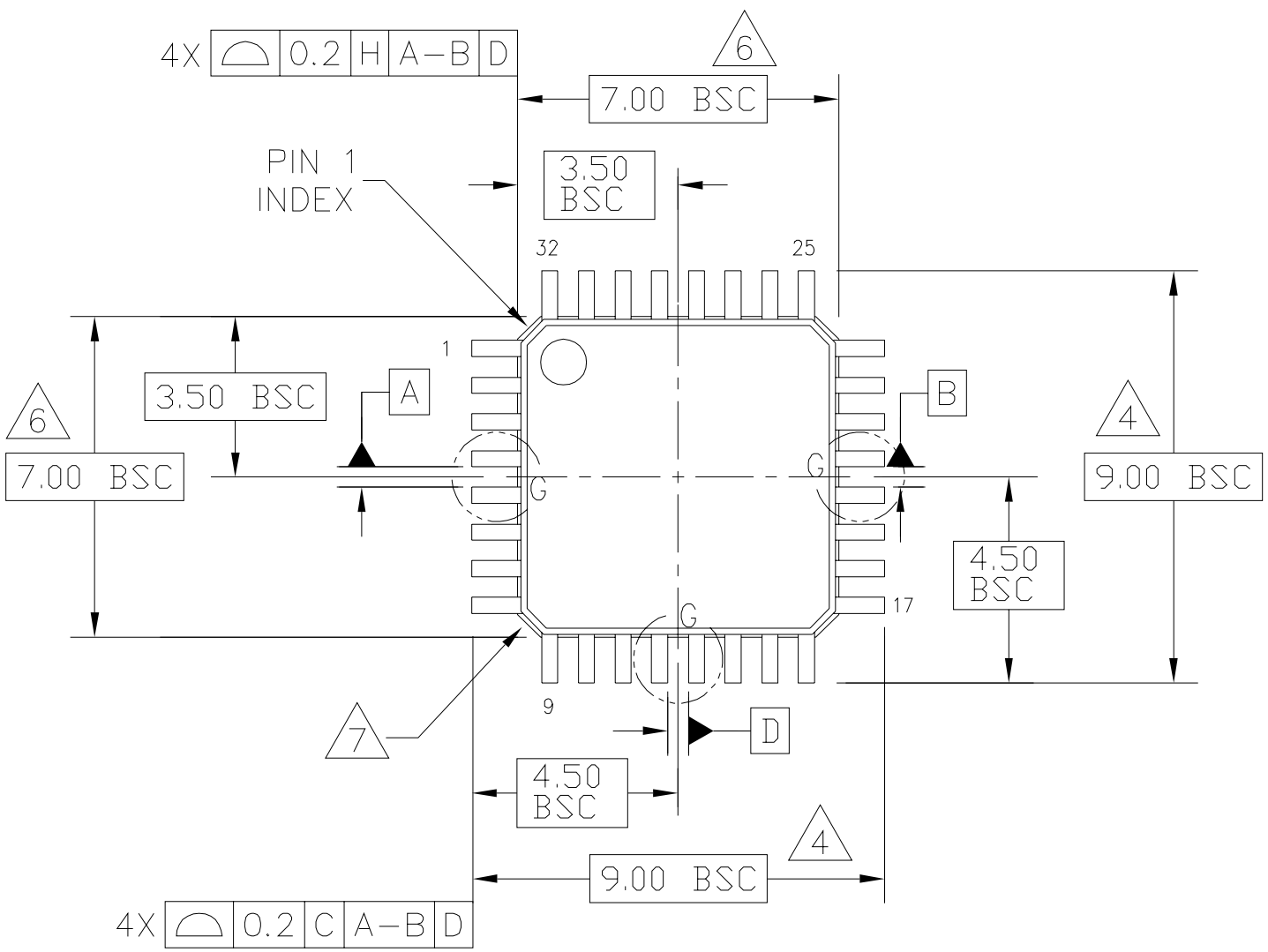
|   |                           |                            |  |
|---|---------------------------|----------------------------|--|
| © FREESCALE SEMICONDUCTOR, INC.<br>ALL RIGHTS RESERVED.   | <b>MECHANICAL OUTLINE</b> | PRINT VERSION NOT TO SCALE |  |
| TITLE: THERMALLY ENHANCED QUAD<br>FLAT NON-LEADED PACKAGE (QFN)<br>32 TERMINAL, 0.4 PITCH (4 X 4 X 1) | DOCUMENT NO: 98ASA00071D  | REV: 0                     |  |
|   | CASE NUMBER: 2078-01      | 14 APR 2009                |  |
|   | STANDARD: NON-JEDEC       |                            |  |



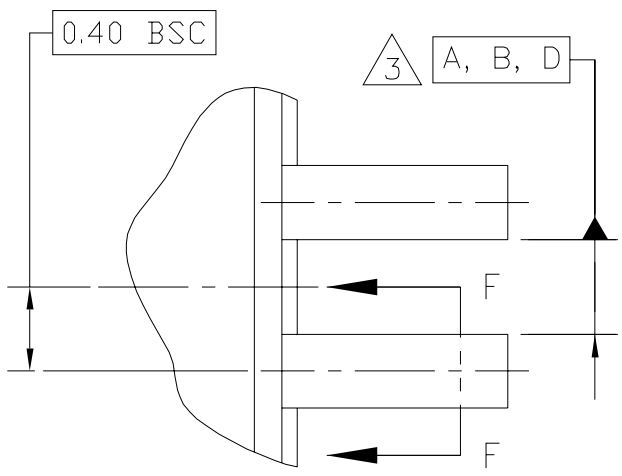
NOTES:

1. ALL DIMENSIONS ARE IN MILLIMETERS.
2. DIMENSIONING AND TOLERANCING PER ASME Y14.5M-1994.
3. THE COMPLETE JEDEC DESIGNATOR FOR THIS PACKAGE IS: HF-PQFN.
4.  COPLANARITY APPLIES TO LEADS AND DIE ATTACH PAD.
5. MIN. METAL GAP SHOULD BE 0.2MM.

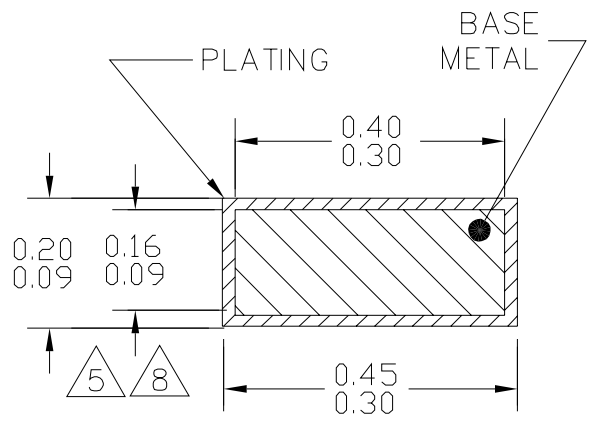
|   |                           |                            |  |
|---|---------------------------|----------------------------|--|
| © FREESCALE SEMICONDUCTOR, INC.<br>ALL RIGHTS RESERVED.   | <b>MECHANICAL OUTLINE</b> | PRINT VERSION NOT TO SCALE |  |
| TITLE: THERMALLY ENHANCED QUAD<br>FLAT NON-LEADED PACKAGE (QFN)<br>32 TERMINAL, 0.4 PITCH (4 X 4 X 1) | DOCUMENT NO: 98ASA00071D  | REV: 0                     |  |
|   | CASE NUMBER: 2078-01      | 14 APR 2009                |  |
|   | STANDARD: NON-JEDEC       |                            |  |



|   |                            |                            |  |
|---|----------------------------|----------------------------|--|
| © FREESCALE SEMICONDUCTOR, INC.<br>ALL RIGHTS RESERVED.                         | MECHANICAL OUTLINE         | PRINT VERSION NOT TO SCALE |  |
| TITLE:<br>LOW PROFILE QUAD FLAT PACK (LQFP)<br>32 LEAD, 0.8 PITCH (7 X 7 X 1.4) | DOCUMENT NO: 98ASH70029A   | REV: C                     |  |
|   | CASE NUMBER: 873A-04       | 01 APR 2005                |  |
|   | STANDARD: JEDEC MS-026 BBA |                            |  |

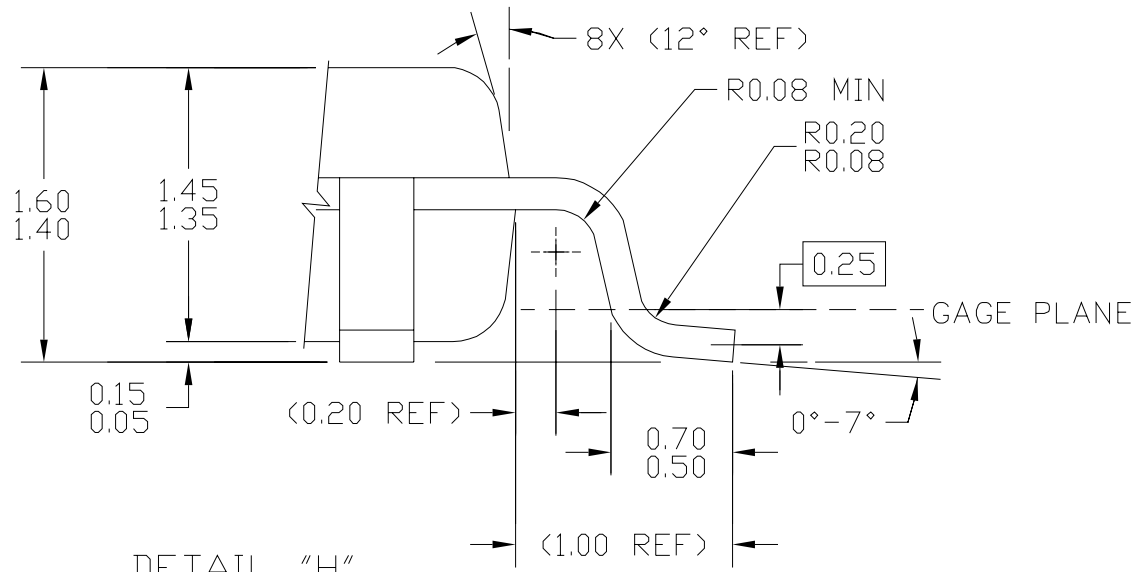


DETAIL G



$\text{M}$   $\text{C}$   $\text{A-B D}$

SECTION F-F  
ROTATED 90°CW  
32 PLACES



DETAIL "H"

|   |                            |                            |  |
|---|----------------------------|----------------------------|--|
| © FREESCALE SEMICONDUCTOR, INC.<br>ALL RIGHTS RESERVED.                         | MECHANICAL OUTLINE         | PRINT VERSION NOT TO SCALE |  |
| TITLE:<br>LOW PROFILE QUAD FLAT PACK (LQFP)<br>32 LEAD, 0.8 PITCH (7 X 7 X 1.4) | DOCUMENT NO: 98ASH70029A   | REV: C                     |  |
|   | CASE NUMBER: 873A-04       | 01 APR 2005                |  |
|   | STANDARD: JEDEC MS-026 BBA |                            |  |



NOTES:

1. DIMENSIONS ARE IN MILLIMETERS.

2. INTERPRET DIMENSIONS AND TOLERANCES PER ASME Y14.5-1994.

3. DATUMS A, B, AND D TO BE DETERMINED AT DATUM PLANE H.

4. DIMENSIONS TO BE DETERMINED AT SEATING PLANE DATUM C.

5. DIMENSION DOES NOT INCLUDE DAMBAR PROTRUSION. ALLOWABLE DAMBAR PROTRUSION SHALL NOT CAUSE THE LEAD WIDTH TO EXCEED THE MAXIMUM DIMENSION BY MORE THAN 0.08 MM. DAMBAR CANNOT BE LOCATED ON THE LOWER RADIUS OR THE FOOT. MINIMUM SPACE BETWEEN PROTRUSION AND ADJACENT LEAD OR PROTRUSION: 0.07 MM.

6. DIMENSIONS DO NOT INCLUDE MOLD PROTRUSION. ALLOWABLE PROTRUSION IS 0.25 MM PER SIDE. DIMENSIONS ARE MAXIMUM PLASTIC BODY SIZE DIMENSIONS INCLUDING MOLD MISMATCH.

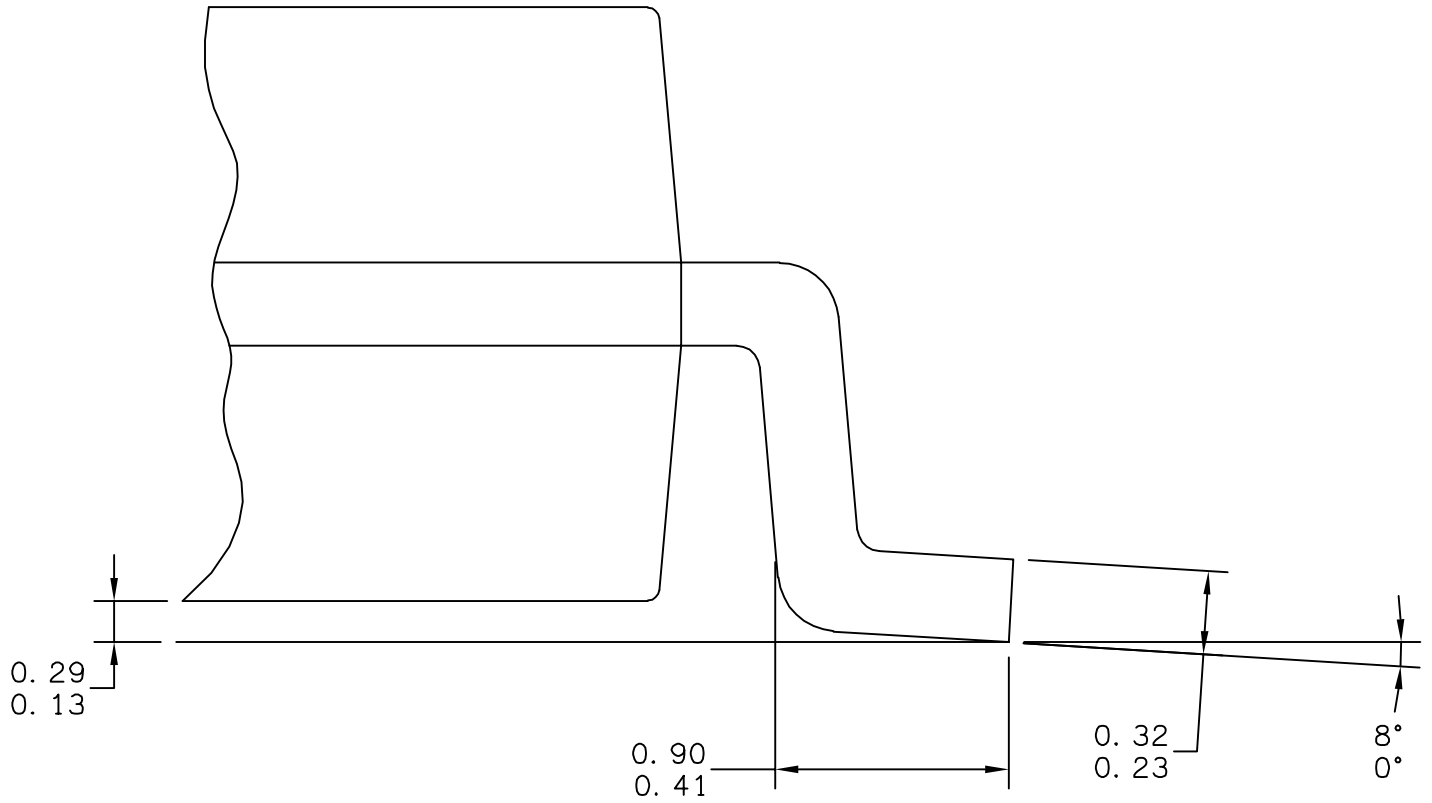
7. EXACT SHAPE OF EACH CORNER IS OPTIONAL.

8. THESE DIMENSIONS APPLY TO THE FLAT SECTION OF THE LEAD BETWEEN 0.1 MM AND 0.25 MM FROM THE LEAD TIP.

|   |                            |                            |  |
|---|----------------------------|----------------------------|--|
| © FREESCALE SEMICONDUCTOR, INC.<br>ALL RIGHTS RESERVED.                         | MECHANICAL OUTLINE         | PRINT VERSION NOT TO SCALE |  |
| TITLE:<br>LOW PROFILE QUAD FLAT PACK (LQFP)<br>32 LEAD, 0.8 PITCH (7 X 7 X 1.4) | DOCUMENT NO: 98ASH70029A   | REV: C                     |  |
|   | CASE NUMBER: 873A-04       | 01 APR 2005                |  |
|   | STANDARD: JEDEC MS-026 BBA |                            |  |







|   |                           |                            |  |
|---|---------------------------|----------------------------|--|
| © FREESCALE SEMICONDUCTOR, INC.<br>ALL RIGHTS RESERVED. | <b>MECHANICAL OUTLINE</b> | PRINT VERSION NOT TO SCALE |  |
| TITLE: SOIC, WIDE BODY,<br>28 LEAD<br>CASEOUTLINE       | DOCUMENT NO: 98ASB42345B  | REV: G                     |  |
|   | CASE NUMBER: 751F-05      | 10 MAR 2005                |  |
|   | STANDARD: MS-013AE        |                            |  |



NOTES:

1. DIMENSIONS ARE IN MILLIMETERS.

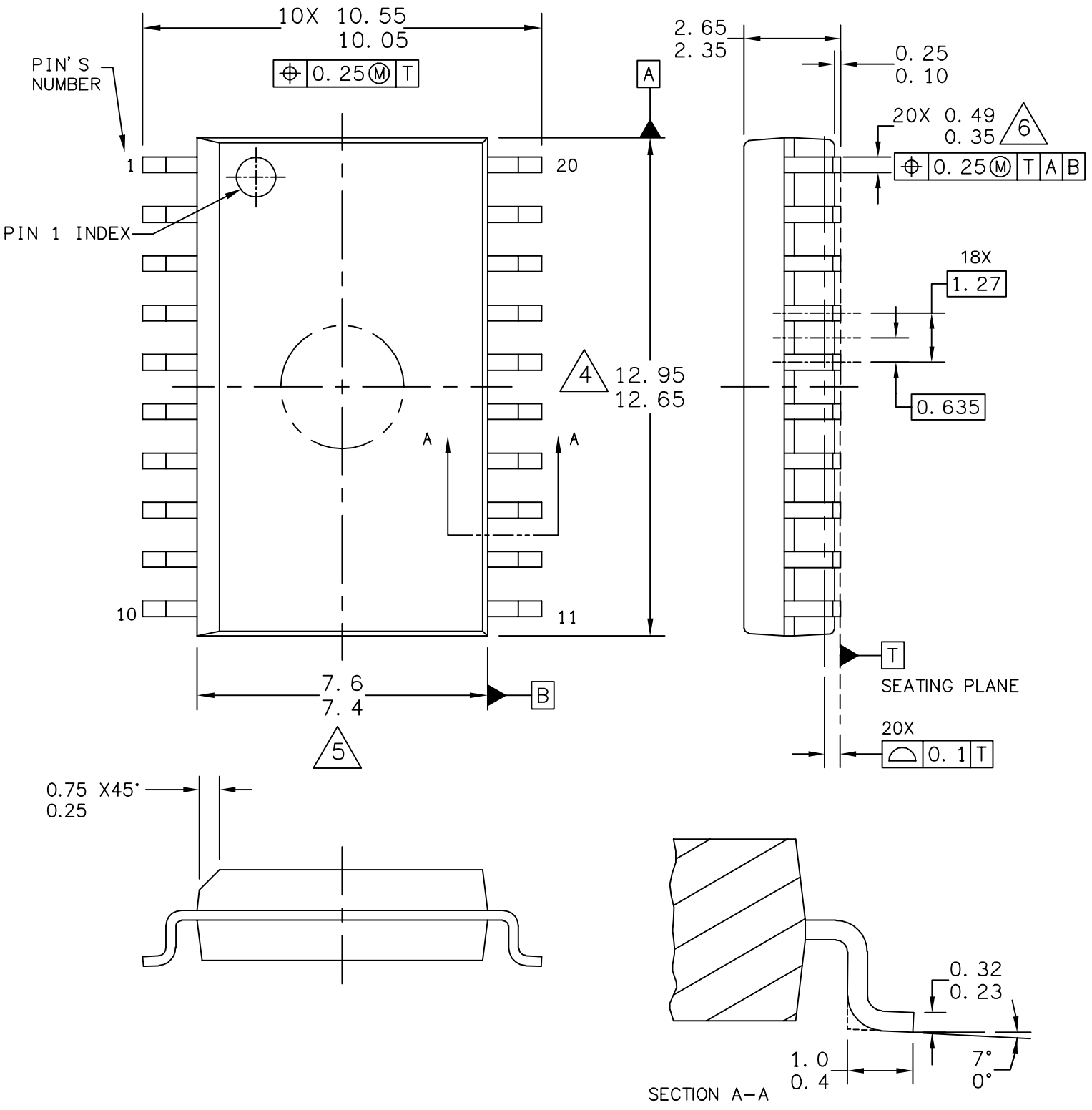
2. DIMENSIONING AND TOLERANCING PER ASME Y14.5M-1994.

3. THIS DIMENSION DOES NOT INCLUDE MOLD PROTRUSION. MAXIMUM MOLD PROTRUSION 0.15 PER SIDE.

4. 751F-01 THRU -04 OBSOLETE. NEW STANDARD: 751F-05

5. THIS DIMENSION DOES NOT INCLUDE DAM BAR PROTRUSION ALLOWABLE DAM BAR PROTRUSION SHALL BE 0.13 TOTAL IN EXCESS OF THIS DIMENSION AT MAXIMUM MATERIAL CONDITION.

|   |                           |                            |  |
|---|---------------------------|----------------------------|--|
| © FREESCALE SEMICONDUCTOR, INC.<br>ALL RIGHTS RESERVED. | <b>MECHANICAL OUTLINE</b> | PRINT VERSION NOT TO SCALE |  |
| TITLE: SOIC, WIDE BODY,<br>28 LEAD<br>CASEOUTLINE       | DOCUMENT NO: 98ASB42345B  | REV: G                     |  |
|   | CASE NUMBER: 751F-05      | 10 MAR 2005                |  |
|   | STANDARD: MS-013AE        |                            |  |



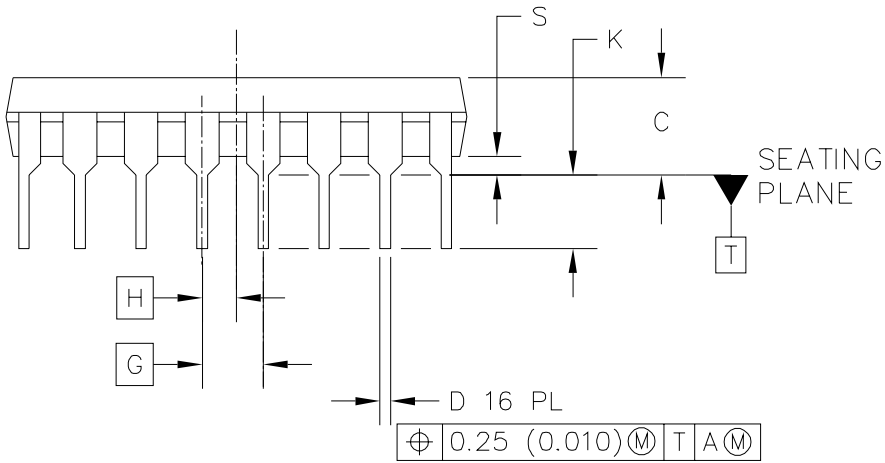
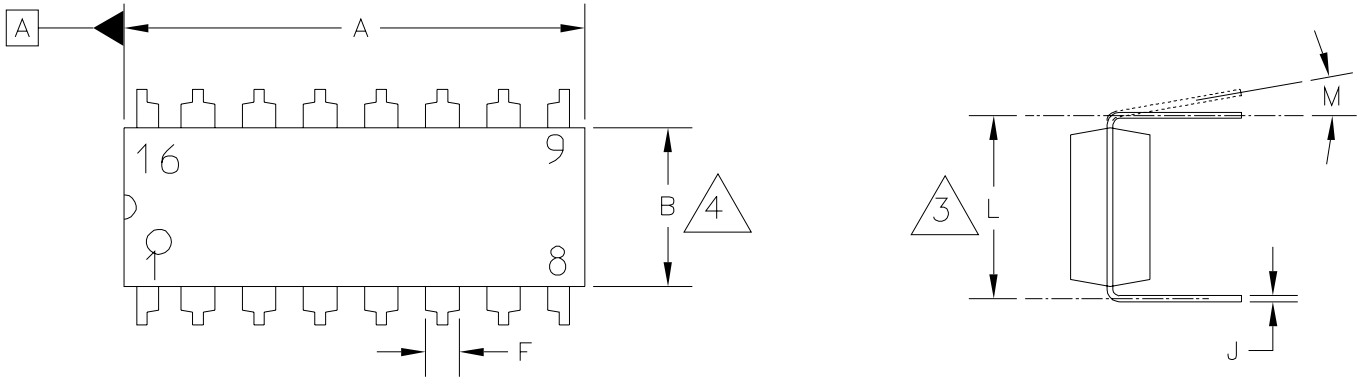
|   |                           |                            |  |
|---|---------------------------|----------------------------|--|
| © FREESCALE SEMICONDUCTOR, INC.<br>ALL RIGHTS RESERVED. | <b>MECHANICAL OUTLINE</b> | PRINT VERSION NOT TO SCALE |  |
| TITLE:<br>20LD SOIC W/B, 1.27 PITCH<br>CASE-OUTLINE     | DOCUMENT NO: 98ASB42343B  | REV: J                     |  |
|   | CASE NUMBER: 751D-07      | 23 MAR 2005                |  |
|   | STANDARD: JEDEC MS-013AC  |                            |  |



NOTES:

1. DIMENSIONS ARE IN MILLIMETERS.
2. DIMENSIONING AND TOLERANCING PER ASME Y14.5M-1994.
3. DATUMS A AND B TO BE DETERMINED AT THE PLANE WHERE THE BOTTOM OF THE LEADS EXIT THE PLASTIC BODY.
4. THIS DIMENSION DOES NOT INCLUDE MOLD FLASH, PROTRUSION OR GATE BURRS. MOLD FLASH, PROTRUSION OR GATE BURRS SHALL NOT EXCEED 0.15 MM PER SIDE. THIS DIMENSION IS DETERMINED AT THE PLANE WHERE THE BOTTOM OF THE LEADS EXIT THE PLASTIC BODY.
5. THIS DIMENSION DOES NOT INCLUDE INTER-LEAD FLASH OR PROTRUSIONS. INTER-LEAD FLASH AND PROTRUSIONS SHALL NOT EXCEED 0.25 MM PER SIDE. THIS DIMENSION IS DETERMINED AT THE PLANE WHERE THE BOTTOM OF THE LEADS EXIT THE PLASTIC BODY.
6. THIS DIMENSION DOES NOT INCLUDE DAMBAR PROTRUSION. ALLOWABLE DAMBAR PROTRUSION SHALL NOT CAUSE THE LEAD WIDTH TO EXCEED 0.62 mm.

|   |                           |                            |  |
|---|---------------------------|----------------------------|--|
| © FREESCALE SEMICONDUCTOR, INC.<br>ALL RIGHTS RESERVED. | <b>MECHANICAL OUTLINE</b> | PRINT VERSION NOT TO SCALE |  |
| TITLE:<br>20LD SOIC W/B, 1.27 PITCH,<br>CASE OUTLINE    | DOCUMENT NO: 98ASB42343B  | REV: J                     |  |
|   | CASE NUMBER: 751D-07      | 23 MAR 2005                |  |
|   | STANDARD: JEDEC MS-013AC  |                            |  |



|   |  |                          |  |                            |  |
|---|--|--------------------------|--|----------------------------|--|
| © FREESCALE SEMICONDUCTOR, INC.<br>ALL RIGHTS RESERVED. |  | MECHANICAL OUTLINE       |  | PRINT VERSION NOT TO SCALE |  |
| TITLE:<br><br>16 LD PDIP                                |  | DOCUMENT NO: 98ASB42431B |  | REV: T                     |  |
|   |  | CASE NUMBER: 648-08      |  | 19 MAY 2005                |  |
|   |  | STANDARD: NON-JEDEC      |  |                            |  |



NOTES:

1. DIMENSIONING AND TOLERANCING PER ASME Y14.5M, 1994.
2. CONTROLLING DIMENSION: INCH.
3. DIMENSION TO CENTER OF LEADS WHEN FORMED PARALLEL.
4. DIMENSIONS DOES NOT INCLUDE MOLD FLASH.
5. ROUNDED CORNERS OPTIONAL.
6. 648-01 THRU -08 OBSOLETE, NEW STANDARD 648-09.

| DIM | MILLIMETERS |       | INCHES    |       | DIM | MILLIMETERS |     | INCHES |     |
|-----|-------------|-------|-----------|-------|-----|-------------|-----|--------|-----|
|     | MIN         | MAX   | MIN       | MAX   |     | MIN         | MAX | MIN    | MAX |
| A   | 18.80       | 19.55 | 0.740     | 0.770 |     |             |     |        |     |
| B   | 6.35        | 6.85  | 0.250     | 0.270 |     |             |     |        |     |
| C   | 3.69        | 4.44  | 0.145     | 0.175 |     |             |     |        |     |
| D   | 0.39        | 0.53  | 0.015     | 0.021 |     |             |     |        |     |
| F   | 1.02        | 1.77  | 0.040     | 0.070 |     |             |     |        |     |
| G   | 2.54 BSC    |       | 0.100 BSC |       |     |             |     |        |     |
| H   | 1.27 BSC    |       | 0.050 BSC |       |     |             |     |        |     |
| J   | 0.21        | 0.38  | 0.008     | 0.015 |     |             |     |        |     |
| K   | 2.80        | 3.30  | 0.110     | 0.130 |     |             |     |        |     |
| L   | 7.50        | 7.74  | 0.295     | 0.305 |     |             |     |        |     |
| M   | 0°          | 10°   | 0°        | 10°   |     |             |     |        |     |
| S   | 0.51        | 1.01  | 0.020     | 0.040 |     |             |     |        |     |

© FREESCALE SEMICONDUCTOR, INC.  
ALL RIGHTS RESERVED.

MECHANICAL OUTLINE

PRINT VERSION NOT TO SCALE

TITLE:

16 LD PDIP

DOCUMENT NO: 98ASB42431B

REV: T

CASE NUMBER: 648-08

19 MAY 2005

STANDARD: NON-JEDEC



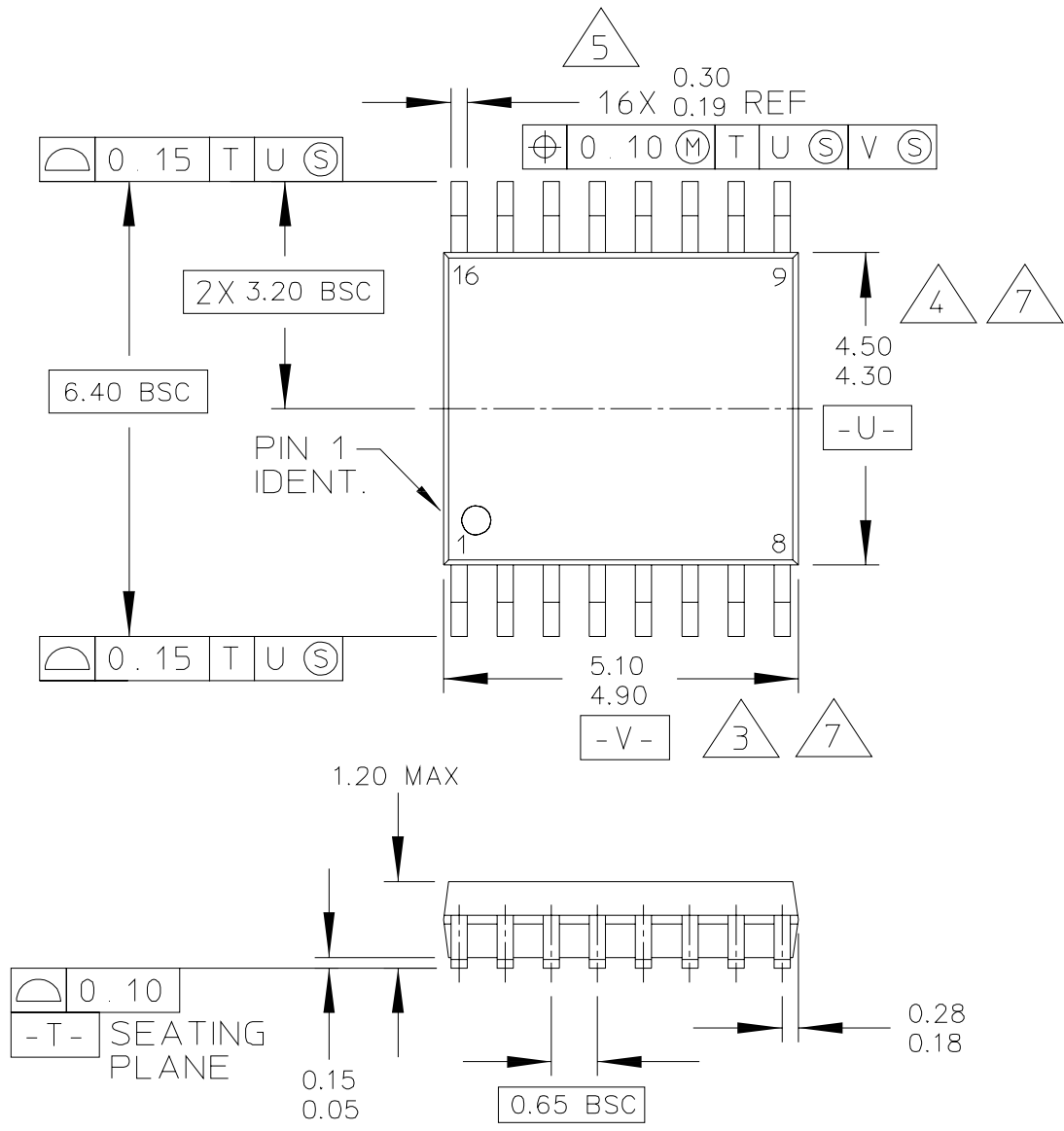
STYLE 1:

- PIN 1. CATHODE
- 2. CATHODE
- 3. CATHODE
- 4. CATHODE
- 5. CATHODE
- 6. CATHODE
- 7. CATHODE
- 8. CATHODE
- 9. ANODE
- 10. ANODE
- 11. ANODE
- 12. ANODE
- 13. ANODE
- 14. ANODE
- 15. ANODE
- 16. ANODE

STYLE 2:

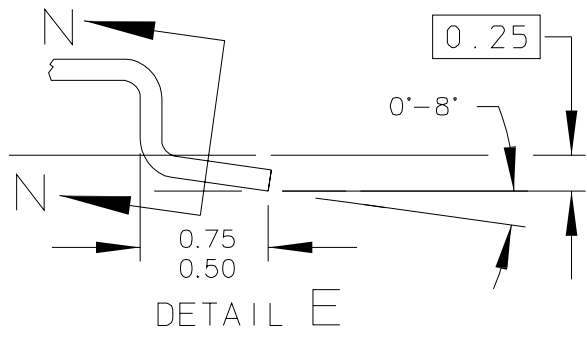
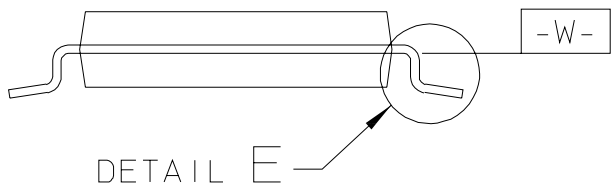
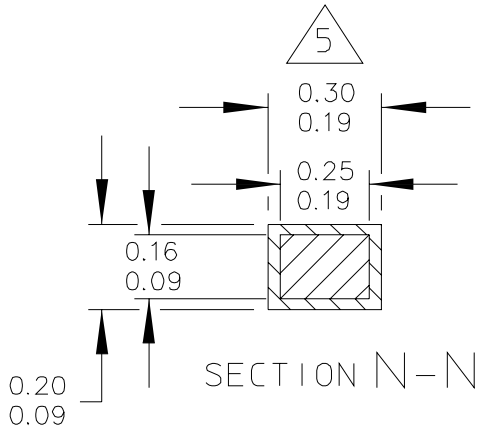
- PIN 1. COMMON DRAIN
- 2. COMMON DRAIN
- 3. COMMON DRAIN
- 4. COMMON DRAIN
- 5. COMMON DRAIN
- 6. COMMON DRAIN
- 7. COMMON DRAIN
- 8. COMMON DRAIN
- 9. GATE
- 10. SOURCE
- 11. GATE
- 12. SOURCE
- 13. GATE
- 14. SOURCE
- 15. GATE
- 16. SOURCE

|   |  |                          |  |                            |  |
|---|--|--------------------------|--|----------------------------|--|
| © FREESCALE SEMICONDUCTOR, INC.<br>ALL RIGHTS RESERVED. |  | MECHANICAL OUTLINE       |  | PRINT VERSION NOT TO SCALE |  |
| TITLE:<br><br>16 LD PDIP                                |  | DOCUMENT NO: 98ASB42431B |  | REV: T                     |  |
|   |  | CASE NUMBER: 648-08      |  | 19 MAY 2005                |  |
|   |  | STANDARD: NON-JEDEC      |  |                            |  |



|   |                          |                            |  |
|---|--------------------------|----------------------------|--|
| © FREESCALE SEMICONDUCTOR, INC.<br>ALL RIGHTS RESERVED. | MECHANICAL OUTLINE       | PRINT VERSION NOT TO SCALE |  |
| TITLE:<br><br>16 LD TSSOP, PITCH 0.65MM                 | DOCUMENT NO: 98ASH70247A | REV: B                     |  |
|   | CASE NUMBER: 948F-01     | 19 MAY 2005                |  |
|   | STANDARD: JEDEC          |                            |  |





|   |                          |                            |  |
|---|--------------------------|----------------------------|--|
| © FREESCALE SEMICONDUCTOR, INC.<br>ALL RIGHTS RESERVED. | MECHANICAL OUTLINE       | PRINT VERSION NOT TO SCALE |  |
| TITLE:<br><br>16 LD TSSOP, PITCH 0.65MM                 | DOCUMENT NO: 98ASH70247A | REV: B                     |  |
|   | CASE NUMBER: 948F-01     | 19 MAY 2005                |  |
|   | STANDARD: JEDEC          |                            |  |



NOTES:

1. CONTROLLING DIMENSION: MILLIMETER

2. DIMENSIONS AND TOLERANCES PER ANSI Y14.5M-1982.

3. DIMENSION DOES NOT INCLUDE MOLD FLASH, PROTRUSIONS OR GATE BURRS. MOLD FLASH OR GATE BURRS SHALL NOT EXCEED 0.15 PER SIDE.

4. DIMENSION DOES NOT INCLUDE INTERLEAD FLASH OR PROTRUSION. INTERLEAD FLASH OR PROTRUSION SHALL NOT EXCEED 0.25 PER SIDE.

5. DIMENSION DOES NOT INCLUDE DAMBAR PROTRUSION. ALLOWABLE DAMBAR PROTRUSION SHALL BE 0.08 TOTAL IN EXCESS OF THE DIMENSION AT MAXIMUM MATERIAL CONDITION.

6. TERMINAL NUMBERS ARE SHOWN FOR REFERENCE ONLY.

7. DIMENSIONS ARE TO BE DETERMINED AT DATUM PLANE -W-.

|   |                          |                            |  |
|---|--------------------------|----------------------------|--|
| © FREESCALE SEMICONDUCTOR, INC.<br>ALL RIGHTS RESERVED. | MECHANICAL OUTLINE       | PRINT VERSION NOT TO SCALE |  |
| TITLE:<br><br>16 LD TSSOP, PITCH 0.65MM                 | DOCUMENT NO: 98ASH70247A | REV: B                     |  |
|   | CASE NUMBER: 948F-01     | 19 MAY 2005                |  |
|   | STANDARD: JEDEC          |                            |  |







## How to Reach Us:

### Home Page:

[www.freescale.com](http://www.freescale.com)

### Web Support:

<http://www.freescale.com/support>

### USA/Europe or Locations Not Listed:

Freescale Semiconductor, Inc.  
Technical Information Center, EL516  
2100 East Elliot Road  
Tempe, Arizona 85284  
1-800-521-6274 or +1-480-768-2130  
[www.freescale.com/support](http://www.freescale.com/support)

### Europe, Middle East, and Africa:

Freescale Halbleiter Deutschland GmbH  
Technical Information Center  
Schatzbogen 7  
81829 Muenchen, Germany  
+44 1296 380 456 (English)  
+46 8 52200080 (English)  
+49 89 92103 559 (German)  
+33 1 69 35 48 48 (French)  
[www.freescale.com/support](http://www.freescale.com/support)

### Japan:

Freescale Semiconductor Japan Ltd.  
Headquarters  
ARCO Tower 15F  
1-8-1, Shimo-Meguro, Meguro-ku,  
Tokyo 153-0064  
Japan  
0120 191014 or +81 3 5437 9125  
[support.japan@freescale.com](mailto:support.japan@freescale.com)

### Asia/Pacific:

Freescale Semiconductor China Ltd.  
Exchange Building 23F  
No. 118 Jianguo Road  
Chaoyang District  
Beijing 100022  
China  
+86 10 5879 8000  
[support.asia@freescale.com](mailto:support.asia@freescale.com)

### For Literature Requests Only:

Freescale Semiconductor Literature Distribution Center  
P.O. Box 5405  
Denver, Colorado 80217  
1-800-441-2447 or +1-303-675-2140  
Fax: +1-303-675-2150  
[LDCForFreescaleSemiconductor@hibbertgroup.com](mailto:LDCForFreescaleSemiconductor@hibbertgroup.com)

Information in this document is provided solely to enable system and software implementers to use Freescale Semiconductor products. There are no express or implied copyright licenses granted hereunder to design or fabricate any integrated circuits or integrated circuits based on the information in this document.

Freescale Semiconductor reserves the right to make changes without further notice to any products herein. Freescale Semiconductor makes no warranty, representation or guarantee regarding the suitability of its products for any particular purpose, nor does Freescale Semiconductor assume any liability arising out of the application or use of any product or circuit, and specifically disclaims any and all liability, including without limitation consequential or incidental damages. "Typical" parameters that may be provided in Freescale Semiconductor data sheets and/or specifications can and do vary in different applications and actual performance may vary over time. All operating parameters, including "Typicals", must be validated for each customer application by customer's technical experts. Freescale Semiconductor does not convey any license under its patent rights nor the rights of others. Freescale Semiconductor products are not designed, intended, or authorized for use as components in systems intended for surgical implant into the body, or other applications intended to support or sustain life, or for any other application in which the failure of the Freescale Semiconductor product could create a situation where personal injury or death may occur. Should Buyer purchase or use Freescale Semiconductor products for any such unintended or unauthorized application, Buyer shall indemnify and hold Freescale Semiconductor and its officers, employees, subsidiaries, affiliates, and distributors harmless against all claims, costs, damages, and expenses, and reasonable attorney fees arising out of, directly or indirectly, any claim of personal injury or death associated with such unintended or unauthorized use, even if such claim alleges that Freescale Semiconductor was negligent regarding the design or manufacture of the part.



Freescale™ and the Freescale logo are trademarks of Freescale Semiconductor, Inc. All other product or service names are the property of their respective owners.

© Freescale Semiconductor, Inc. 2007-2011. All rights reserved.