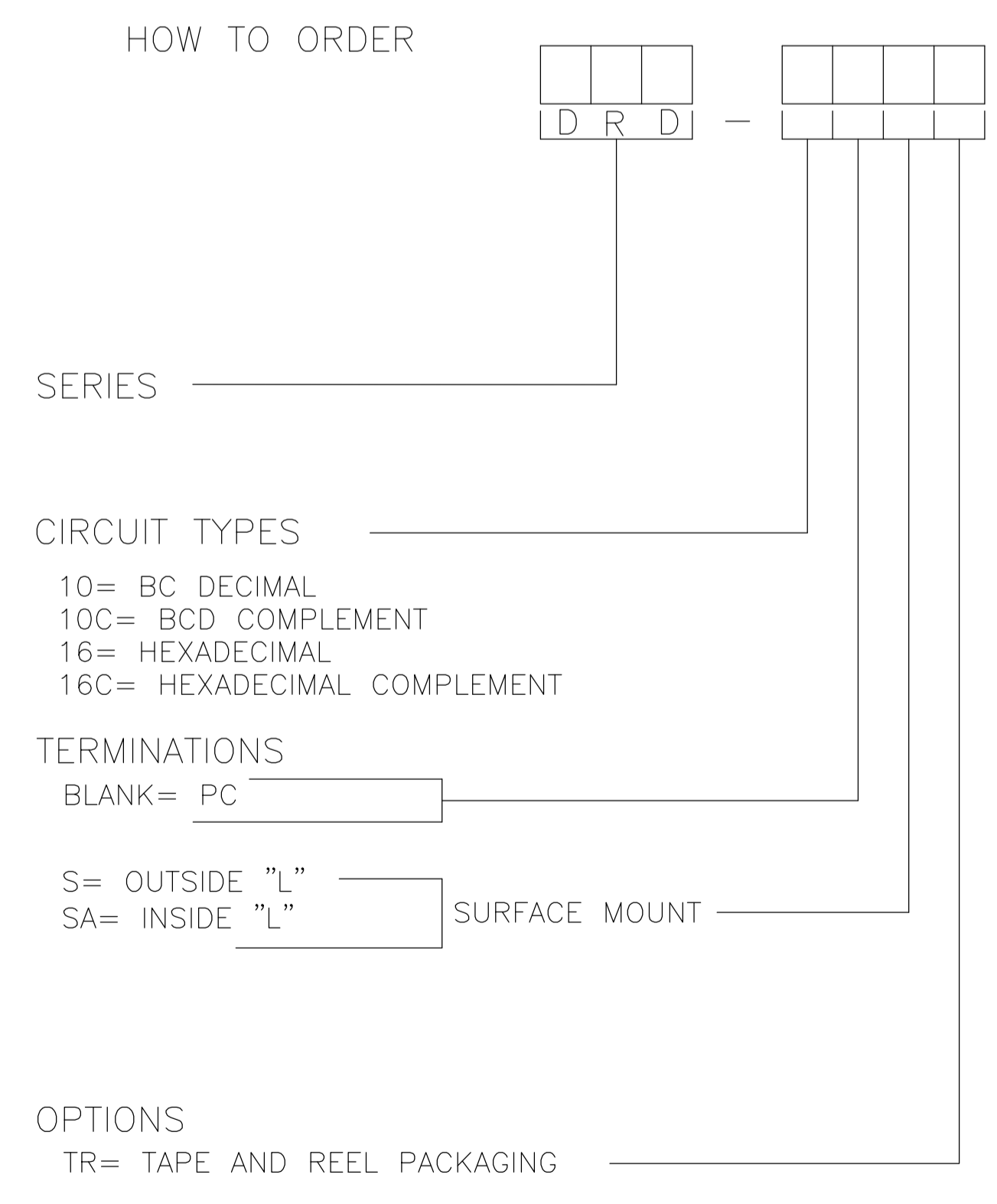


PC MOUNT



SPECIFICATIONS:

**MATERIAL:**  
 FRAME & CASE- PPS UL94V-0, BLACK  
 ROTOR, PA6T UL94V-0, COLOR SEE P/N TABLE  
 FIXED CONTACT/TERMINAL- COPPER ALLOY, GOLD FLASH OVER NICKEL PLATE  
 MOVING CONTACT- COPPER ALLOY, GOLD FLASH OVER NICKEL PLATE  
 BALL SUPPORT PLATE- COPPER ALLOY  
 BALL- STAINLESS STEEL  
 DETENT SPRING- STAINLESS STEEL  
 O-RING- SILICON RUBBER

**ELECTRICAL:**  
 CONTACT RATING- 0.4VA@ 20V DC OR PEAK AC  
 INITIAL CONTACT RESISTANCE- 50 MILLIOHMS MAX  
 INSULATION RESISTANCE- 1,000 MEGOHMS@100V DC  
 DIELECTRIC STRENGTH- 300V AC  
 LIFE EXPECTANCY- 10,000 ROTATIONS

**MECHANICAL:**  
 OPERATING FORCE- 13.88 OZF.IN. MAX

**ENVIRONMENTAL:**  
 OPERATING TEMPERATURE- -30°C TO +85°C  
 STORAGE TEMPERATURE- -45°C TO +100°C  
 RESISTANCE TO SOLDER HEAT-PER 109-202, COND B (THRU-HOLE) OR 109-201, COND B (SMT)  
 SOLDERABILITY-PER JIS C 0050 & JIS C 0053

NOTES:

- ALL MATERIALS AND FINISHES SHALL COMPLY WITH EU DIRECTIVE 2002/95/EC OF 27JAN2003 (ROHS).
  - TAPE & REEL PACKAGING PER EIA-481.
  - COMMON TERMINALS ARE CONNECTED INTERNALLY.
- 4** LOCATE 'ALCO' TRADE NAME AND LOT NUMBER MARKING. LOT NUMBER TO BE MARKED AS FOLLOW:  
 4 DIGIT F  
 1ST DIGIT YEAR 1194 2ND DIGIT MONTH 6  
 MARK WITH PERMANENT WHITE INK.
- 5** TOP TAPE SEAL INCLUDED.

THRU-HOLE	BLACK	BLACK	DRD16ET04	2-1825007-2
THRU-HOLE	RED	BLACK	DRD10ET04	2-1825007-1
SMT	BLACK	BLACK	DRD16SETR04	2-1825007-0
SMT	BLACK	BLACK	DRD16SAETR04	1-1825007-9
SMT	BLACK	BLACK	DRD16SE04	1-1825007-8
SMT	BLACK	BLACK	DRD16SAE04	1-1825007-7
THRU-HOLE	BLACK	BLACK	DRD16E04	1-1825007-6
SMT	WHITE	BLACK	DRD16CSETR04	1-1825007-5
SMT	WHITE	BLACK	DRD16CSAETR04	1-1825007-4
SMT	WHITE	BLACK	DRD16CSE04	1-1825007-3
SMT	WHITE	BLACK	DRD16CSAE04	1-1825007-2
THRU-HOLE	WHITE	BLACK	DRD16CE04	1-1825007-1
SMT	RED	BLACK	DRD10SETR04	1-1825007-0
SMT	RED	BLACK	DRD10SAETR04	1825007-9
SMT	RED	BLACK	DRD10SE04	1825007-8
SMT	RED	BLACK	DRD10SAE04	1825007-7
THRU-HOLE	RED	BLACK	DRD10E04	1825007-6
SMT	ORANGE	BLACK	DRD10CSETR04	1825007-5
SMT	ORANGE	BLACK	DRD10CSAETR04	1825007-4
SMT	ORANGE	BLACK	DRD10CSE04	1825007-3
SMT	ORANGE	BLACK	DRD10CSAE04	1825007-2
THRU-HOLE	ORANGE	BLACK	DRD10CE04	1825007-1
MTG TYPE	ROTOR COLOR	CASE COLOR	ALCO P/N	PART NO.

THIS DRAWING IS A CONTROLLED DOCUMENT.

DESIGNER: B.S.VISWESWARA  
 CHECKER: M.S.SARVER

DATE: 10MAY05

PRODUCT SPEC: ROTARY DIP DRD E SERIES

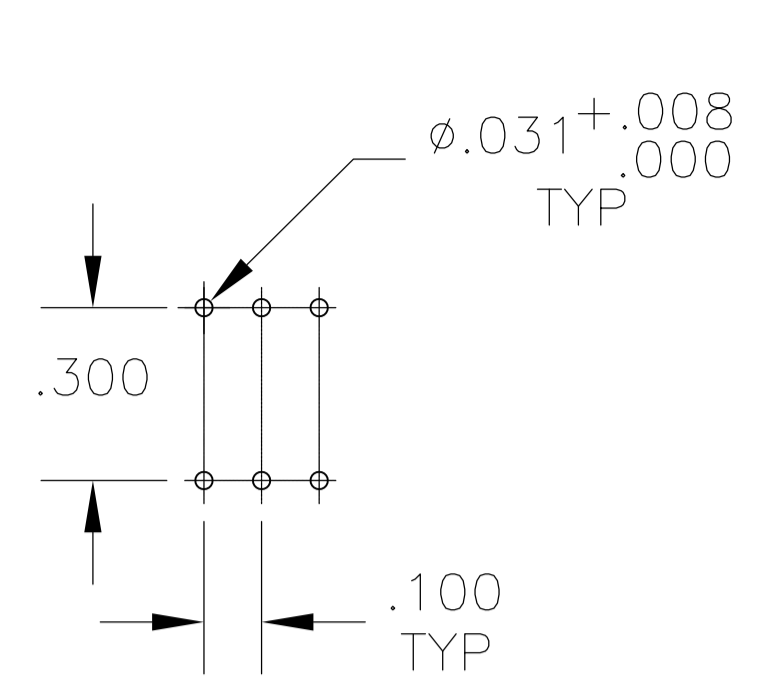
APPLICATION SPEC: -

SIZE: A1  
 CASE CODE: 00779  
 DRAWING NO: 1825007

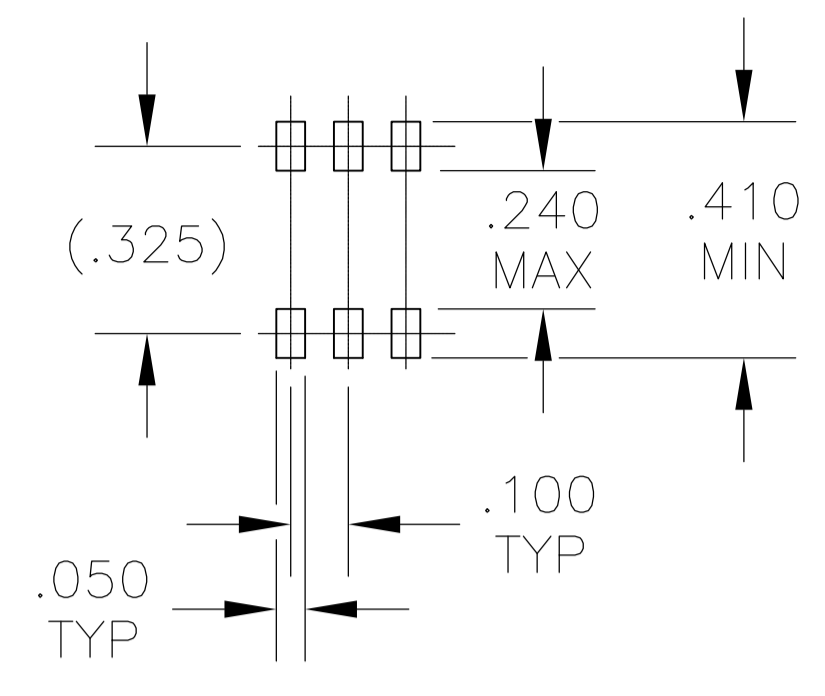
RESTRICTED TO: -

CUSTOMER DRAWING

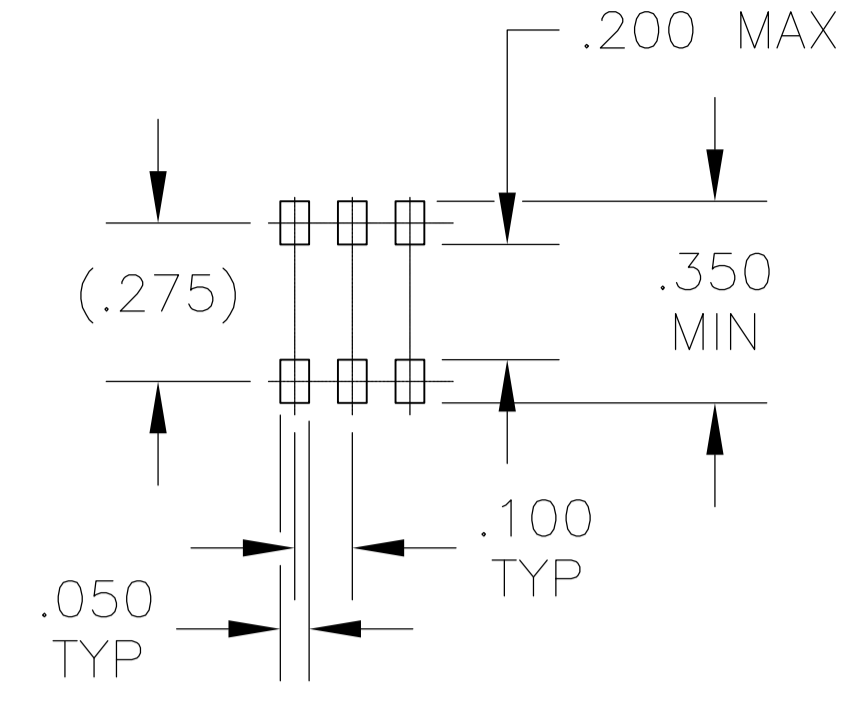
SCALE: 4:1 SHEET 1 OF 2 REV A4



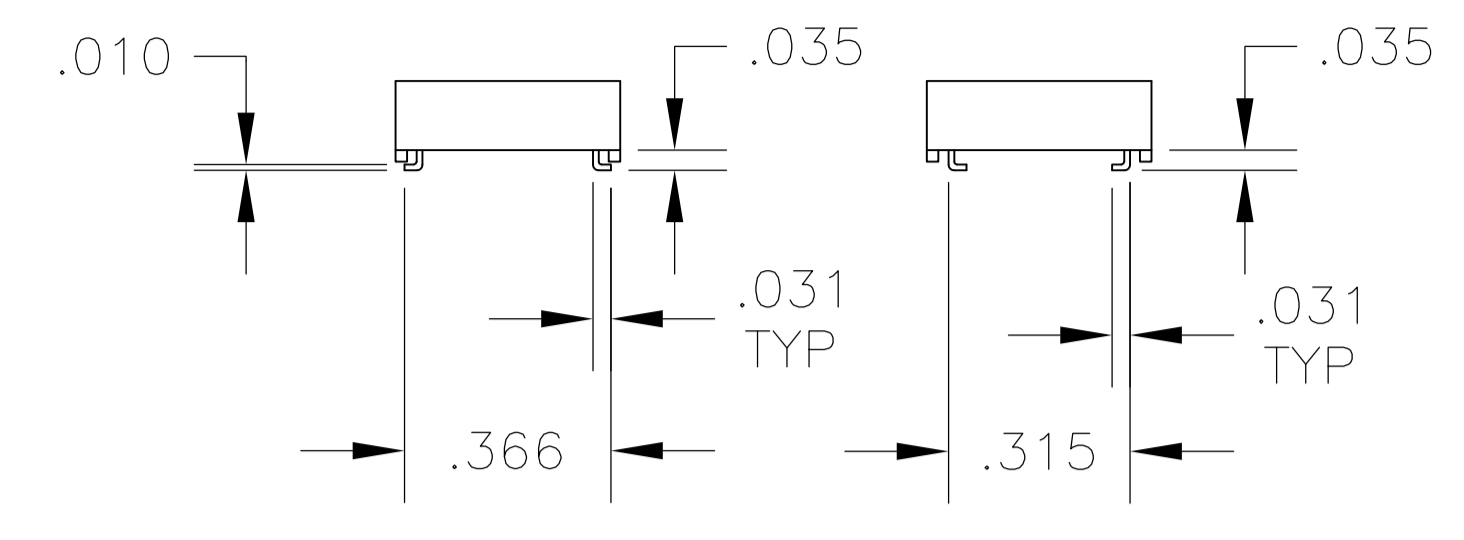
PC



OUTSIDE "L"



INSIDE "L"



OUTSIDE "L" TERMINAL VERTICAL

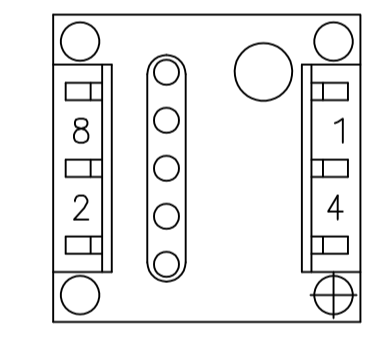
INSIDE "L" TERMINAL VERTICAL

## PRINTED CIRCUIT BOARD LAYOUTS

## TERMINAL CONFIGURATIONS

### TRUTH TABLES

TERMINAL IDENTIFICATION (VIEWED FROM BOTTOM OF SWITCH)



10-POSITION, BCD ROTOR - RED

POS	0	1	2	3	4	5	6	7	8	9
C	X	X	X	X	X	X	X	X	X	X
1		X		X		X		X		X
2			X	X			X	X		
4					X	X	X	X		
8									X	X

16-POSITION, HEXADECIMAL ROTOR - BLACK

POS	0	1	2	3	4	5	6	7	8	9	A	B	C	D	E	F
C	X	X	X	X	X	X	X	X	X	X	X	X	X	X	X	X
1		X		X		X		X		X		X		X		X
2			X	X			X	X			X	X			X	X
4					X	X	X	X				X	X	X	X	X
8									X	X	X	X	X	X	X	X

10 POSITION, BCD COMPLEMENT ROTOR - ORANGE

POS	0	1	2	3	4	5	6	7	8	9
$\bar{C}$	X	X	X	X	X	X	X	X	X	X
$\bar{1}$	X		X		X		X		X	
$\bar{2}$	X	X			X	X			X	X
$\bar{4}$	X	X	X	X					X	X
$\bar{8}$	X	X	X	X	X	X	X	X		

16-POSITION, HEXADECIMAL COMPLEMENT ROTOR - WHITE

POS	0	1	2	3	4	5	6	7	8	9	A	B	C	D	E	F
$\bar{C}$	X	X	X	X	X	X	X	X	X	X	X	X	X	X	X	X
$\bar{1}$	X		X		X		X		X		X		X		X	
$\bar{2}$	X	X			X	X			X	X			X	X		
$\bar{4}$	X	X	X	X					X	X	X	X				
$\bar{8}$	X	X	X	X	X	X	X	X								

THIS DRAWING IS A CONTROLLED DOCUMENT.		DIN	10MAY05	
		BY	S.VISWESWARA	
		CHK	M.S.SARVER	
		APVD		
		NAME	STE TE Connectivity	
DIMENSIONS: INCHES		TOLERANCES UNLESS OTHERWISE SPECIFIED:		PRODUCT SPEC
		0. PLC	± -	
		1. PLC	± -	
		2. PLC	± -	
		3. PLC	± .010	
		4. PLC	± -	
		ANGLES	± 1°	
MATERIAL: SEE NOTE		FINISH	-	
		WEIGHT	-	
		SIZE	A1	
		CAGE CODE	00779	
		DRAWING NO	1825007	
		RESTRICTED TO	-	
CUSTOMER DRAWING		SCALE	2:1	
		SHEET	2 OF 2	
		REV	A4	