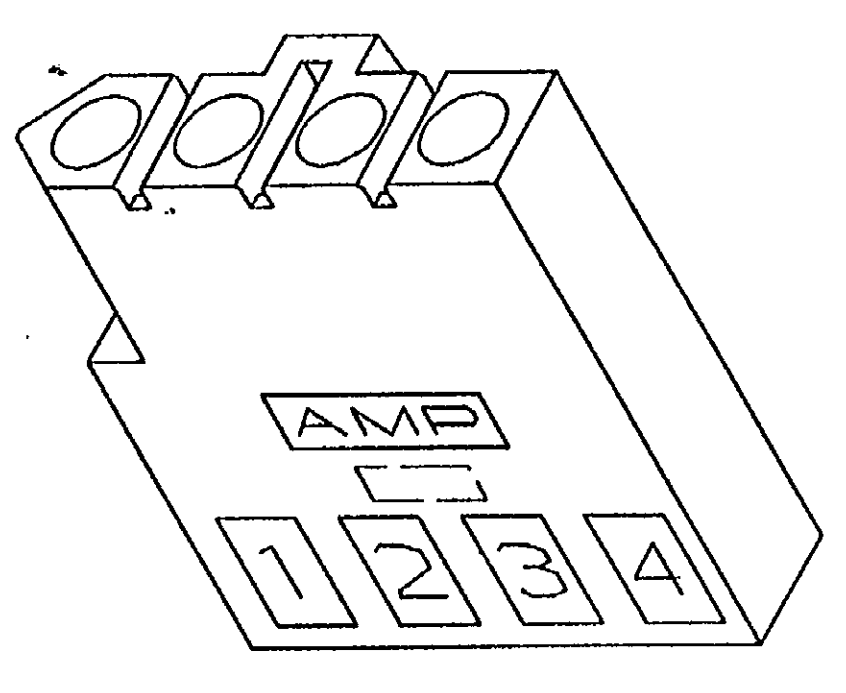
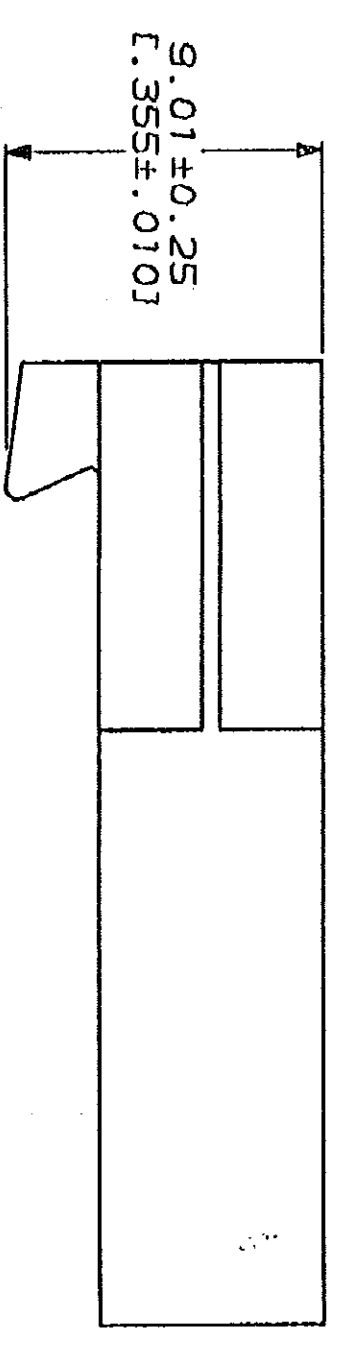
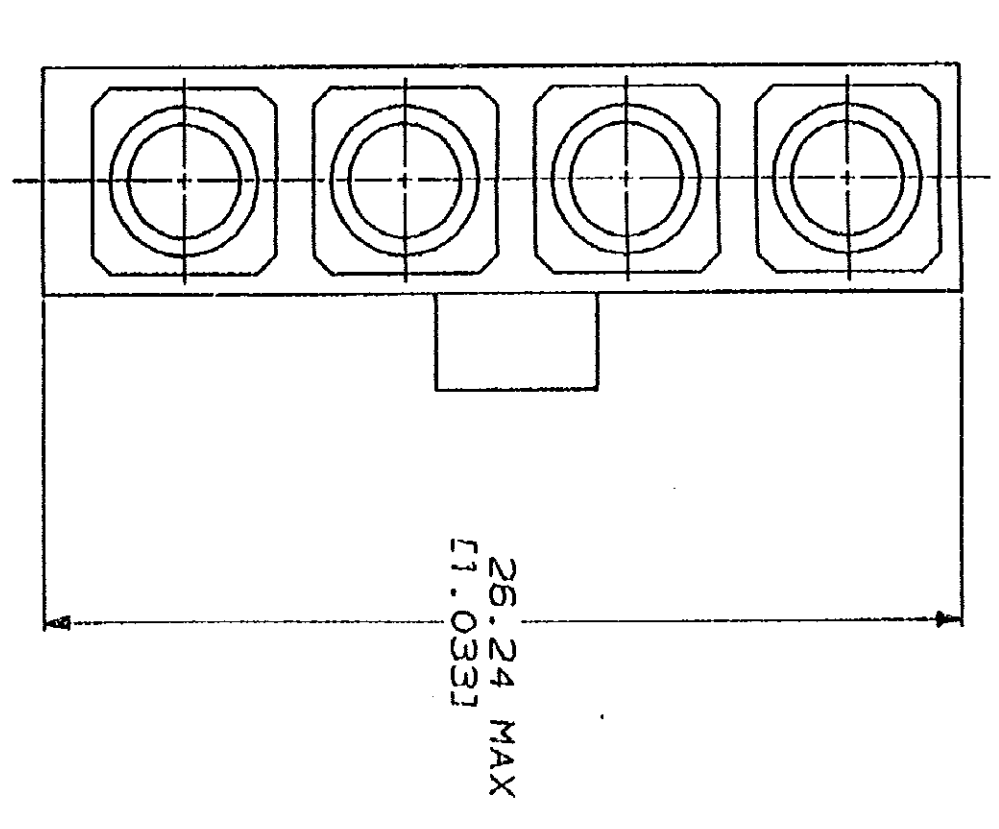
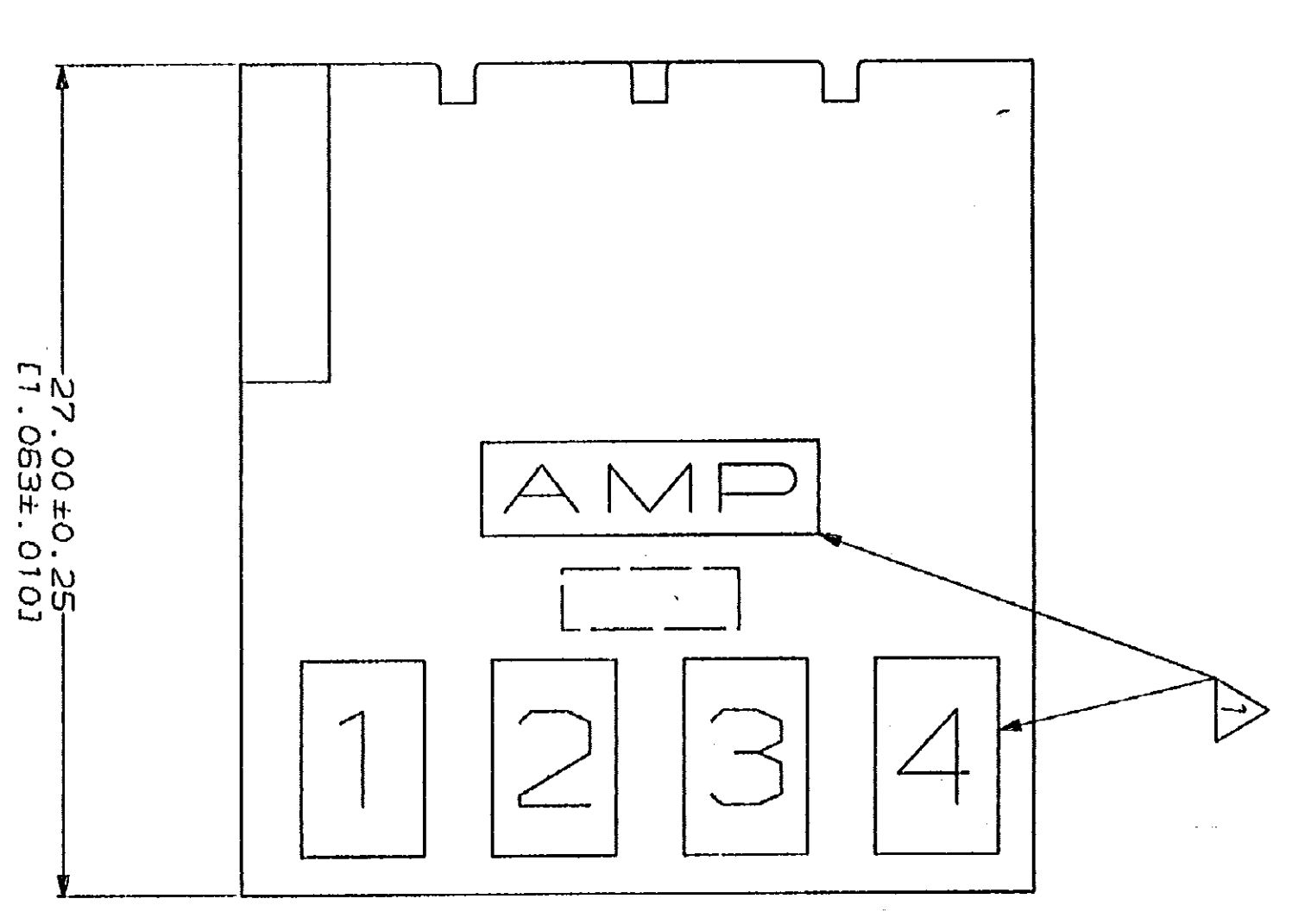
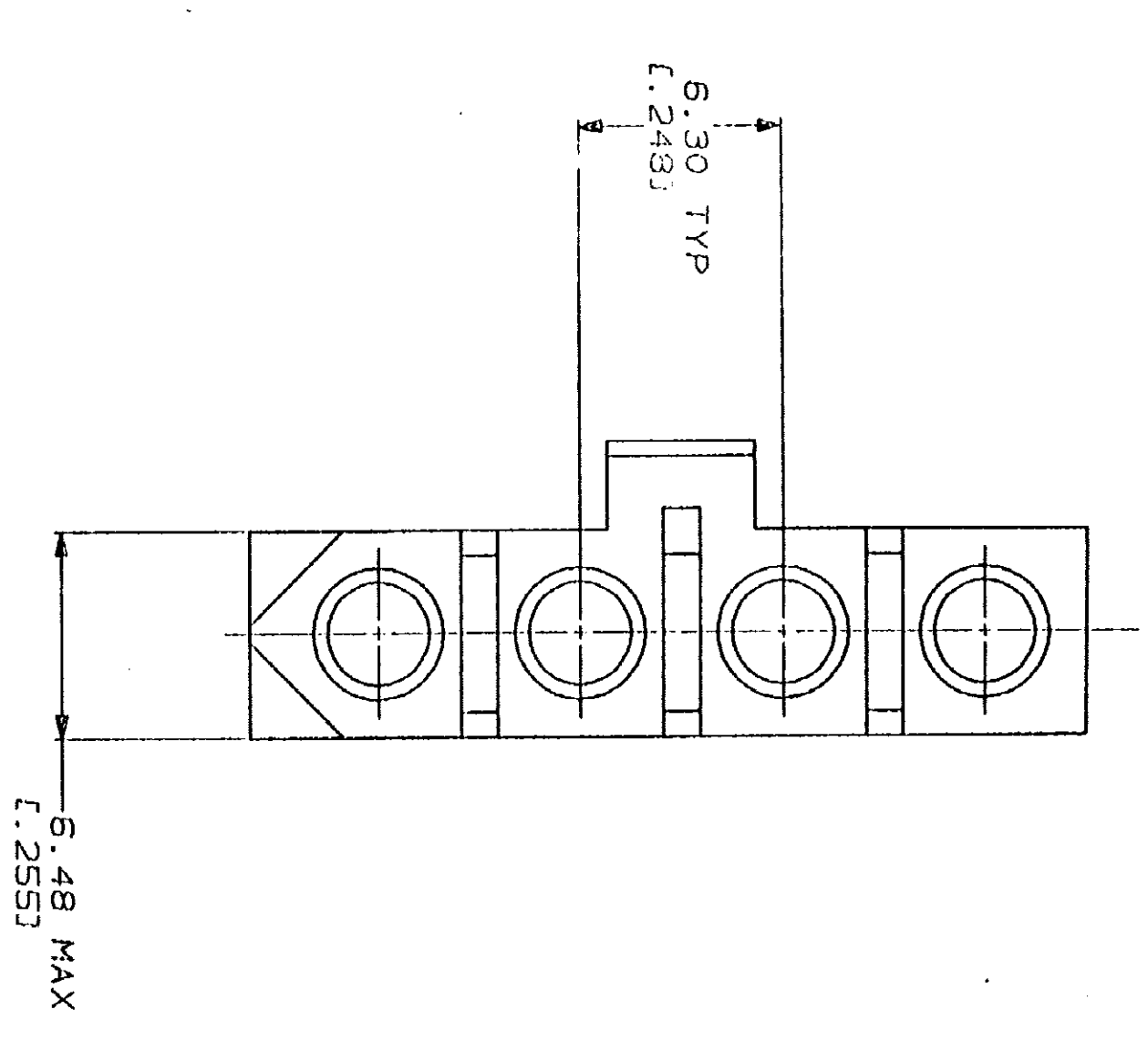


DRAWING MADE IN THIRD ANGLE PROJECTION  
 THIS DRAWING IS UNLESS SPECIFIED  
 © COPYRIGHT 19  
 RELEASED FOR PUBLICATION  
 BY AMP INCORPORATED. ALL INTERNATIONAL RIGHTS RESERVED.

REV	DATE	APP'D	DESCRIPTION
1	4-18-91	RS	
2			B1 REVISED PER ECM CW-3387



3 DIMENSIONAL MODEL  
NTS

△ AMP LOGO AND CIRCUIT NUMBERS LOCATED IN THIS AREA,  
 EITHER SIDE.  
 2. DIMENSIONS IN BRACKETS ARE IN INCHES.

DO NOT SCALE PRINT. UNLESS SPECIFIED DIMENSIONS IN mm (INCHES) DIMENSIONS ON 1 3 PLG DEC # 0.13 (0.005) ANGLES # # # # # MATERIAL		DR K. WHITAKER 10-31-90	CHK R. SWINE 10-31-90	APP'D C. CASH 10-31-90	PRODUCT SPEC	APPLICATION SPEC	FINISH NYLON, UL 94V-2 NATURAL
NAME <b>AMP</b> AMP Incorporated Harrisburg, PA 17105-3508		PART NO 770784-1		RECEPTACLE, POSITIVE LOCK, 4 CIRCUIT, COMMERCIAL PIN AND SOCKET		SIZE D 00779	DRAWING NO 770784
SCALE 5:1		SHEET 1 OF 1		CUSTOMER DRAWING			

**METRIC**