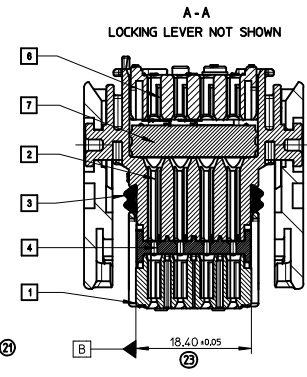
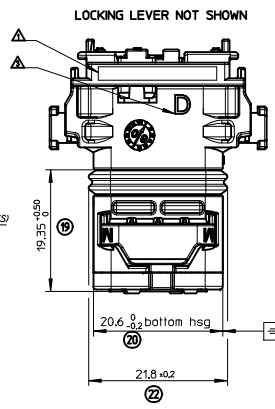
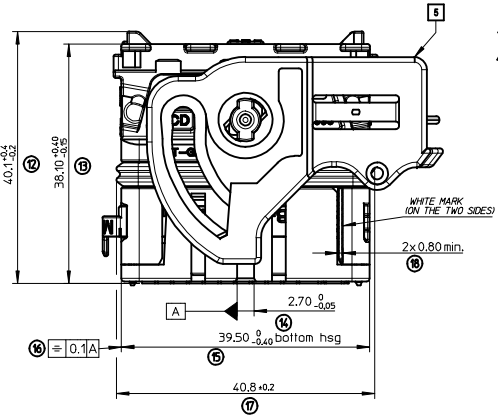
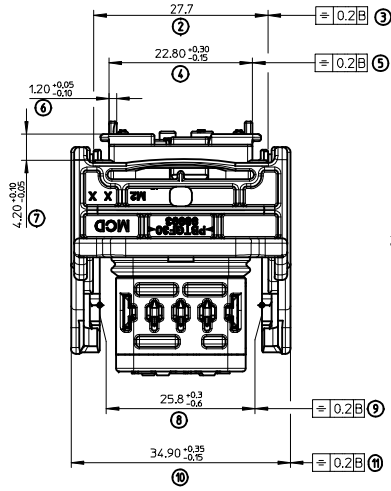
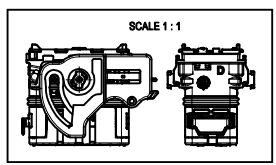
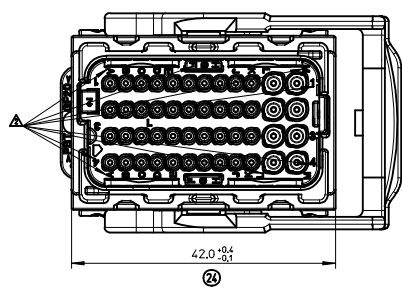


LEFT WIRE OUTPUT	
MATERIAL NUMBER	COLOR
0643201311	BLACK
0643201318	GREY
0643201319	BROWN
0643201315	GREEN



RIGHT WIRE OUTPUT	
MATERIAL NUMBER	COLOR
0643203311	BLACK
0643203318	GREY
0643203319	BROWN
0643203315	GREEN



- NOTES:**
- FOR ILLUSTRATION PURPOSE THE FEMALE HOUSING SHOWN IS THE RIGHT WIRE OUTPUT VERSION CODING 1
 - APPLICATION SPECIFICATION: AS-64319-002
 - WIRES EXTERNAL DIAMETER USED:
FOR CP0.6 TERMINAL: USE WIRES WITH AN EXTERNAL DIAMETER BETWEEN $\phi 1.25\text{MM}$ MIN AND $\phi 1.90\text{MM}$ MAX
FOR CPL5 TERMINAL: USE WIRES WITH AN EXTERNAL DIAMETER BETWEEN $\phi 1.40\text{MM}$ MIN AND $\phi 2.00\text{MM}$ MAX
 - THE CONNECTOR FITS WITH WIRE CAP (48 WAY) MOLEX P/N 0643201301
 - BLIND PLUG FOR 06 AND 15 CAVITIES (MOLEX P/N 0643251010 AND 0643251023) MUST BE USED ON THIS PART.
 - DELIVERED PRODUCT WEIGHT: 33.8 g

REF.	DESIGNATION	MATERIAL	COLOR
7	MAT SEAL	Silicon	RED
8	BACK GRID 48W	>PBT-GF20<	GREY
9	LOCKING LEVER 48W	>PBT-GF30<	BLACK
4	SECONDARY LOCK	>PBT-GF20<	GREY
3	PERIPHERAL SEAL 48W	Silicon	RED
2	BACK PART	>PBT-GF20<	BLACK
1	FRONT PART	>PBT-GF20<	COLOR LINKED TO KEYING

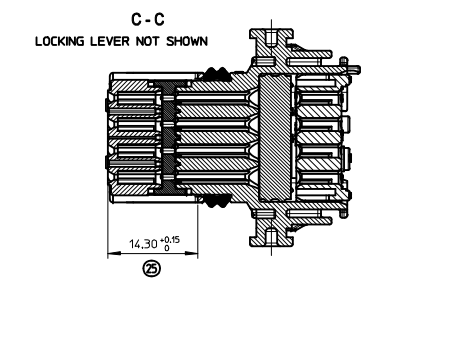
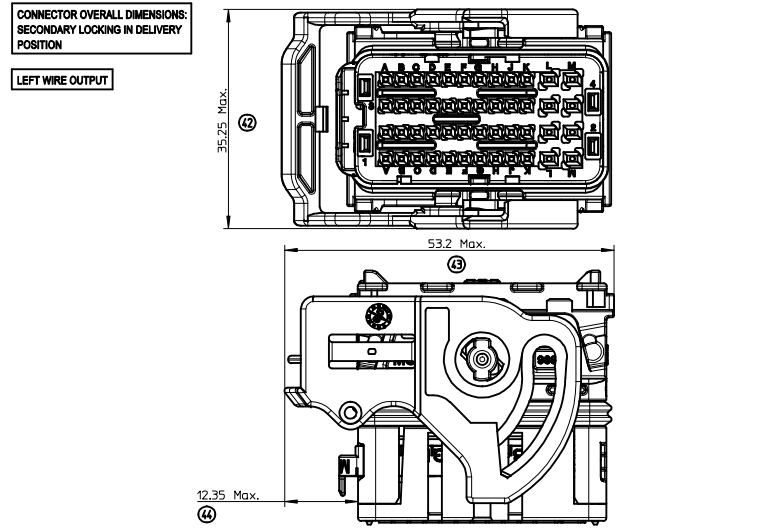
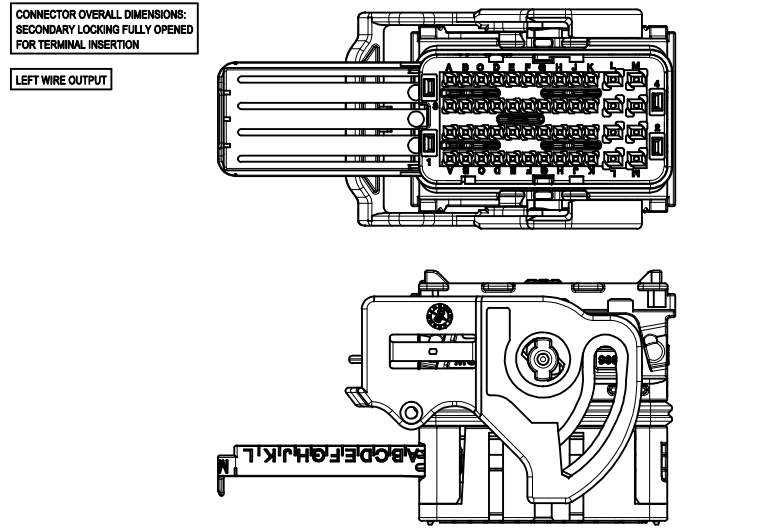
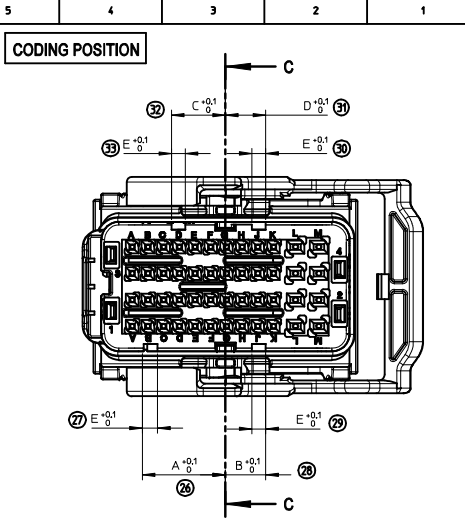
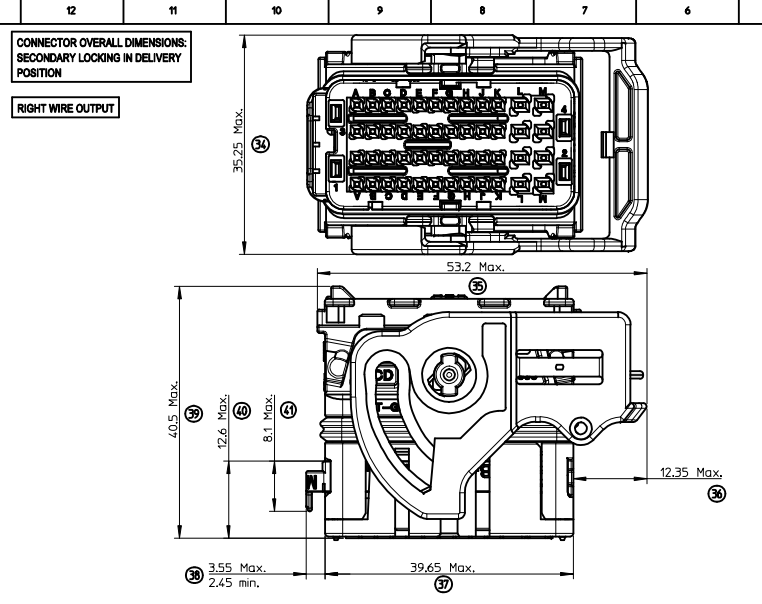
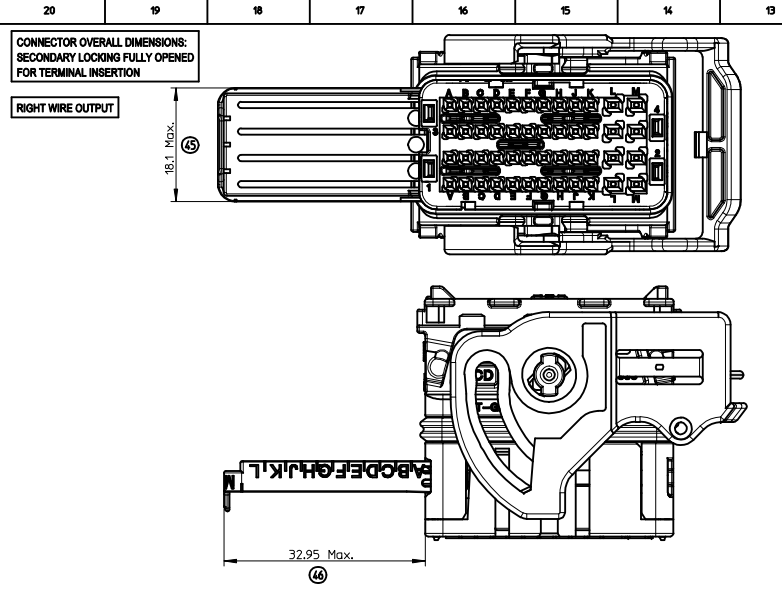
- MARKINGS:**
- Assembled part traceability Year + Day
 - Terminal cavities identification
 - Lever position indicator: 'D' LETTER VISIBLE - part with "RIGHT WIRE OUTPUT" 'G' LETTER VISIBLE - part with "LEFT WIRE OUTPUT"
 - Supplier identification
 - Material identification

APPL.SPEC. CHANGED EC NO: G2016-0064 G DRWINGPLESSIS 2015/11/30 CHYKHOURBIN 2015/12/04 APPR:BOUCHAN 2015/12/02	QUALITY SYMBOLS DESCRIPTION	GENERAL TOLERANCES (UNLESS SPECIFIED)	DIMENSION STYLE MM ONLY	SCALE 2,5:1	DESIGN UNITS METRIC	FIRST ANGLE PROJECTION
		4 PLACES ± --- ± --- 3 PLACES ± --- ± --- 2 PLACES ± 0.1 ± --- 1 PLACE ± 0.1 ± --- 0 PLACE ± --- ± ---	mm INCH ± --- ± --- ± --- ± --- ± 0.1 ± --- ± 0.1 ± --- ± --- ± ---	DRAWN BY T. BADAROUX	DATE 2007/07/16	CHECKED BY P. GRANDCLAUD
DRAFT WHERE APPLICABLE MUST REMAIN WITHIN DIMENSIONS		ANGULAR ± 2°	SEE CHARTS	THIS DRAWING CONTAINS INFORMATION THAT IS PROPRIETARY TO MOLEX INCORPORATED AND SHOULD NOT BE USED WITHOUT WRITTEN PERMISSION		DOCUMENT NO. SD-64320-001

CMC CONNECTOR 48 WAY MAT SEAL VERSION

molex

SHEET NO.
1 OF 2



COLOR	CODING	A	B	C	D	E
BLACK	1	13	6.4	8.6	6.4	2.2
GREY	2	10.8	8.6	13	8.6	2.2
BROWN	3	8.6	10.8	13	13	2.2
GREEN	4	10.8	13	6.4	6.4	2.2

TERMINALS USED				
CAVITY N°	FEMALE TERMINALS (Section mm2)	PLATING	MOLEX P/N*	min / MAX WIRE INSULATION DIAMETER (mm)
A1 to K1 A2 to K2 A3 to K3 A4 to K4	CP 0.6 0.35mm2	Tin plated	0643221019	Ø1.25 min / Ø1.40 Max
		Gold plated	0643221229	
	CP 0.6 0.5mm2	Tin plated	0643221039	Ø1.40 min / Ø1.70 Max
		Gold plated	0643221239	
L1 to L4 M1 to M4	CP 0.6 0.75mm2	Tin plated	0643221029	Ø1.60 min / Ø1.90 Max
		Gold plated	0643221219	
	CP 15 0.5mm2 to 1mm2	Tin plated	0643231029	Ø1.40 min / Ø2.15 Max
		Gold plated	0643231319	
CP 15 >1mm2 to 2mm2	Tin plated	0643231039	Ø2.10 min / Ø2.80 Max	
	Gold plated	0643231219		

APPL. SPEC. CHANGED
EC NO: G2016-0064
DRAWN BY: 2015/11/30
CHECKED BY: 2015/12/01
CHKD BY: 2015/12/01
APPR: BOUCHAN 2015/12/02

QUALITY SYMBOLS
DESCRIPTION

GENERAL TOLERANCES (UNLESS SPECIFIED)

	mm	INCH
4 PLACES	± 0.1	± 0.004
3 PLACES	± 0.15	± 0.006
2 PLACES	± 0.2	± 0.008
1 PLACE	± 0.3	± 0.012
0 PLACE	± 0.4	± 0.016

ANGULAR ± 2°
DRAFT WHERE APPLICABLE
MUST REMAIN WITHIN DIMENSIONS

DIMENSION STYLE
MM ONLY

SCALE
2.5:1

DESIGN UNITS
METRIC

FIRST ANGLE PROJECTION

DRAWN BY: T. BADAROUX 2007/07/16
CHECKED BY: P. GRANDCLAUD 2007/07/16
APPROVED BY: C. BOUCHAN 2007/07/16

TITLE
C-MC CONNECTOR 48 WAY
MAT SEAL VERSION

SEE SHEET 1

MATERIAL NO.
DOCUMENT NO.
SD-64320-001

SHEET NO.
2 OF 2

THIS DRAWING CONTAINS INFORMATION THAT IS PROPRIETARY TO MOLEX
INCORPORATED AND SHOULD NOT BE USED WITHOUT WRITTEN PERMISSION