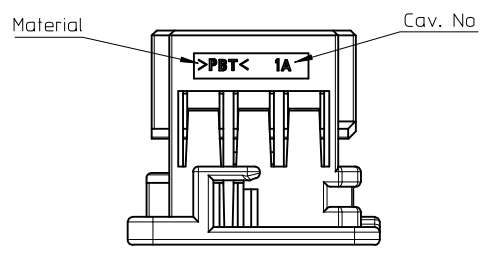
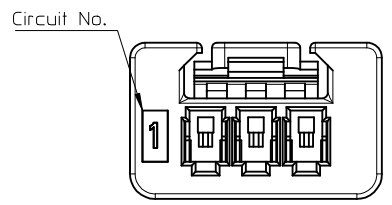
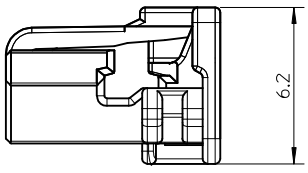
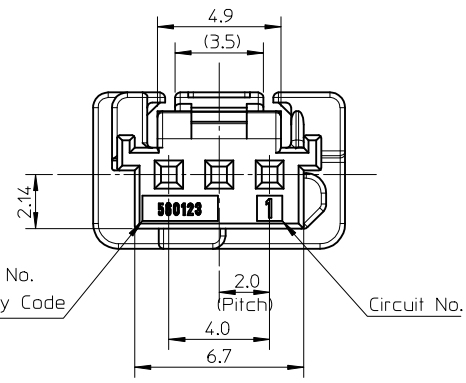
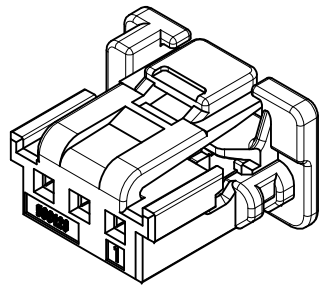
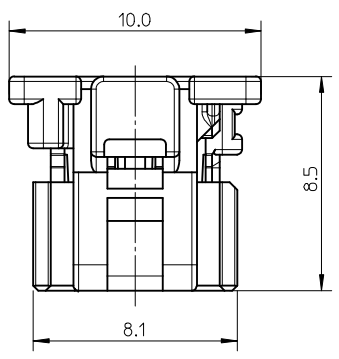


GENERAL TOLERANCE										USED ON
10 MAX	30 MAX	50 MAX	70 MAX	100 MAX	120 MAX	250 MAX	250 OVR	ANGLE	ECCENT	
±0.15	±0.20	±0.30	±0.40	±0.50	±0.75	±0.90	±1.4	±0.5°	0.1	



- NOTES:
1. MATERIALS : POLYESTER (PBT), GLASS FILLED,UL 94V-0
 2. MATES WITH : 502352, 560020 SERIES
 3. APPLICABLE TERMINAL : 560124-0101, 560124-0131
 4. APPLICABLE ISL : 560125-0300, 560125-0301
 5. GENERAL TOLERANCES : SEE TABLE
 6. ELV AND RoHS COMPLIANT
 7. PRODUCT SPECIFICATION : PS-560123-001
 8. PACKING SPECIFICATION : PK-560123-001

ORDER NO.	MATERIAL NO.	COLOR
560123-0300	5601230300	WHITE
560123-0301	5601230301	BLACK
560123-0302	5601230302	RED
560123-0304	5601230304	BLUE

ADDED OPTION EC NO: KTR2016-0056 DRWNS:JLEE06 2016/02/23 CHKD:BCYOON 2016/02/23 APPR:JYCHO1 2016/02/25	QUALITY SYMBOLS ▽=0 ◻=0	GENERAL TOLERANCES (UNLESS SPECIFIED)		DIMENSION STYLE MM ONLY		SCALE	DESIGN UNITS METRIC	THIRD ANGLE PROJECTION		
			mm	INCH	DRAWN BY	DATE	TITLE	NEW 2.0 PITCH W/B CONN. REC. 3WAY HSG DURACLIK™ ISL SERIES MOLEX INCORPORATED		
		4 PLACES	± ---	± ---	YIBA EK	2014/07/08				
		3 PLACES	± ---	± ---	CHECKED BY	DATE				
2 PLACES	± ---	± ---	BCYOON	2014/07/08						
1 PLACE	± ---	± ---	APPROVED BY	DATE						
ANGULAR ± ---°				SRTAK	2014/08/26	MOLEX DOCUMENT NO.		SHEET NO.		
DRAFT WHERE APPLICABLE MUST REMAIN WITHIN DIMENSIONS				SEE TABLE		SD-560123-003		1 OF 1		
				SIZE	THIS DRAWING CONTAINS INFORMATION THAT IS PROPRIETARY TO MOLEX INCORPORATED AND SHOULD NOT BE USED WITHOUT WRITTEN PERMISSION					