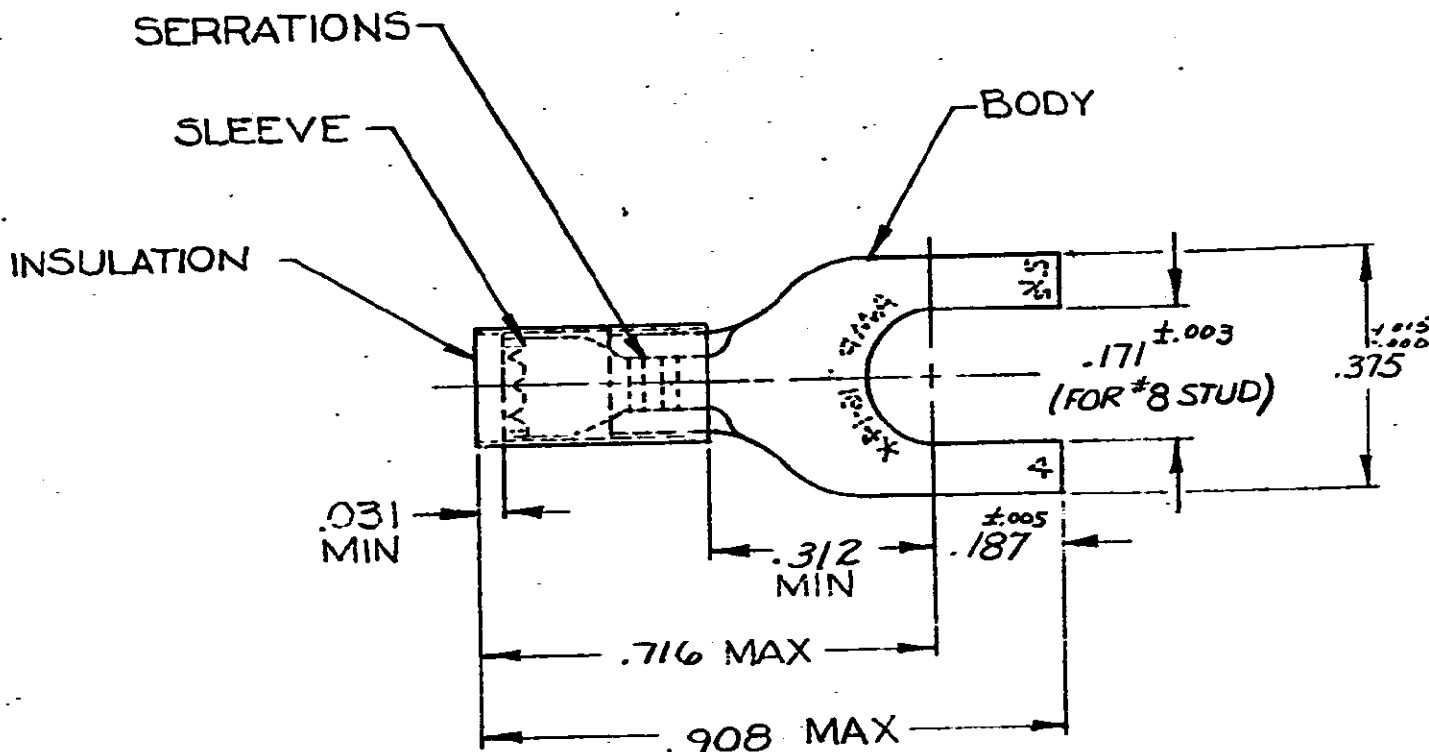


DRAWING MADE IN AMERICAN PROJECTION

LOC 6 PRINT DISK 14

REVISIONS

LTR	DESCRIPTION	DATE	APPROVED
C1	REVISED PER ECO-11-005294	11APR11	HMR



TONGUE MATERIAL THK = .031 ±.002
FOR .105 TO .150 WIRE INSULATION DIA

QTY	DESCRIPTION	PART NO	MATERIAL & FINISH
100	LOOSE PC, BOX	8-32056-1	
1	32056 ON TAPE	2-32056-1	BODY: COPPER (QQ-C-576) TIN PL (MIL-T-10727)
1	WIRE TERMINAL	32056	SLEEVE: COPPER (QQ-C-576) INSULATION: NYLON COLOR: BLUE

UNLESS OTHERWISE SPECIFIED DIMENSIONS ARE IN INCHES
TOLERANCES ON:
DECIMALS ±.008
ANGLES ±5°

MATERIAL
SEE TABLE

CONTRACT NO.	
DR.	<i>Ph Emmeringer</i> 3-12-70
CHK.	<i>P. L. Youngblood</i> 3-16-70
APPD.	<i>J. Walzel</i> 3-16-70
REL.	<i>P. L. Youngblood</i> 3-17-70
DSGN APPD.	
OTHER APPD.	

TE Connectivity		
NAME: WIRE TERMINAL P.I.D.G. - SPADE WIRE SIZE: 16-14		
SIZE: A	CODE IDENT NO.: 00779	NUMBER: 32056
SCALE: NTS	SHEET 1 OF 1	

CUSTOMER DRAWING

32056