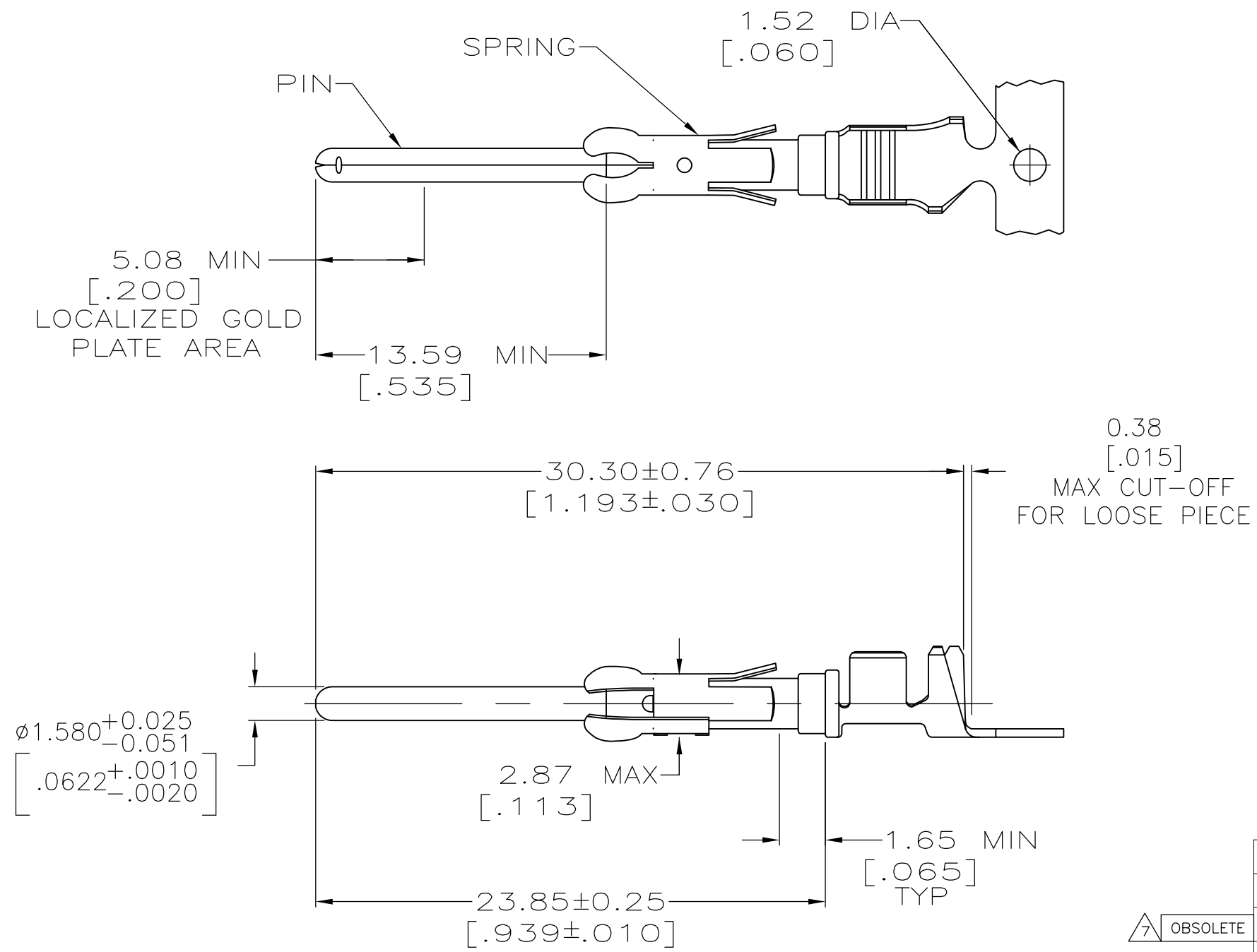


THIS DRAWING IS UNPUBLISHED. RELEASED FOR PUBLICATION
 © COPYRIGHT BY TYCO ELECTRONICS CORPORATION. ALL RIGHTS RESERVED.

LOC	DIST	REVISIONS			
P	LTR	DESCRIPTION	DATE	DWN	APVD
FT	0	F1	REVISED PER ECO-06-14999	6/23/06	SS GS
		F2	REVISED PER ECO-09-020689	26AUG09	KK AEG



- 1 STAINLESS STEEL.
- 2 BRASS.
- 3 1.27um [.000050] MIN TIN-LEAD OVER 1.27um [.000050] MIN NICKEL.
- 4. WIRE RANGE: 14-18 AWG. INSULATION RANGE: 2.79-3.81 [.110-.150] DIA.
- 5 0.76um [.000030] MIN GOLD IN LOCALIZED GOLD PLATE AREA, OVER 1.27um [.000050] MIN NICKEL.
- 6 1.27um [.000050] MIN TIN OVER 1.27um [.000050] MIN NICKEL.
- 7 OBSOLETE PARTS: OBSOLETE CIS STREAMLINING PER D.RENAUD/D.SINISI

	LOOSE PIECE STRIP	6	213603-6
	LOOSE PIECE STRIP	6	213603-5
7	LOOSE PIECE STRIP	5	213603-4
	LOOSE PIECE STRIP	5	213603-3
	LOOSE PIECE STRIP	3	213603-2
	LOOSE PIECE STRIP	3	213603-1
	DESCRIPTION	PIN FINISH	PART NO.

THIS DRAWING IS A CONTROLLED DOCUMENT.		DWN L.SIPE 05/07/90	Tyco Electronics Corporation Harrisburg, PA 17105-3608	
DIMENSIONS: mm [INCHES]		CHK R STONE 5-17-90	PIN ASSEMBLY, 5015 SERIES, 14-18 AWG, SPECIAL TYPE III+	
TOLERANCES UNLESS OTHERWISE SPECIFIED:		APVD -	PRODUCT SPEC -	
0 PLC ± -		APPLICATION SPEC -		
1 PLC ± -		SIZE A3		
2 PLC ± 0.13 [.005]		CAGE CODE 00779		
3 PLC ± -		DRAWING NO C-213603		
4 PLC ± -		RESTRICTED TO -		
ANGLES ± -		SCALE 4:1		
FINISH SEE TABLE		SHEET 1 OF 1		
MATERIAL SPRING: 1		REV F2		
PIN: 2		CUSTOMER DRAWING		