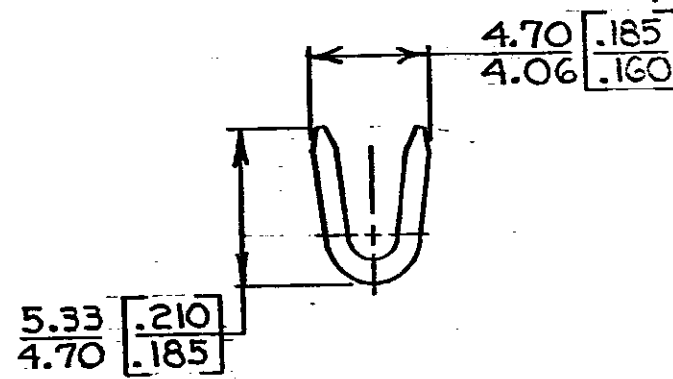
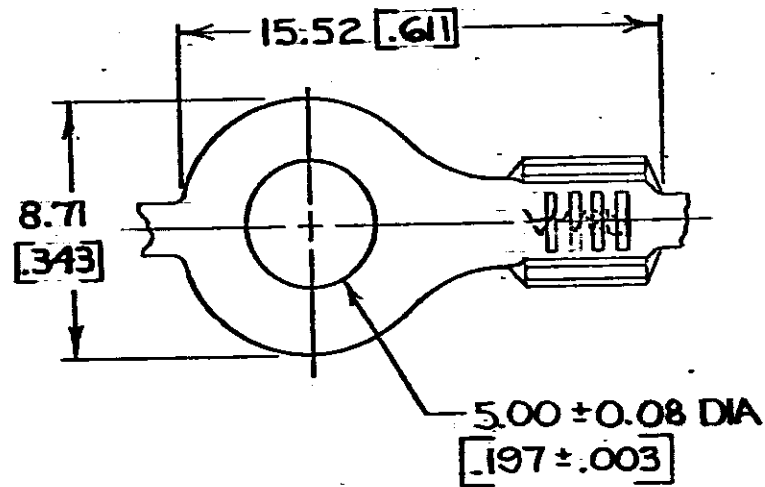


DRAWING MADE IN THIRD ANGLE PROJECTION

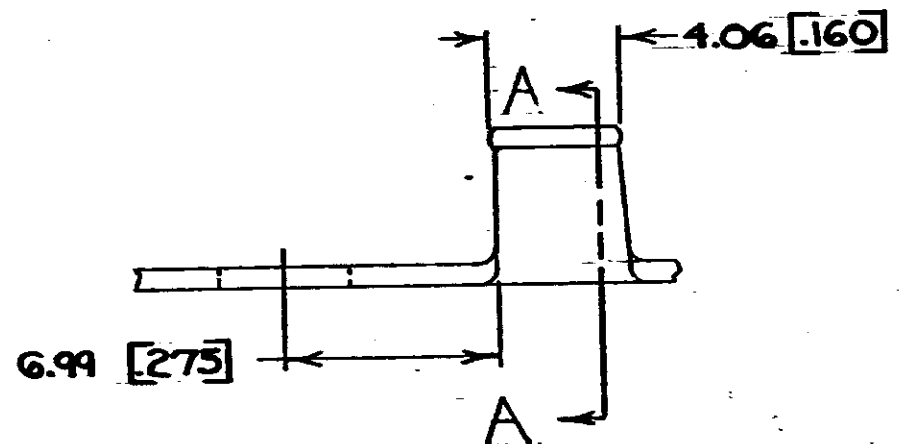
© COPYRIGHT 1965 BY AMP INCORPORATED, HARRISBURG, PA.
 ALL INTERNATIONAL RIGHTS RESERVED. AMP INCORPORATED PRODUCTS
 COVERED BY U. S. AND FOREIGN PATENTS AND/OR PATENTS PENDING.

1 LOC AF DIST 50

REVISIONS					
P/F	ZONE	LTR	DESCRIPTION	DATE	APPROVED
✓		S	REDRAWN & REVISED A-3943	9/20/78	CEP
✓		T	REV PER AF-6785	7/2/80	PMF 64



SECT A-A



#10	Q8-2.0 mm ² [18-14]	TIN	0.76 [.030] BRASS	40977
STUD SIZE	WIRE SIZE	FINISH	MATERIAL	PART NO

UNLESS OTHERWISE SPECIFIED DIMENSIONS ARE IN <u>mm</u> TOLERANCES ON: DECIMALS ±0.30[0.05] ANGLES 1°	CONTRACT NO		AMP INCORPORATED Harrisburg, Pa.	
	DR	4-76-78		
	MATERIAL	CHK	NAME	
	SEE TABLE	R.P. Frantz 8-1-78	RING	
FINISH	APPD	SIZE	CODE IDENT NO	DRAWING NO
SEE TABLE	Co. Zick 8-1-78	B	00779	40977
	DSGN APPD	SCALE		SHEET
	OTHER APPD			

1. CONTINUOUS STRIP, ON REELS.
2. DIMENSIONS IN BRACKETS ARE IN INCHES.

METRIC

CUSTOMER DRAWING