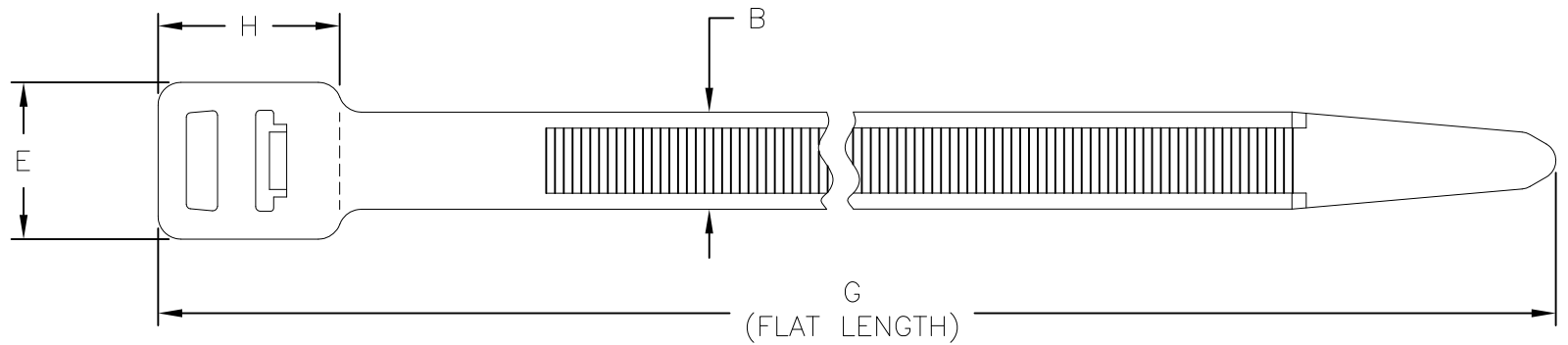
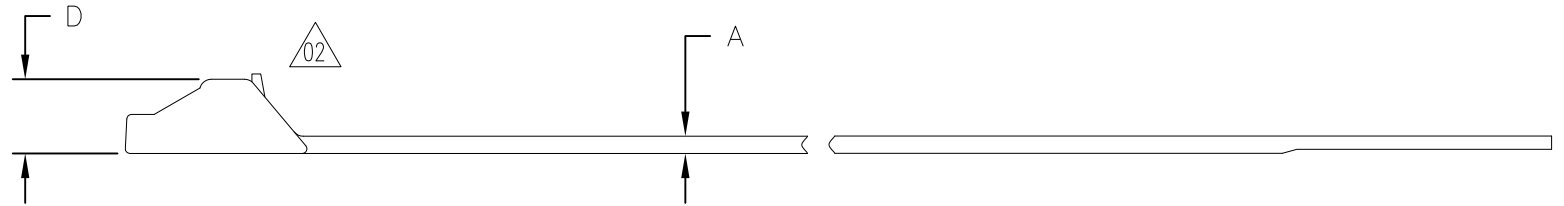


Revision level		Revision Record	Changed	Date	Approved	Date
part	drawing					
—	02					



PRODUCT CODE DESCRIPTION

RT250L_UV
 COLOR
 (CONSULT FACTORY FOR AVAILABLE COLORS)

Aerospace Spec Tie SAE AS33671	Product Code	Cable Range (mm)	Material	A	B	D	E	G	H	Min Loop Tensile Strength (newtons)
no	RT250L_	12 to 254	PA66	2.2 ±0.2	12.5±0.2	9.5 ±0.5	20.0±0.5	880.0 ±5.0	22.4 ±1.0	1115
no	RT250L_HS		PA66HS							
no	RT250L_UV		PA66UV							

SEE CHART

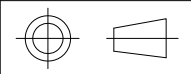
Material

Dimension tolerances unless otherwise specified
 .XXX = ± .0130
 .XXX = ± .130
 .XX = ± .30
 .X = ± .8
 < = ± 0.5 °

Dimension Units mm

PERFORMANCE SPECIFICATION

ACAD MECH 2010



Drawn GGG 07/31/91
 Approved K.A.C. 04/22/11

Scale 1:1
 Title

Computer File Number CT\CST\2250010_02
 Phase: Production

ALL PROPRIETARY RIGHTS IN THE SUBJECT MATTER SHOWN ON THIS DRAWING ARE EXCLUSIVE PROPERTY OF HELLERMANN TYTON

HellermannTyton

7930 N. Faulkner Rd.
 Milwaukee, WI 53224
 Ph: (414) 355-1130
 Fx: (414) 362-8338

**RT250L
 RELEASABLE HEAVY DUTY
 LASHING CABLE TIE**

Drawing-No
CT2250010CST

Format AH
 Sheet 1 of 1