

MATERIALS AND FINISHES

BODY BRASS  
PLATED NICKEL

CENTER CONTACT BRASS  
PLATED GOLD (10u")

INSULATOR POLYPROPYLENE

WASHER , RETAINING RING BRASS  
PLATED NICKEL

COUPLING NUT BRASS  
PLATED NICKEL

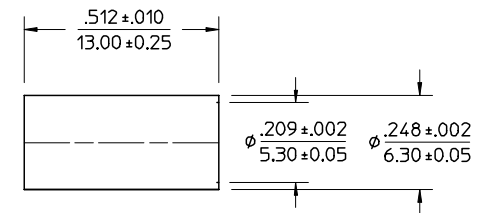
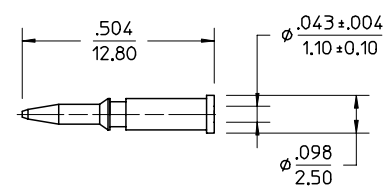
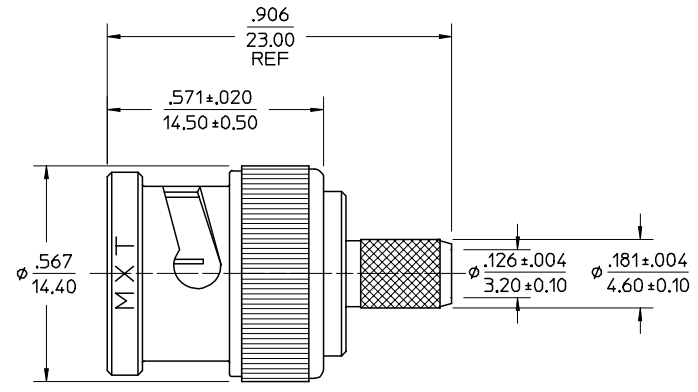
SPRING WASHER PHOSPHOR BRONZE  
PLATED NICKEL

GASKET SILICONE RUBBER

CABLE ATTACHMENT:

INNER CONTACT ATTACHMENT--SOLDER/CRIMP(HEX:1.69)  
OUTER CONDUCTOR--CRIMP(HEX:5.41)

PACKAGING: INDIVIDUAL PLASTIC BAGS.



PART # 73174-0083

AS-89678-9040	PRODUCT SPECIFICATION
PS-73598-0024	ASSEMBLY INSTRUCTION
SPECIFICATION	DESCRIPTION

CHG: AS-89678-9070 WAS AS-73597-0042 TITLE CHG. 'SD' WAS 'SDA' EC NO. RF03-134 DRWN: CLAIRE 05/20/03 CHK: JOHNSON APPR: NISEN	DESCRIPTION
	REV

UNLESS OTHERWISE SPECIFIED DIMS ARE INCHES AND ANGLES ARE DEGREES.

- ✓ 63 ALL OVER.
- NO CHATTER OR NON-UNIFORM SURFACE FINISH ALLOWED.
- PARTS TO BE FREE OF BURRS & SHARP EDGES .005 MAX BREAK.
- EXTERNAL THREADS TO BE ROLLED OR SINGLE POINT.
- DIAMETERS TO BE CONCENTRIC WITHIN .003 TIR.

QUALITY SYMBOLS	GENERAL TOLERANCES: (UNLESS SPECIFIED)
MAJOR	mm INCH
CRITICAL	4 PLACES * — * —
	3 PLACES * — * —
	2 PLACES * .13 * —
	1 PLACE * .25 * —
	ANGULAR: ±2°
	DRAFT WHERE APPLICABLE MUST REMAIN WITHIN DIMENSIONS

SCALE	DESIGN UNITS
	<input checked="" type="checkbox"/> mm <input type="checkbox"/> INCH
DRAWN BY & DATE	
KELLY92/06/20	
CHECKED BY & DATE	
APPROVED BY & DATE	
CAD FILENAME	

THIRD ANGLE PROJECTION		DIMENSIONS:		1	D
<input type="checkbox"/> mm <input checked="" type="checkbox"/> INCH		<input type="checkbox"/> mm <input checked="" type="checkbox"/> INCH		SHT	REV
TITLE:		REVISE ON CAD ONLY			
50 OHMS BNC STRAIGHT PLUG FOR RG58C/U, RG141A/U, RG303/U					
MOLEX INCORPORATED - TAIWAN (MXT)					
MATERIAL NO.	DRAWING NO.	SHEET NO.			
SEE NOTE	SD-73174-0083	1 of 1			
THIS DRAWING CONTAINS INFORMATION THAT IS PROPRIETARY TO MOLEX INCORPORATED AND SHOULD NOT BE USED WITHOUT WRITTEN PERMISSION.					SIZE
					B