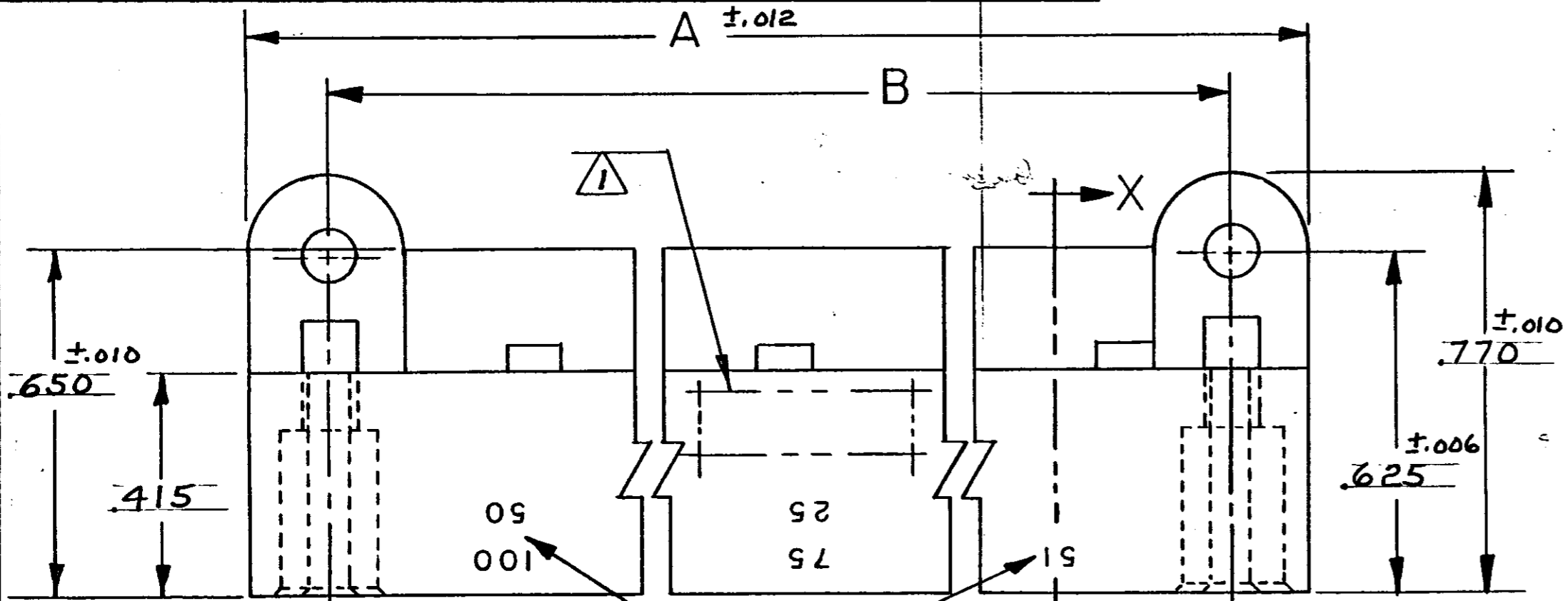


THIS DRAWING IS UNPUBLISHED. RELEASED FOR PUBLICATION 19  
© COPYRIGHT 19 BY AMP INCORPORATED, HARRISBURG, PA. ALL INTERNATIONAL RIGHTS RESERVED. AMP PRODUCTS MAY BE COVERED BY U.S. AND FOREIGN PATENTS AND/OR PATENTS PENDING.

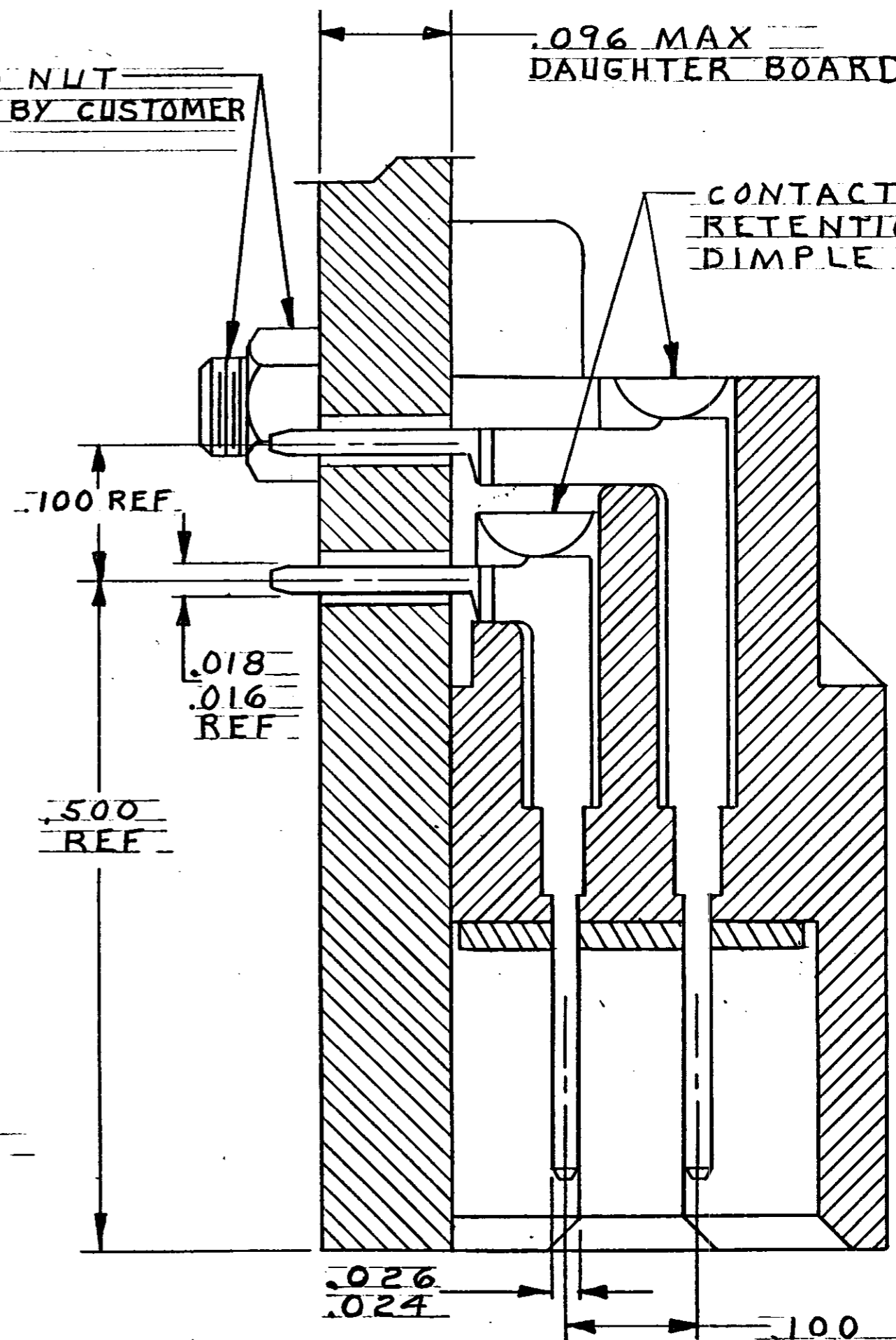
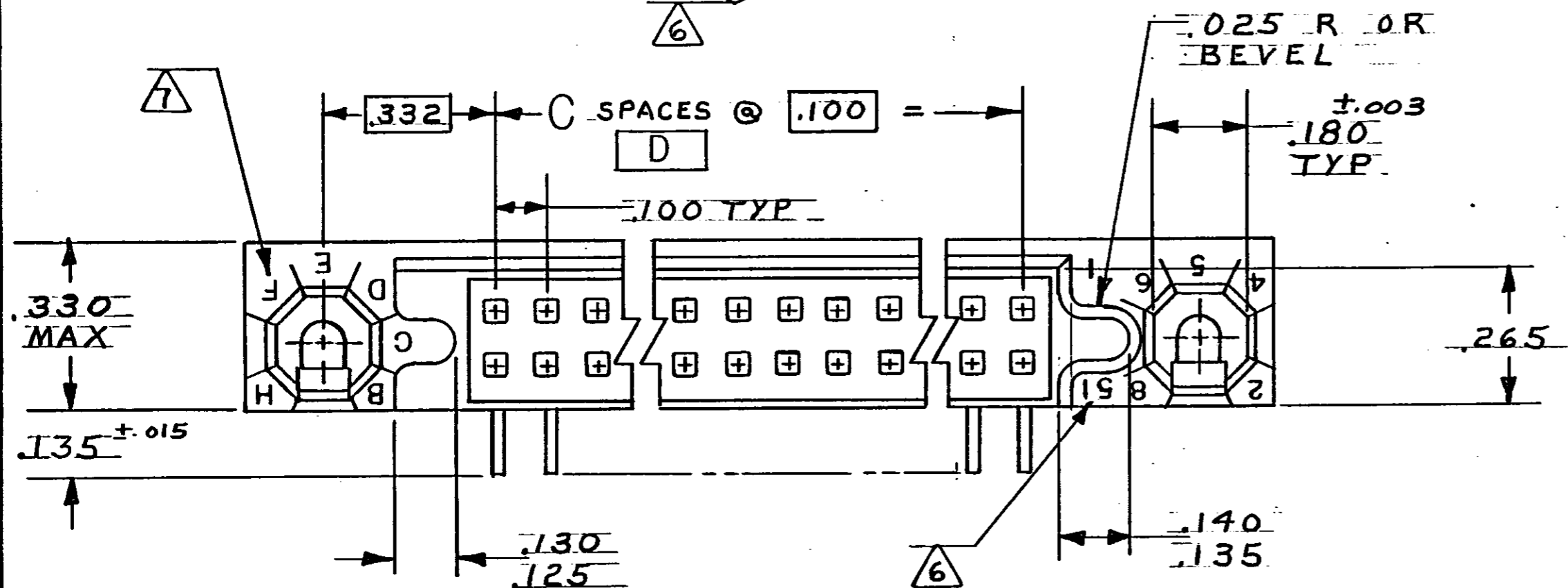
REVISIONS						
P	F	ZONE	LTR	DESCRIPTION	DATE	APPROVED
			J	ECO-08-020831	PY 10-08	BW



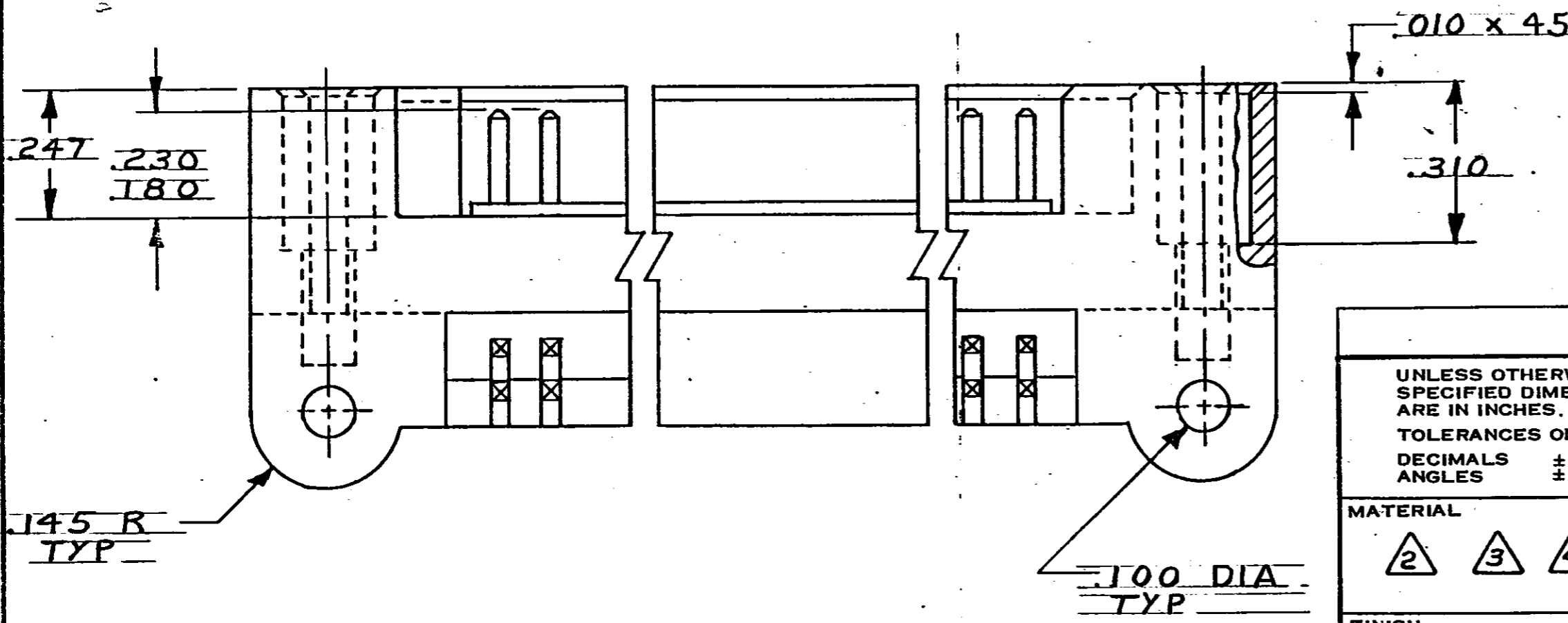
BOLT AND NUT SUPPLIED BY CUSTOMER

.096 MAX DAUGHTER BOARD

CONTACT RETENTION DIMPLE



SECTION X-X  
SCALE 10:1



UNLESS OTHERWISE SPECIFIED DIMENSIONS ARE IN INCHES. TOLERANCES ON: DECIMALS ±.005 ANGLES	CONTRACT NO	AMP   AMP INCORPORATED Harrisburg, Pa. 17105	
	DR <i>M. Smith</i> 10-28-81	NAME BOX CONNECTOR, PIN ASSY, RIGHT ANGLE, 100I SERIES, W/GASKET	
MATERIAL	CHR <i>W. Pritchard Jr</i> 12-16-81	SIZE C	FSCM NO 00779
FINISH	APPD <i>W. Pritchard Jr</i> 12-16-81	DRAWING NO 531722	REV J
	APPD <i>ST. Parsons</i> 12-22-81	SCALE 4:1	SHEET 1 OF 2
	DSGN APPD	PART NO	
	OTHER APPD	CUSTOMER DRAWING	

531722

THIS DRAWING IS UNPUBLISHED. RELEASED FOR PUBLICATION, 19  
 © COPYRIGHT 19 BY AMP INCORPORATED, HARRISBURG, PA. ALL INTERNATIONAL RIGHTS RESERVED. AMP PRODUCTS MAY BE COVERED BY U.S. AND FOREIGN PATENTS AND/OR PATENTS PENDING.

P		F		ZONE	LTR	DESCRIPTION	DATE	APPROVED
✓	✓					SEE SHT 1		

D

D

C

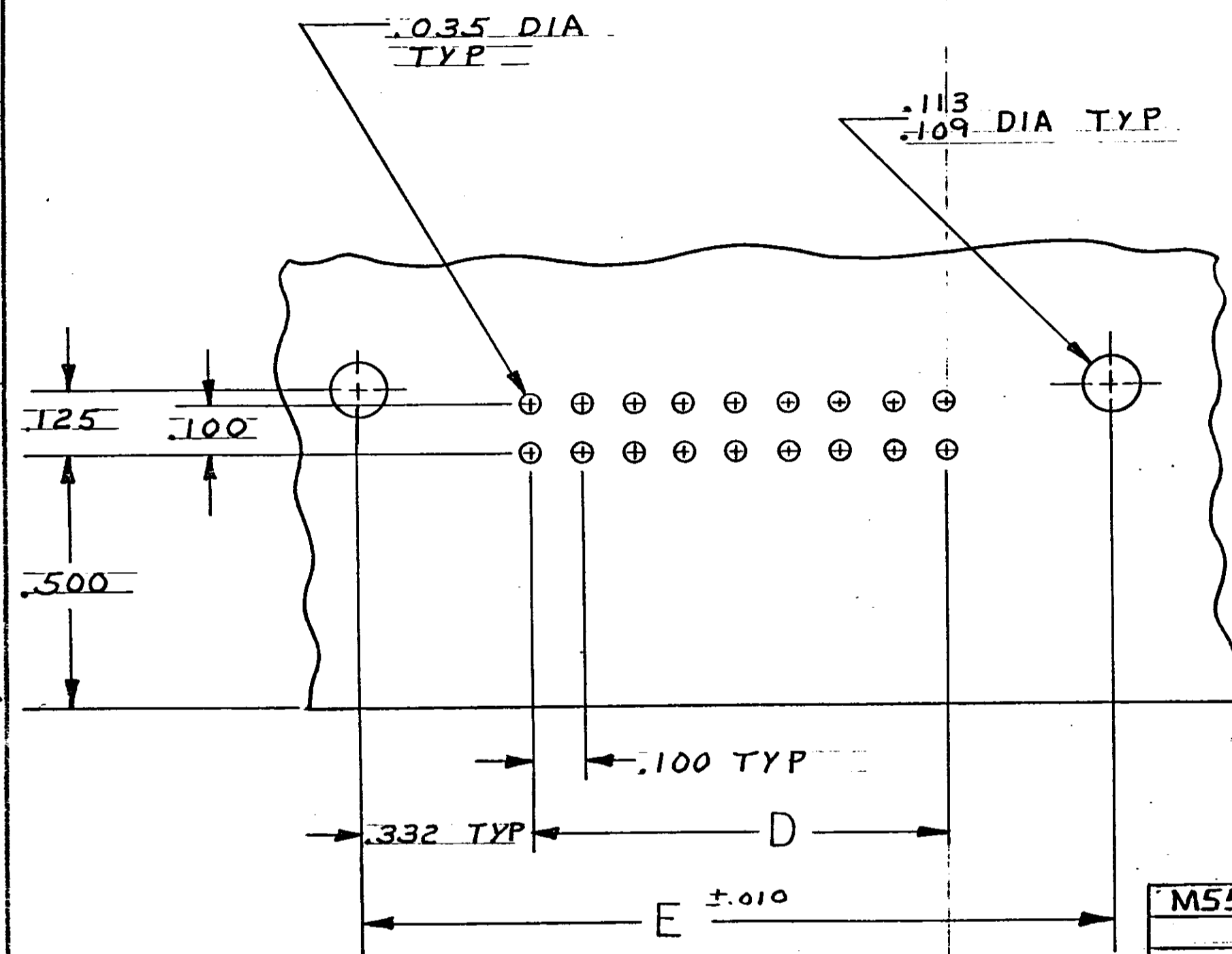
C

B

B

A

A



RECOMMENDED P C BOARD LAYOUT

- ① AMP, 00779, PART NUMBER; DATE CODE AND MILITARY PART NO. TO BE MARKED IN THIS APPROX AREA.
- ② HOUSING: GLASS FILLED POLYESTER COLOR - BLUE
- ③ CONTACT: BRASS  
FINISH: .000050 GOLD OVER NICKEL IN CONTACT AREA, TIN LEAD OVER NICKEL ON CONTACT TAILS.
- ④ GASKET: SILICONE RUBBER.
- ⑤ MIL-C-55302 GROUP A INSPECTION REQUIRED.
- ⑥ NUMBERS INDICATING EVERY FIVE CAVITIES MARKED ON SIDE, NUMBERS INDICATING END CAVITIES MARKED ON MATING FACE
- ⑦ KEY POSITION IDENTIFICATION MOLDED ON SURFACE SHOWN.
- ⑧ OBS PART NO.

M55302/110-35	1 - 71	7.565	6.900	69	7.565	7.855	140	1-531722-3
	-34	7.265	6.600	66	7.265	7.555	134	1-2
	-33	7.065	6.400	64	7.065	7.355	130	1-1
	-32	6.565	5.900	59	6.565	6.855	120	1-0
	-27	6.065	5.400	54	6.065	6.355	110	-9
	-26	5.565	4.900	49	5.565	5.855	100	-8
	-25	5.065	4.400	44	5.065	5.355	90	-7
	-24	4.565	3.900	39	4.565	4.855	80	-6
	-23	4.065	3.400	34	4.065	4.355	70	-5
	-22	3.565	2.900	29	3.565	3.855	60	-4
	-21	3.065	2.400	24	3.065	3.355	50	-3
	-20	2.565	1.900	19	2.565	2.855	40	-2
M55302/110-19	1 - 16	2.065	1.400	14	2.065	2.355	30	531722-1
MILITARY PART NUMBER	CONTACT IDENT NO.	E	D	C	B	A	NO. OF POSITION	PART NO

UNLESS OTHERWISE SPECIFIED DIMENSIONS ARE IN INCHES. TOLERANCES ON: DECIMALS ±.005 ANGLES ±	CONTRACT NO		AMP   AMP INCORPORATED Harrisburg, Pa. 17105	
	DR <i>M. Smith</i> 10-29-81		NAME BOX CONNECTOR, PIN ASSY, RIGHT ANGLE, 100I SERIES, W/GASKET	
	CHK <i>W. Pritchard Jr</i> 12-16-81		SIZE C	FSCM NO 00779
	APPD <i>W. Pritchard Jr</i> 12-16-81		DRAWING NO 531722	REV J
MATERIAL		APPD <i>E.T. Parsons</i> 12-22-81	SCALE 4:1	SHEET 2 of 2
FINISH ③		DSGN APPD		
		OTHER APPD		

531722