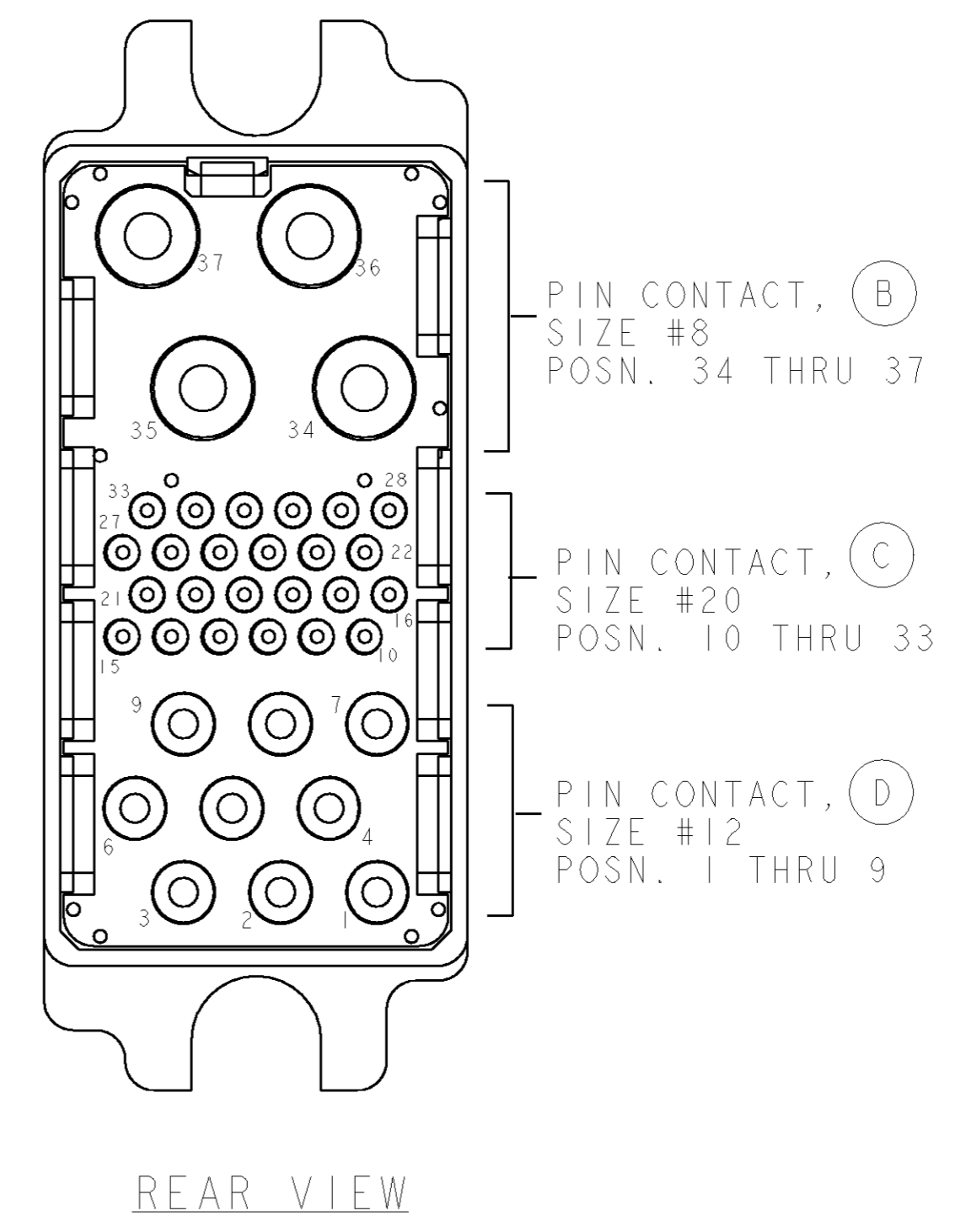
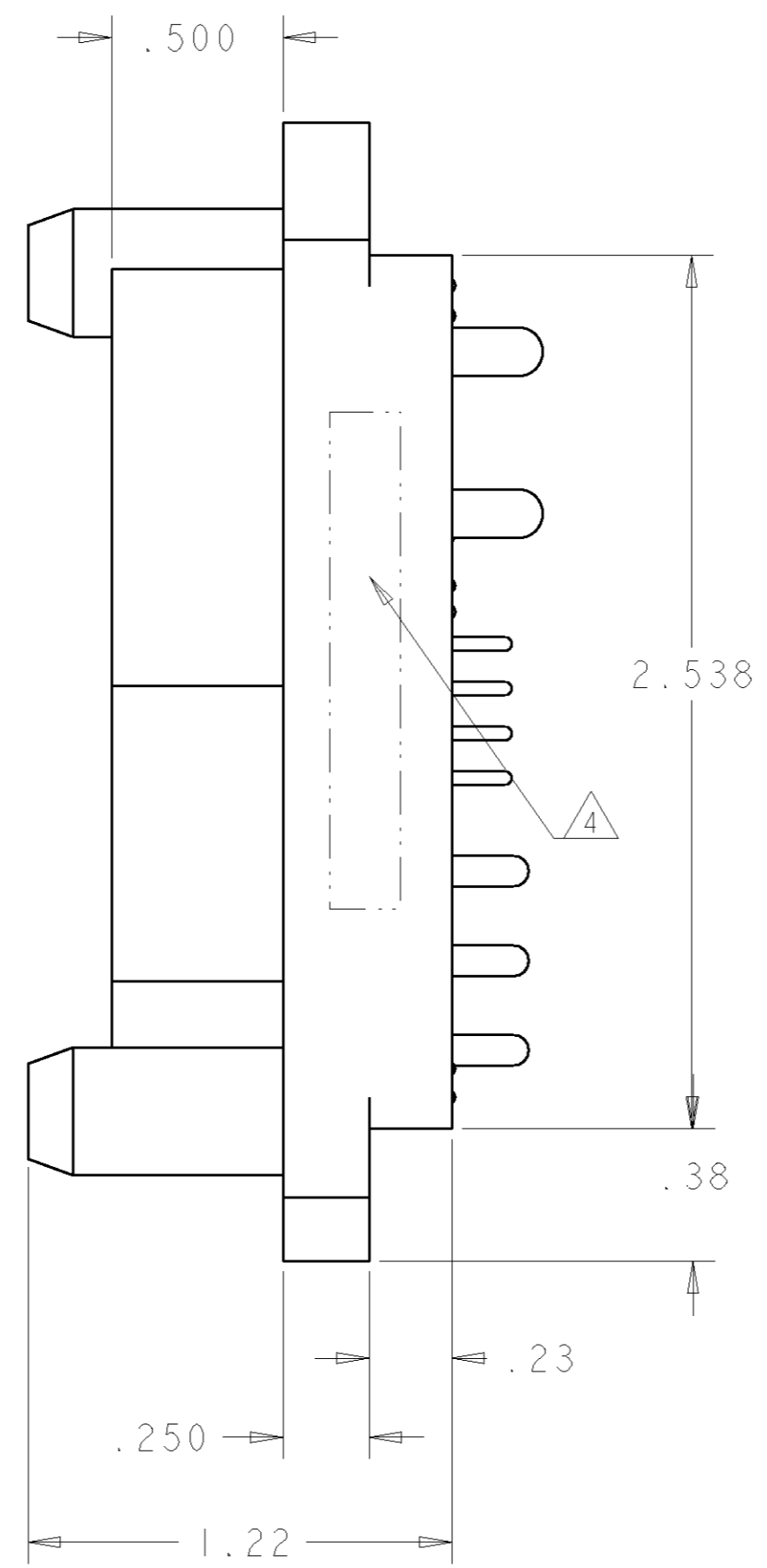
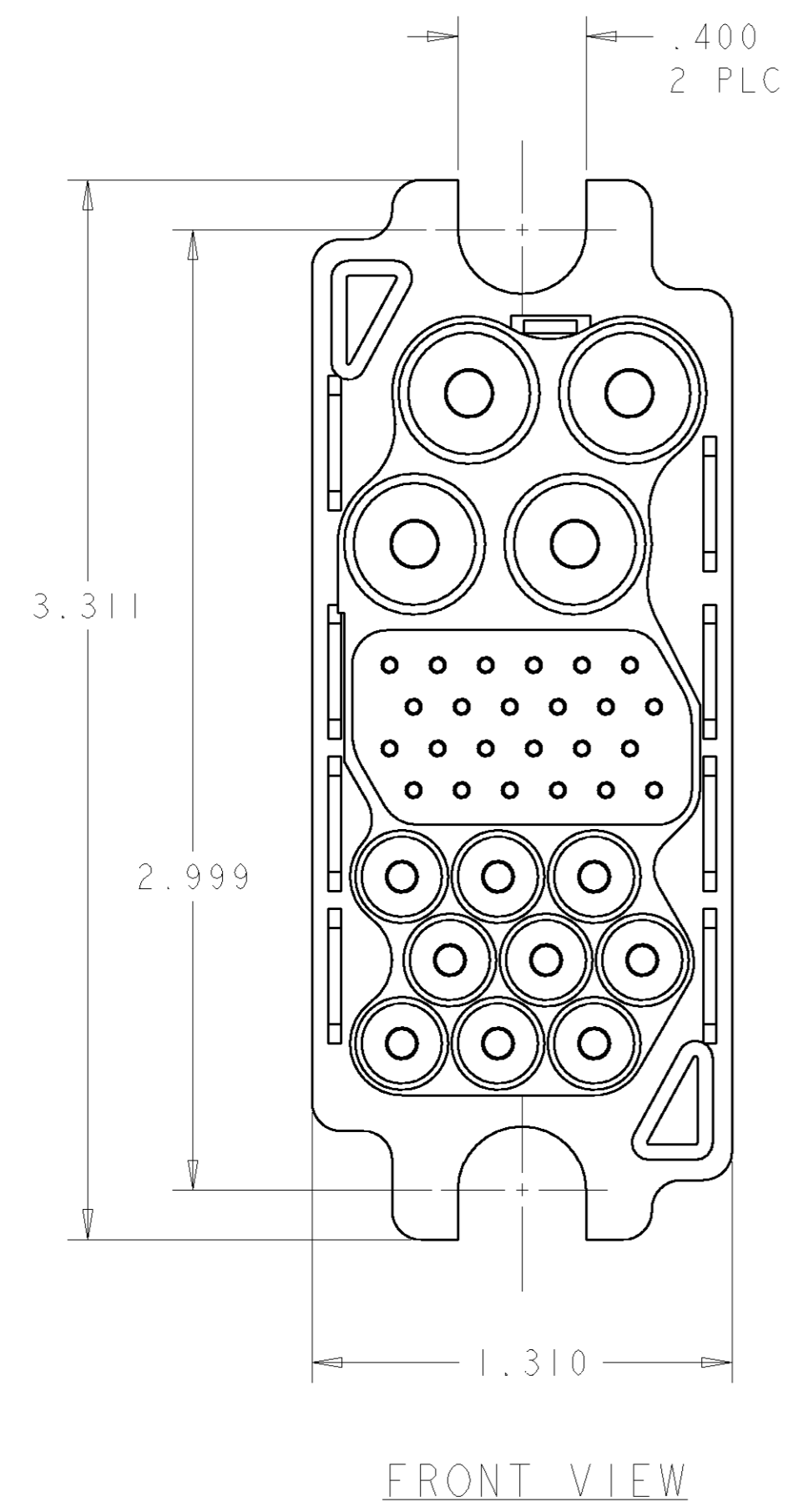


THIS DRAWING IS UNPUBLISHED. RELEASED FOR PUBLICATION 20
 © COPYRIGHT 20 BY TYCO ELECTRONICS CORPORATION. ALL RIGHTS RESERVED.

LOC	DIST	REVISIONS			
P	LTR	DESCRIPTION	DATE	DWN	APVD
GP	00				
	A	RELEASED	13JUL2006	RG	DO
	B	REV PER ECO-07-011934	15MAY2007	JRP	PD



ELCON 75A MIDDLE DRAWER

AMP 1471-9 REV 31MAR2000

AS SHOWN	1926171-1
DESCRIPTION	PART NUMBER

<small>THIS DRAWING IS A CONTROLLED DOCUMENT FOR TYCO ELECTRONICS CORPORATION. IT IS SUBJECT TO CHANGE AND THE CONTROLLING ENGINEERING ORGANIZATION SHOULD BE CONTACTED FOR THE LATEST REVISION.</small>		DWN R. GRZYBOWSKI 13JULY06 CHK D. ORRIS 13JULY06 APVD S. FLICKINGER 13JULY06	tyco Tyco Electronics Harrisburg, PA 17105-3608 Electronics
DIMENSIONS: INCHES 	TOLERANCES UNLESS OTHERWISE SPECIFIED: 0 PLC ± 1 PLC ± 2 PLC ±.02 3 PLC ±.010 4 PLC ±0.0005 ANGLES ±.5	PRODUCT SPEC - APPLICATION SPEC - WEIGHT -	NAME CONNECTOR, PIN PCB TAIL 75 AMP MIDDLE DRAWER SIZE A2 CAGE CODE 00779 DRAWING NO. 1926171 RESTRICTED TO -
MATERIAL -	FINISH -	CUSTOMER DRAWING	SCALE 4:1 SHEET 1 OF 2 REV B

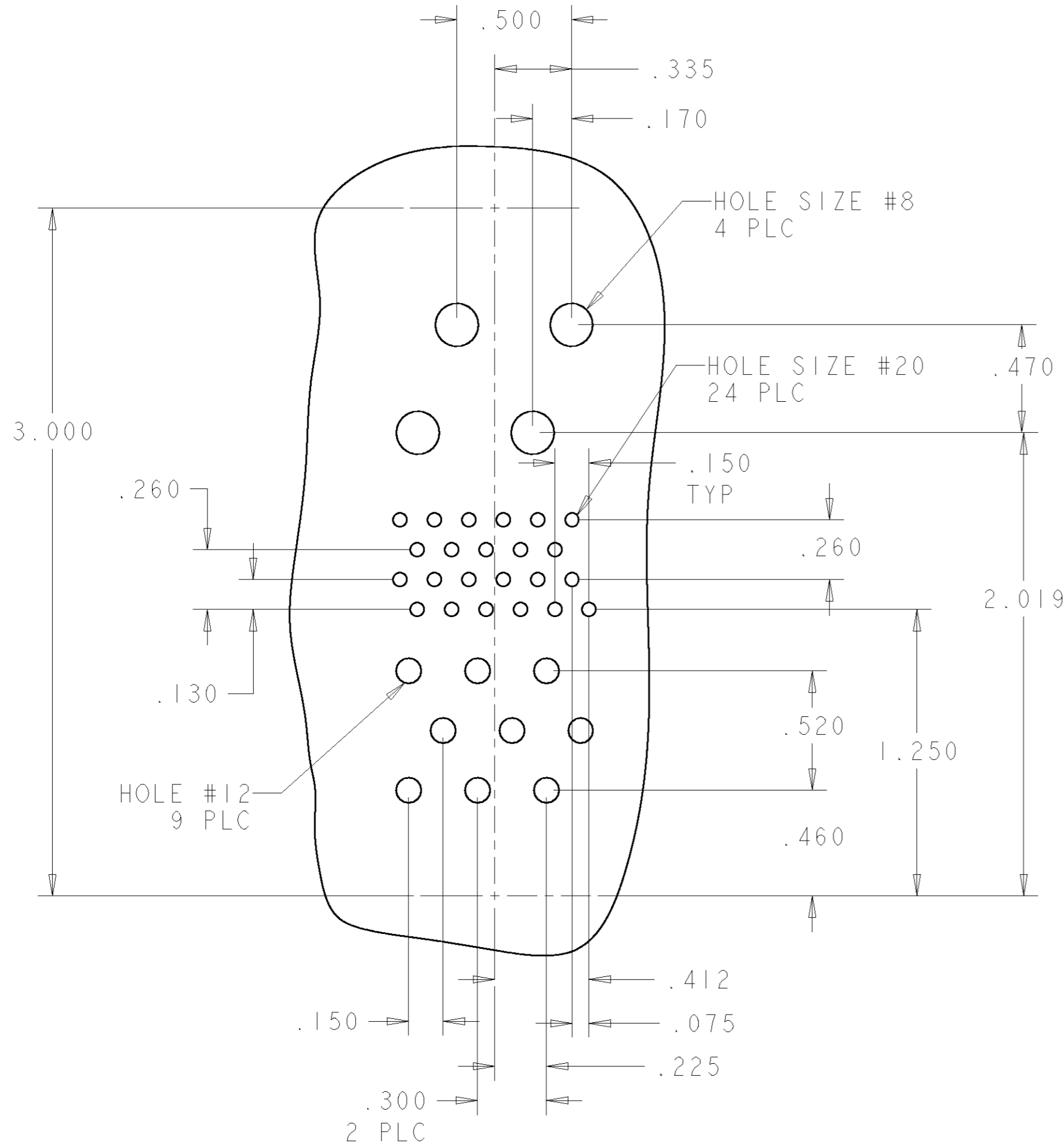
4

3

2

1

LOC	DIST	REVISIONS					
GP	00	F	LTR	DESCRIPTION	DATE	DWN	APVD
		-	-	SEE SHEET 1	-	-	-



1. PART NUMBER CHANGES AND OR DESIGN CHANGES AFFECTING THE INTERCHANGEABILITY REQUIRE PRIOR TYCO APPROVAL AND AUTHORIZATION BY REVISION TO THIS DRAWING.
2. MATERIAL:
 INSULATOR: THERMOPLASTIC, GLASS REINFORCED, UL 94V-0
 FLAMMABILITY RATED, COLOR: BLACK
 CONTACT: BRASS ROD ALLOY
 RETENTION CLIP: COPPER ALLOY
3. FINISH:
 CONTACTS SIZE #8 : .000200 MIN THK. SILVER OVER
 .000040 MIN NICKEL
 CONTACTS SIZE #12 : .000200 MIN THK. SILVER OVER
 .000040 MIN NICKEL
 CONTACTS SIZE #20 : .000030 MIN GOLD OVER
 .000040 MIN NICKEL

△ ITEMS PROVIDED TO THIS SPECIFICATION TO BE PERMANENTLY IDENTIFIED PER THE FOLLOWING IDENTIFIER:

YEAR WEEK

TYCO PART NUMBER DATE CODE (e.g. 0216)

XXXXXX-X XXXX

△ PCB TAIL CONTACTS (ITEMS B THRU D) ARE INSERTABLE/ NON-REMOVABLE LOCATED AS SHOWN:
 SIZE #8 - POSN 34 THRU 37
 SIZE #12 - POSN 1 THRU 9
 SIZE #20 - POSN 10 THRU 33

PRINTED CIRCUIT BOARD LAYOUT
 VIEW FROM CONNECTOR MOUNTING SIDE

HOLE SIZE #8
 FINISHED HOLE: $\phi .152 \pm .003$
 DRILLED HOLE: $\phi .1540 \pm .0005$
 COPPER PLATE: .0010 MIN
 TIN PLATE: .0002 MIN THK.

HOLE SIZE #12
 FINISHED HOLE: $\phi .104 \pm .003$
 DRILLED HOLE: $\phi .1065 \pm .0005$
 COPPER PLATE: .0010 MIN
 TIN PLATE: .0002 MIN THK.

HOLE SIZE #20
 FINISHED HOLE: $\phi .047 \pm .003$
 DRILLED HOLE: $\phi .0453 \pm .0005$
 COPPER PLATE: .0010 MIN
 TIN PLATE: .0002 MIN THK.

ELCON **75A MIDDLE DRAWER**

△5	D	9	1766245-1	CONTACT, PIN, SIZE #12, PCB TAIL, STD
△5	C	24	1650283-1	CONTACT, PIN, SIZE #20, PCB TAIL, STD
△5	B	4	1766262-1	CONTACT, PIN, SIZE #8, PCB TAIL, STD
	A	1	1648163-2	HOUSING, PIN, FLUSH MOUNT
ITEM	-1	PART NUMBER		DESCRIPTION

THIS DRAWING IS A CONTROLLED DOCUMENT FOR TYCO ELECTRONICS CORPORATION IT IS SUBJECT TO CHANGE AND THE CONTROLLING ENGINEERING ORGANIZATION SHOULD BE CONTACTED FOR THE LATEST REVISION.		DWN R.GRZYBOWSKI 13JULY06	tyco Electronics Tyco Electronics Harrisburg, PA 17105-3608
DIMENSIONS: INCHES		CHK D.ORRIS 13JULY06	
TOLERANCES UNLESS OTHERWISE SPECIFIED: 0 PLC ± 1 PLC ± 2 PLC ±.02 3 PLC ±.010 4 PLC ±0.0005 ANGLES ±.5		APVD S.FLICKINGER 13JULY06	NAME
		PRODUCT SPEC	CONNECTOR, PIN PCB TAIL 75 AMP MIDDLE DRAWER
MATERIAL	FINISH	APPLICATION SPEC	SIZE
-	-	-	A200779C-1926171
CUSTOMER DRAWING			RESTRICTED TO
SCALE 4:1			SHEET 2 OF 2 REV B