

4850, 3-pole, Socket, PCB terminals, DIN Plug/Socket



Description

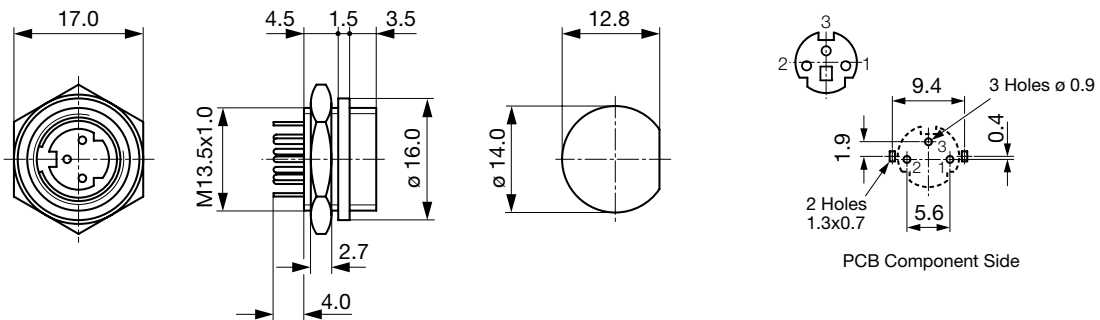
- PCB Mounting :
Screw-on mounting , from rear-side
- DIN Plug: 3-pole , straight

Technical Data

Diameter	9.0 mm	Allowable Operation Temperature	-20°C to 70°C
Number of Poles	3-pole	Terminal	PCB terminals silver plated
Ratings DC	1 A / 12 VDC	Mounting	Screw-on mounting max. 2.0mm
Ratings AC	1 A / 100 VAC	Lifetime	5000 Insertions
Dielectric Strength	250 VAC		
Insulation Resistance	> 50 MΩ @ 250 VDC		

Detailed information on product approvals, code requirements, usage instructions and detailed test conditions can be looked up in [General Product Information](#)

Dimensions



All Variants

Product group	Diameter [mm]	Number of Poles	Terminal	Order Number
DIN Plug/Socket	9.0	3-pole	PCB terminals	4850.2300

Availability for all products can be searched real-time: <http://www.schurter.com/en/Stock-Check/Stock-Check-SCHURTER>

Packaging unit 250 Pcs

Mating Inlets/Plugs

Category / Description



[DIN Plug/Socket Overview complete](#)

4850, 3-pole, Plug, solder terminal, DIN Plug/Socket

4850.1310

[DIN Plug/Socket further types to 4850.2300](#)