

Metal Switch Medium Stroke, Switching Voltage up to 36 VDC



MCS ES 18

See below:

**Approvals and Compliances**

**Description**

- Vandal-proof momentary switch with a diameter of 18 mm
- Assembly by mounting with nut
- Clip for Pins

**Characteristics**

- Housing and actuator material: high-quality stainless steel
- Rugged design, protection against vandalism
- For use in harsh environments, both indoors and outdoors (see technical data)

**Weblinks**

[html-datasheet](#), [General Product Information](#), [CAD-Drawings](#), [Product News](#), [Detailed request for product](#)

**Technical Data**

**Electrical Data**

**Contact Material Silver**

Switching Voltage	min. 3 VAC/VDC max. 36 VDC / 220 VAC
Switching Current	min. 5 mA AC/DC max. 2 A DC / 0.5 A AC
Rated Switching Capacity	72 W (DC) , 110 W (AC)
Lifetime	200'000 actuations (36 VDC) 50'000 actuations (220 VAC)
Contact Resistance	< 50 mΩ
Insulation Resistance	> 1'000 MΩ
Duration of Bounce	< 10 ms

**Mechanical Data**

Actuating Force	4 N
Actuating Travel	1.8 mm,
Lifetime	1 million actuations
Shock Protection	IK 09 ,
Tightening Torque	0.8 Nm

**Climatical Data**

Operating Temperature	-20 to +55 °C
Storage Temperature	-20 to +55 °C
IP-Protection	IP 65 from front side, ,

**Material**

Contact Material	Ag
Housings	Stainless Steel
Actuator unlettered	Stainless Steel

**Approvals and Compliances**

Detailed information on product approvals, code requirements, usage instructions and detailed test conditions can be looked up in [Details about Approvals](#)

**Product standards**

Product standards that are referenced

Organization	Design	Standard	Description
	Designed according to	EN 50102	Switches for appliances. Part 1. General requirements



**Application standards**

Application standards where the product can be used

Organization	Design	Standard	Description
	Designed for applications acc.	IEC/UL 60950	IEC 60950-1 includes the basic requirements for the safety of information technology equipment.

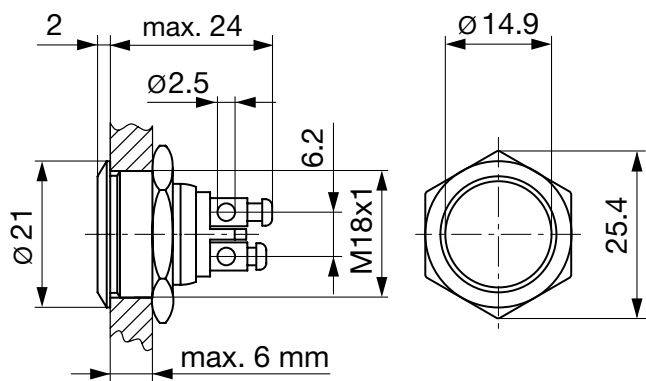
## Compliances

The product complies with following Guide Lines

Identification	Details	Initiator	Description
	RoHS	SCHURTER AG	EU Directive RoHS 2011/65/EU
	REACH	SCHURTER AG	On 1 June 2007, Regulation (EC) No 1907/2006 on the Registration, Evaluation, Authorization and Restriction of Chemicals 1 (abbreviated as "REACH") entered into force.

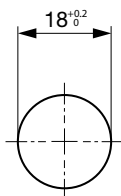
## Dimension [mm]

MCS ES 18



## Dimension

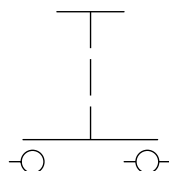
MCS ES 18



Drilling diagram

## Diagrams

MCS ES 18



**All Variants**

Switching Current	Switching Voltage	Contact Material	Shock Protection	Torsion Protection	IP Protection Class Front Side	Config. Code	Order Number
[A]	[VAC/VDC]						
2 A DC	36 VDC	Ag	IK 09	no	IP 65	MCS ES 18	1301.9560

Nut with gasket are enclosed in the box.

Most Popular.

Availability for all products can be searched real-time: <https://www.schurter.com/en/Stock-Check/Stock-Check-SCHURTER>

**Packaging unit** 40 in cardboard box



- Actuating elements in ESD safe packaging
- Screw nuts and sealing rings in a bag (enclosed in the box)
- Micro switches (enclosed in the box)