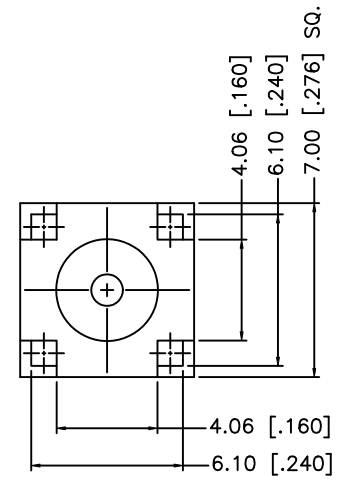
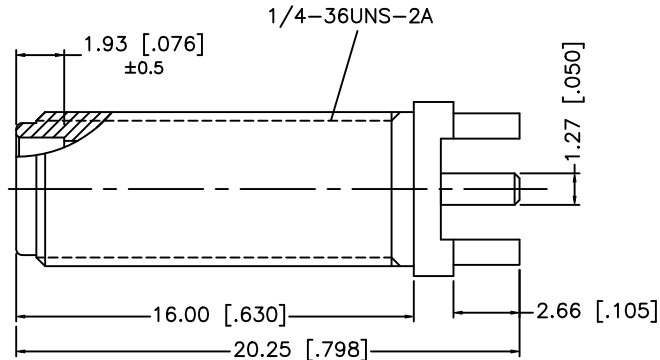
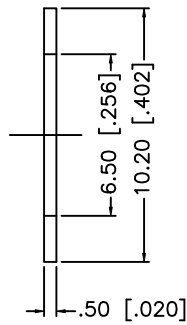
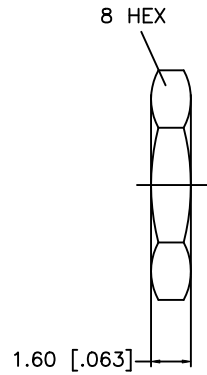
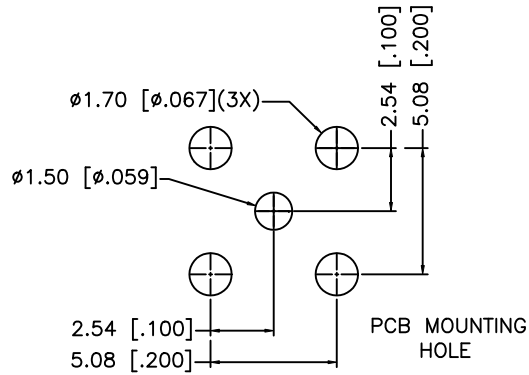


REV.	DATE	ECR NO.	DESCRIPTION
NC	12/12/05	-	INITIAL RELEASE
A	10/14/08	-	REVISE OVERALL LENGTH TO 20.25



NOTE:

1. MAX. PANEL THICKNESS = 7.5mm

REV.	DATE	ECR NO.	DESCRIPTION
8			
7			
6			
5	HEX NUT	BRASS	GOLD 1
4	LOCK WASHER	BRASS	GOLD 1
3	CONTACT PIN	BER. COPPER	GOLD 1
2	INSULATOR	PTFE	NATURAL 1
1	BODY	BRASS	GOLD 1
	DESCRIPTION	MATERIAL	FINISH QTY

UNLESS OTHERWISE SPECIFIED DIMENSIONS ARE IN MILLIMETERS. DIMENSIONS IN [] ARE IN INCHES AND FOR CUSTOMER REFERENCE ONLY.				APPROVALS	DATE	<h1 style="color: blue; text-align: center;">Amphenol Connex</h1>
UNLESS OTHERWISE SPECIFIED TOLERANCES FOR MILLIMETERS ARE: 0.5 - 8mm ± 0.20 mm 8 - 30mm ± 0.40 mm 30 - 120mm ± 0.50 mm				DRAWN GRS	10/14/08	
UNLESS OTHERWISE SPECIFIED TOLERANCES FOR INCHES ARE: .020 - .315 = ± 0.007 " .315 - 1.180 = ± 0.015 " 1.180 - 4.724 = ± 0.020 "				CHECKED		
DO NOT SCALE DRAWING				ISSUED		
				SHEET 1 OF 1		
				CAD FILE	C:/132/132291-12.DWG	PART DESCRIPTION
						SMA BULKHEAD P.C. MOUNT JACK
						PART NO.
						132291-12
				DWG. NO.	132291-12.DWG	REV. A
						SIZE A
						SCALE NA