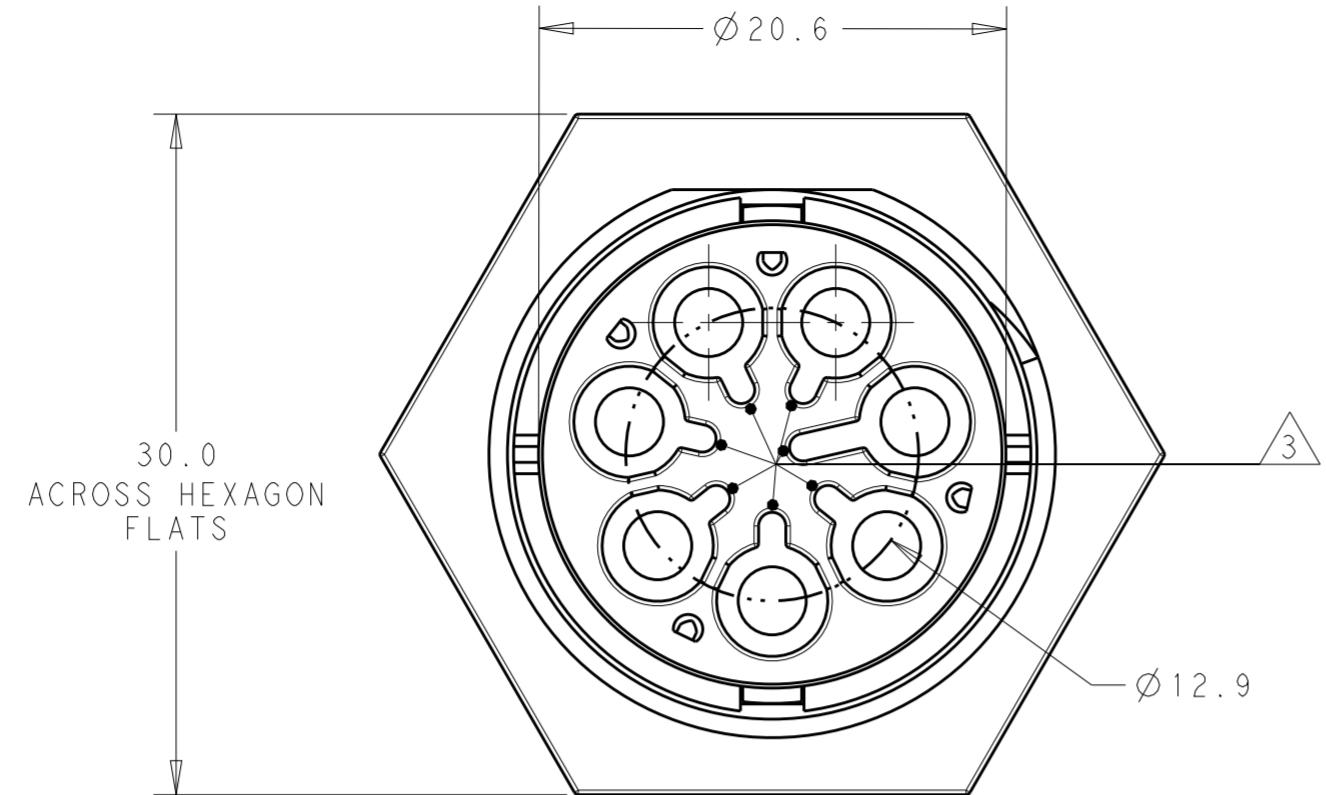


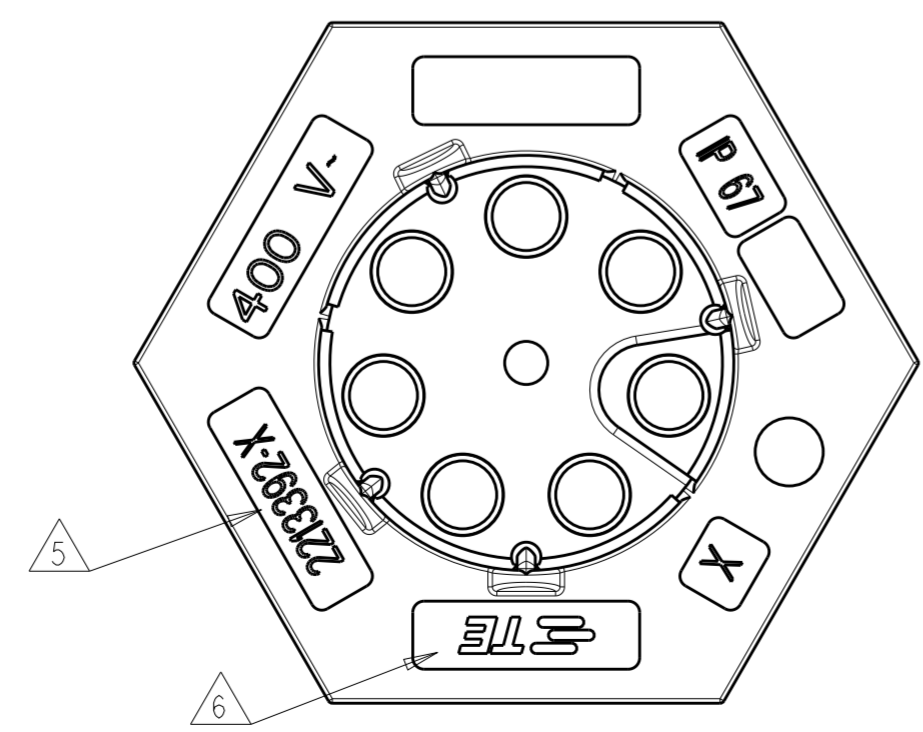
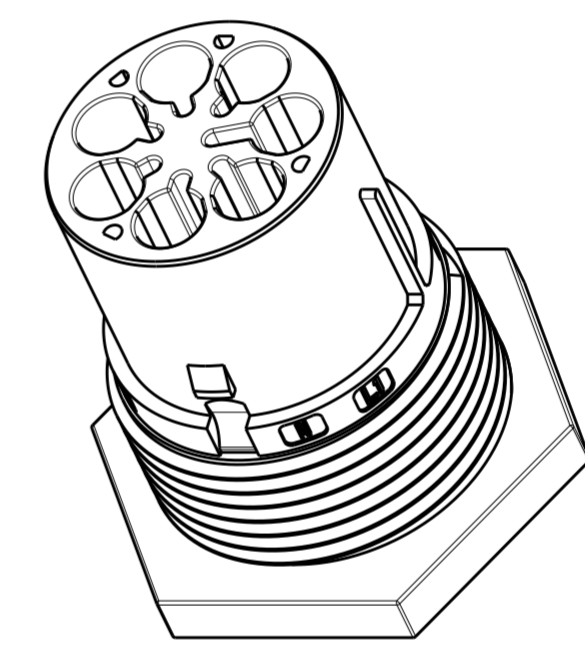
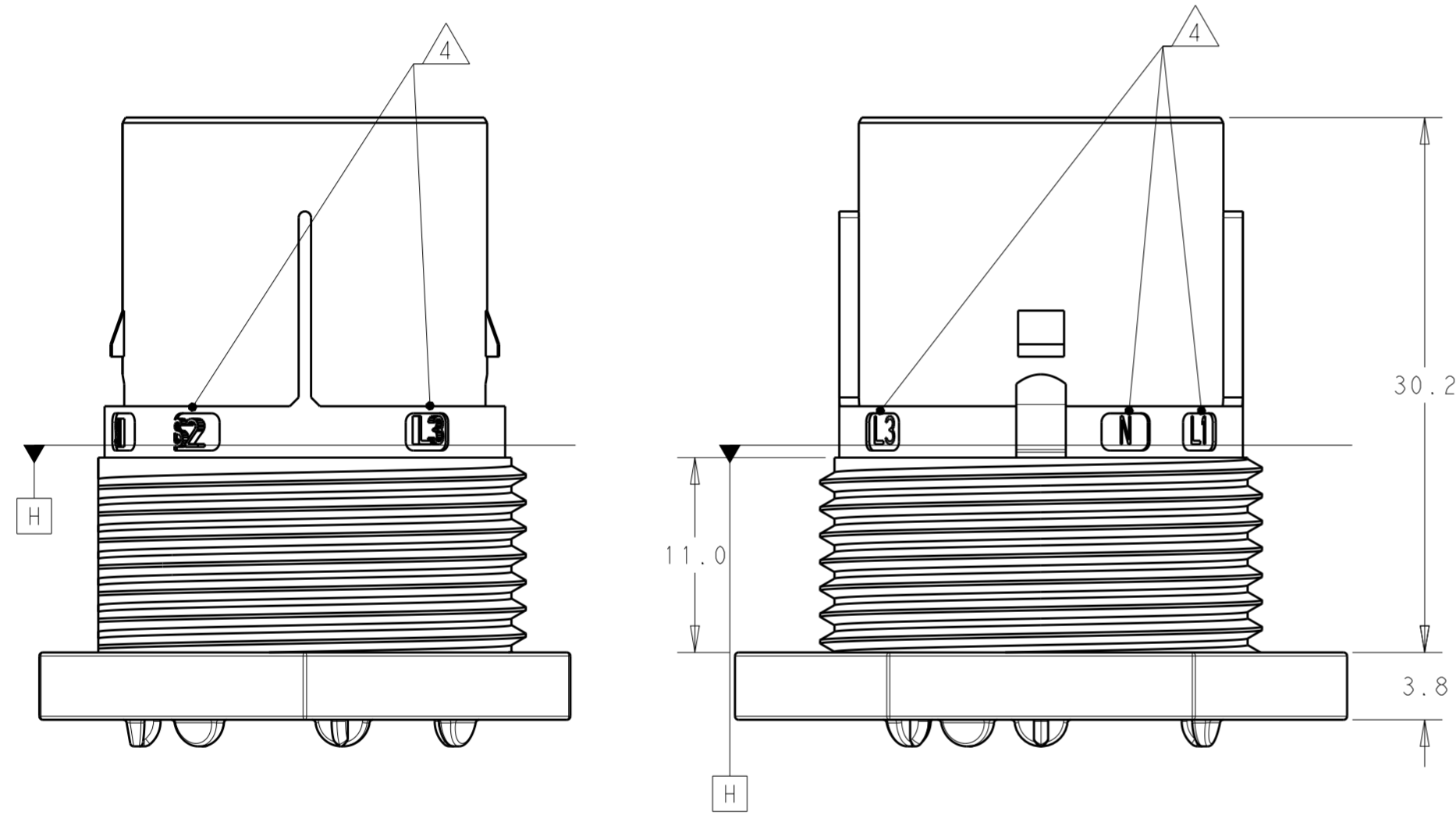
THIS DRAWING IS UNPUBLISHED. RELEASED FOR PUBLICATION 20
 © COPYRIGHT 20 BY - ALL RIGHTS RESERVED.

REVISIONS				
P	LTR	DESCRIPTION	DATE	APVD
A		REVISED AS PER ECR-15-005925	21APR2015	RS JL



NOTES:

- MATERIAL: GLASS FILLED PBT, COLOR: BLACK
- MUST COMPLY WITH DIRECTIVE 2002/95/EC (ROHS)
- ALL POLARIZATION KEYS SHOWN FOR REF ONLY.
- CIRCUIT I.D.
- TE PART NUMBER.
- TE LOGO
- THIS PRODUCT HAS NOT COMPLETED VALIDATION TESTING



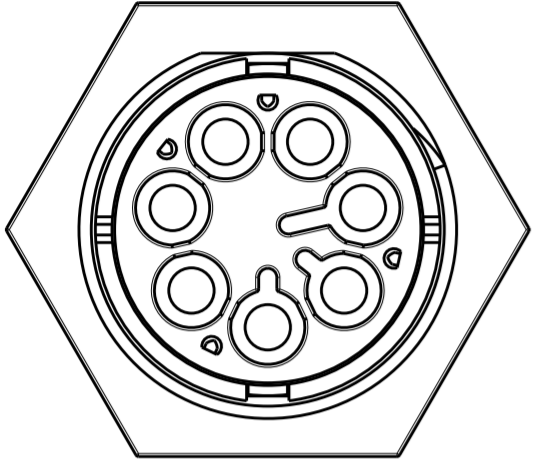
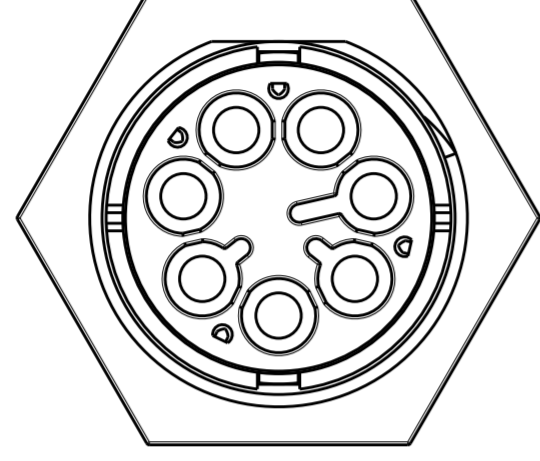
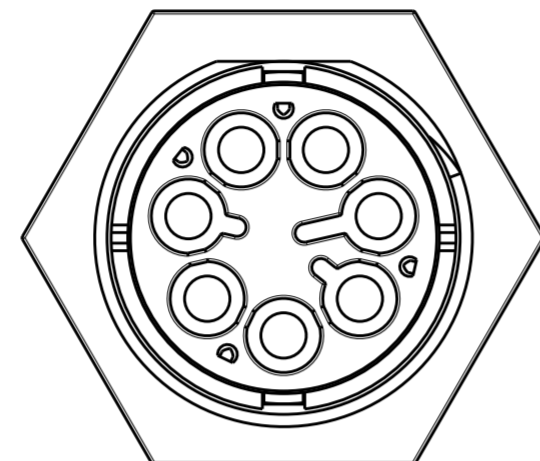
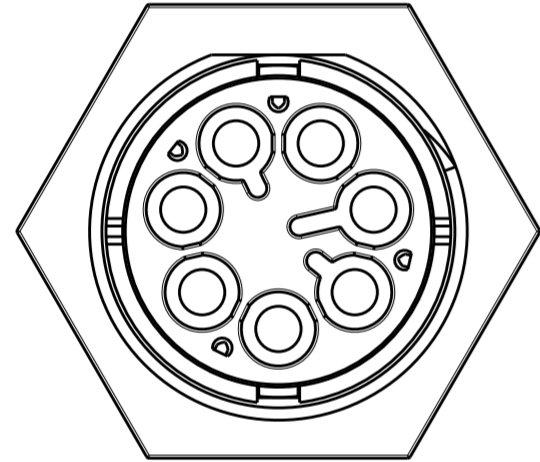
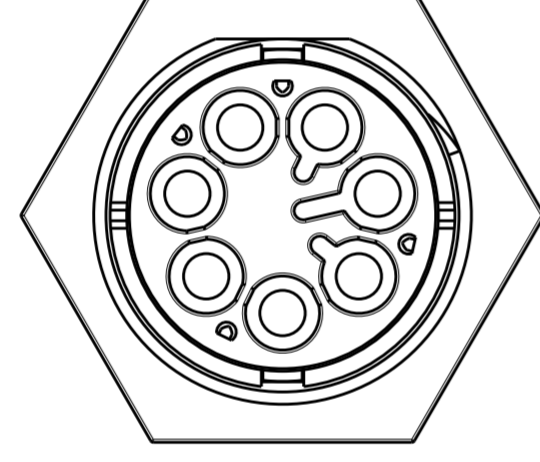
E	PANEL MT PIN. SEALED NECTOR M, 7 POLE	2213392-5
D	PANEL MT PIN. SEALED NECTOR M, 7 POLE	2213392-4
C	PANEL MT PIN. SEALED NECTOR M, 7 POLE	2213392-3
B	PANEL MT PIN. SEALED NECTOR M, 7 POLE	2213392-2
A	PANEL MT PIN. SEALED NECTOR M, 7 POLE	2213392-1
POLARIZATION TYPE		DESCRIPTION
		PART NUMBER

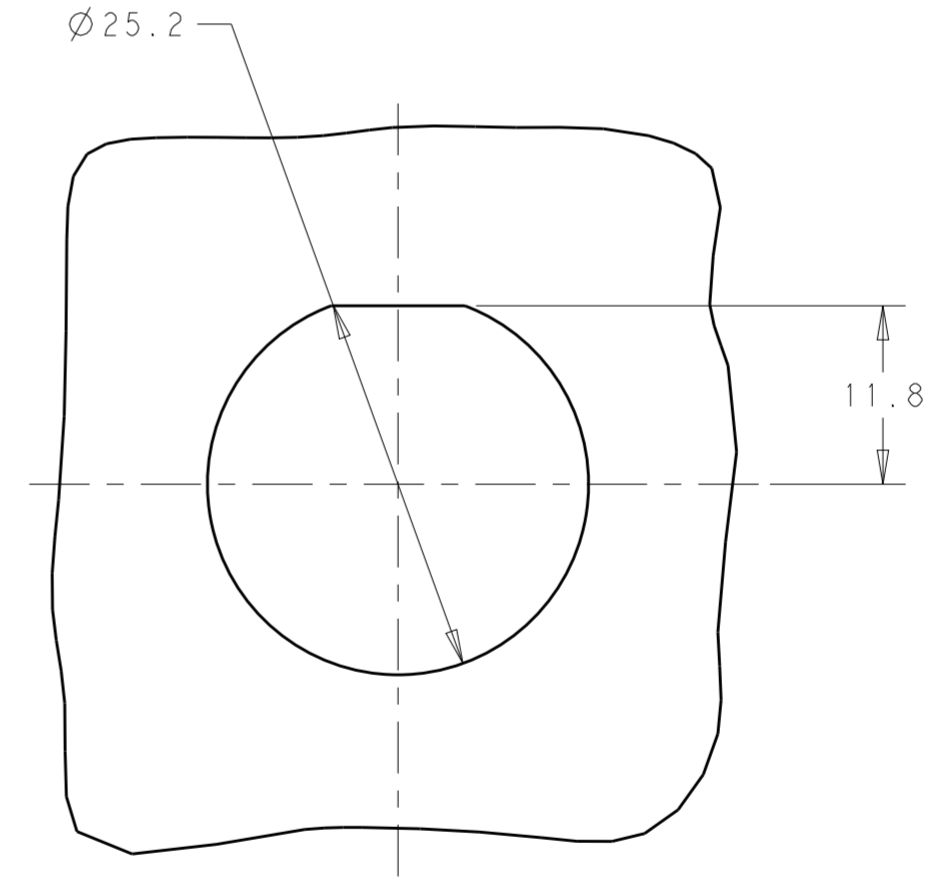
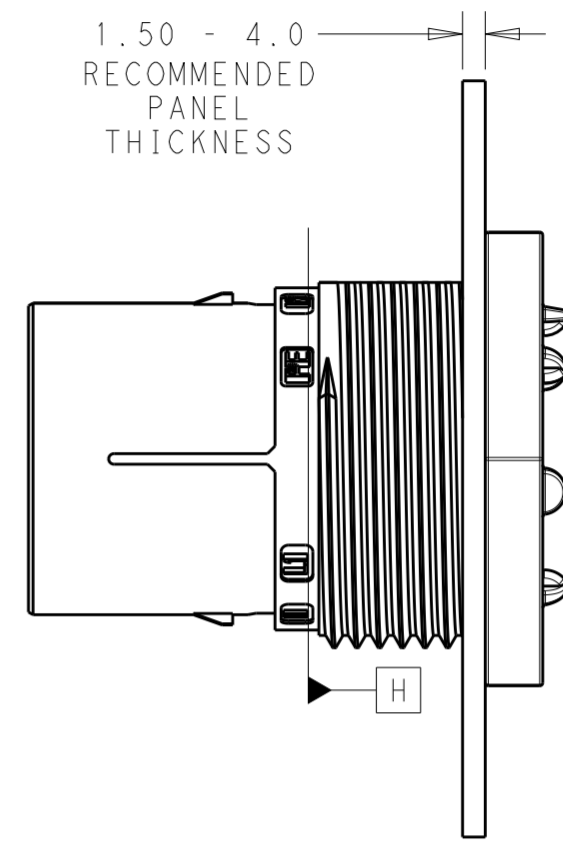
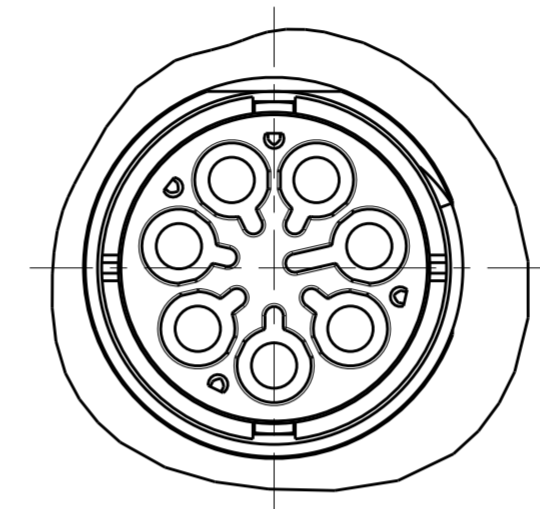
THIS DRAWING IS A CONTROLLED DOCUMENT.		DWN J. SHAFFER 21 JAN 2014	STE TE Connectivity	
		CHK M. LUKSIC 21 JAN 2014		
		APVD M. LUKSIC 21 JAN 2014	NAME PANEL MOUNT, PIN; SEALED NECTOR M-LINE; 7 POLE	
DIMENSIONS: mm		PRODUCT SPEC 108-133014	SIZE A2	
TOLERANCES UNLESS OTHERWISE SPECIFIED:		APPLICATION SPEC 114-32111	CAGE CODE -	
0 PLC ±		WEIGHT -	DRAWING NO. C-2213392	
1 PLC ±0.2		RESTRICTED TO -		
2 PLC ±0.13		SCALE 2:1		
3 PLC ±		SHEET 1 OF 2		
4 PLC ±		REV A		
ANGLES ±		Customer Drawing		
FINISH -				
NOTE 1				

THIS DRAWING IS UNPUBLISHED. RELEASED FOR PUBLICATION 20
 © COPYRIGHT 20 BY - ALL RIGHTS RESERVED.

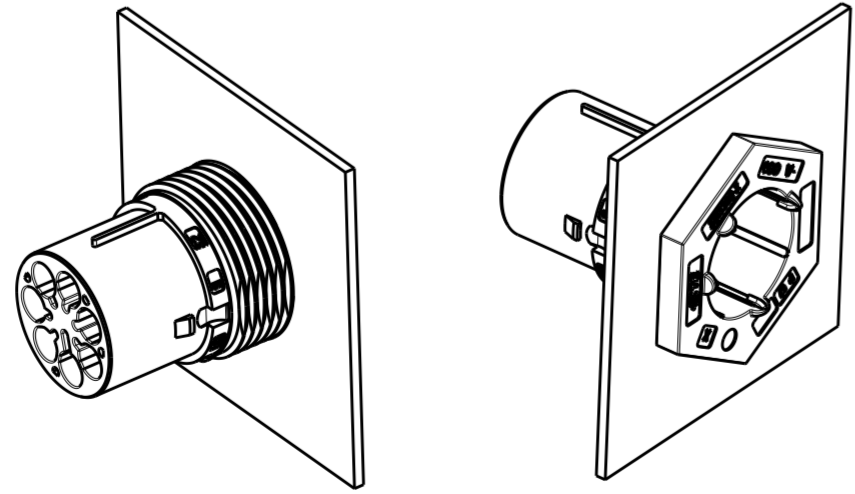
REVISIONS					
P	LTR	DESCRIPTION	DATE	DWN	APVD
-	-	SEE SHEET 1	-	-	-

POLARIZATION TYPES


POLARIZATION TYPE "A"	POLARIZATION TYPE "B"	POLARIZATION TYPE "C"
		
PN: 2213392-1	PN: 2213392-2	PN: 2213392-3
POLARIZATION TYPE "D"	POLARIZATION TYPE "E"	
		
PN: 2213392-4	PN: 2213392-5	



RECOMMENDED
PANEL CUTOUT



3D VIEWS
FOR REFERENCE ONLY

THIS DRAWING IS A CONTROLLED DOCUMENT.		DWN J. SHAEFFER 21 JAN 2014	 TE Connectivity	
DIMENSIONS: mm		CHK M. LUKSIC 21 JAN 2014		
TOLERANCES UNLESS OTHERWISE SPECIFIED:		APVD M. LUKSIC 21 JAN 2014	NAME PANEL MOUNT, PIN; SEALED NECTOR M-LINE; 7 POLE	
0 PLC ± 1 PLC ±0.2 2 PLC ±0.13 3 PLC ± 4 PLC ± ANGLES ± FINISH -		PRODUCT SPEC 108-133014	RESTRICTED TO	
MATERIAL NOTE 1		APPLICATION SPEC 114-32111	SIZE A2	CAGE CODE -
		WEIGHT -	DRAWING NO G-2213392	
		Customer Drawing	SCALE 2:1	SHEET 2 OF 2
			REV A	