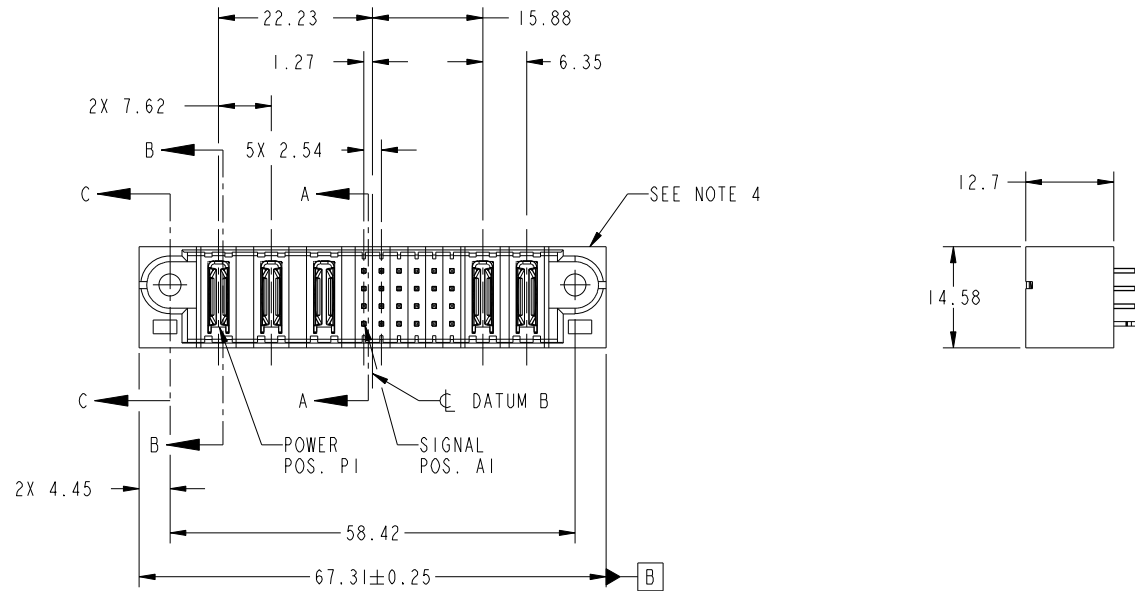


Tous droits strictement reserves. Reproduction ou communication a des tiers interdite sous quelque forme que ce soit sans autorisation écrite du propriétaire. Propriete de c FCI. Droits de reproduction FCI.



All rights strictly reserved. Reproduction or issue to third parties in any form whatever is not permitted without written authority from the proprietor. Property of FCI. Copyright FCI.

PRODUCT NO.	ROWS	POWER			SIGNAL						POWER		
		E1	P1	P2	P3	1	2	3	4	5	6	P4	P5
51952-152 NOTE ③	D C B A												



CODE	DIM "M" MATING LENGTH	CONTACT TYPE
PA	[N/A]	POWER
E	[6.86]	SIGNAL
HA	[N/A]	HOLD-DOWN
H	[5.59]	SIGNAL

mat'l code				tolerances unless otherwise specified				CUSTOMER			
ltr	ecn no.	dr	date	linear	0.X ±0.5			COPY		www.fciconnect.com	
A	DG09-0319	WL	10/13/09	angles	0.XX ±0.25			projection		title	
					0.XXX ±0.1					3ACP + 24S + 2P VERTICAL SOLDER HEADER	
				dr	0° ±2°			MIM		product family PwrBlade code	
				enr	WL ZHANG 10/13/09			← MIM →		size 213	
				chr	JEROME CHEN 10/13/09			scale		dwg no 1 of 4	
				appd	PM ZHENG 10/13/09			1:1		sheet	
					JOSEPH HSIA 10/13/09					1 of 4	
sheet index	revision sheet	A	A	A	A	A	A			B	
		1	2	3	4						

product family		PwrBlade		code	
size	dwg no		213		
A	51952-152		sheet		
				1 of 4	
cage code		22526		4	

Pro/E

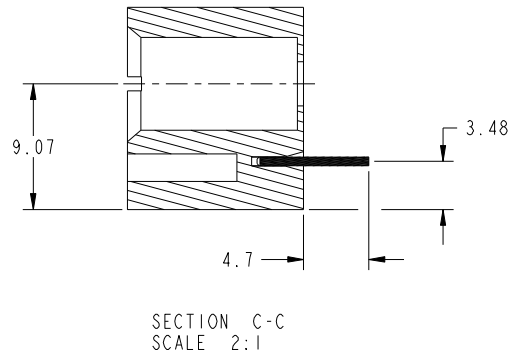
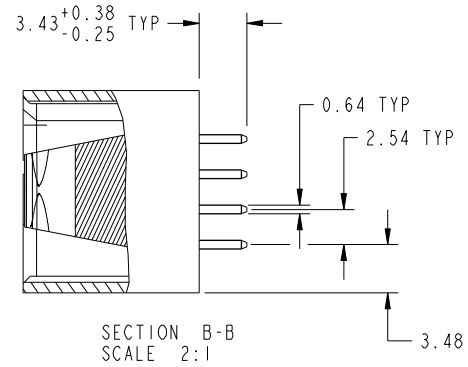
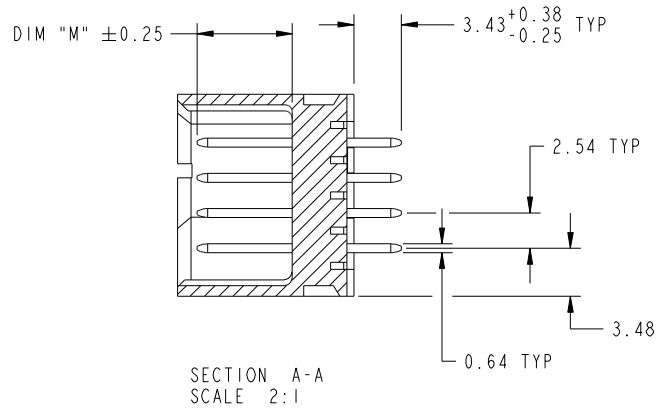
cage code 22526

Tous droits strictement reserves. Reproduction ou communication a des tiers interdite sous quelque forme que ce soit sans autorisation écrite du propriétaire. Propriete de c FCI. Droits de reproduction FCI.

All rights strictly reserved. Reproduction or issue to third parties in any form whatever is not permitted without written authority from the proprietor. Property of FCI. Copyright FCI.



PRODUCT NUMBER
51952-152--
NOTE 3



mat'l code				tolerances unless otherwise specified		CUSTOMER		 www.fciconnect.com	
ltr	ecn no.	dr	date	linear	0.X ±0.5	COPY		title	
A					0.XX ±0.25	projection		3ACP + 24S + 2P VERTICAL SOLDER HEADER	
				angles	0.XXX ±0.1			product family	
				dr	0° ±2°	MIM		PwrBlade	
				enr	WL ZHANG 10/13/09	scale		code	
				chr	JEROME CHEN 10/13/09	1:1		213	
				appd	PM ZHENG 10/13/09	A		sheet	
					JOSEPH HSIA 10/13/09			2 of 4	
sheet index		revision sheet							

cage code 22526

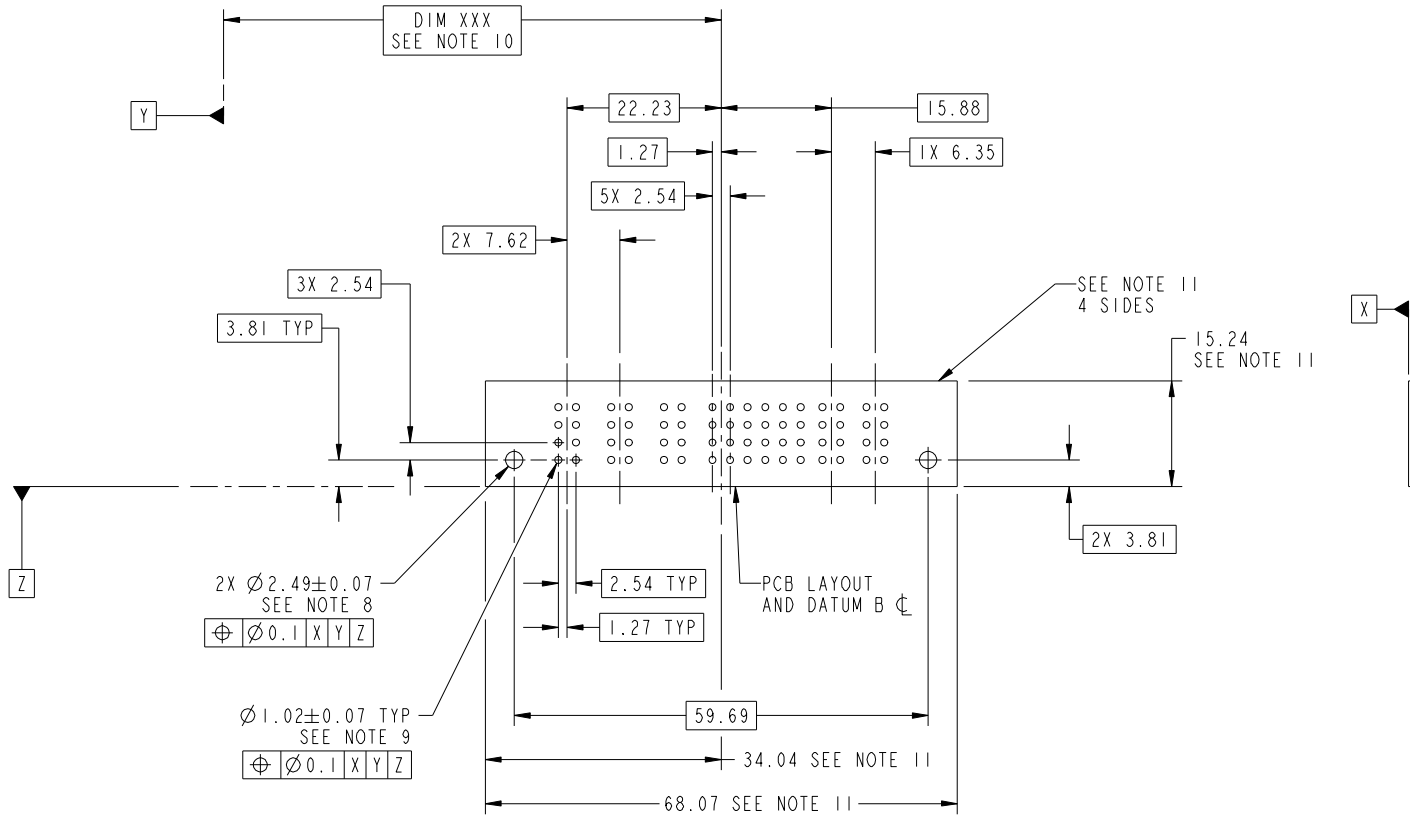
Pro/E

Tous droits strictement reserves. Reproduction ou communication a des tiers interdite sous quelque forme que ce soit sans autorisation écrite du propriétaire. Propriete de c FCI. Droits de reproduction FCI.



All rights strictly reserved. Reproduction or issue to third parties in any form whatever is not permitted without written authority from the proprietor. Property of FCI. Copyright FCI.

PRODUCT NUMBER
51952-152--
NOTE 3



mat'l code				tolerances unless otherwise specified		CUSTOMER		FCI	
ltr	ecn no.	dr	date	linear	0.X ± 0.5	COPY		www.fciconnect.com	
A					0.XX ± 0.25	projection		title	
				angles	0.XXX ± 0.1			3ACP + 24S + 2P VERTICAL SOLDER HEADER	
				dr	0° ± 2°	MIM		product family PwrBlade code	
				enr	WL ZHANG 10/13/09	scale		size	
				chr	JEROME CHEN 10/13/09	1:1		dwg no	
				appd	PM ZHENG 10/13/09			51952-152	
					JOSEPH HSIA 10/13/09			sheet	
sheet index	revision sheet							3 of 4	

Pro/E

cage code 22526

Tous droits strictement reserves. Reproduction ou communication a des tiers interdite sous quelque forme que ce soit sans autorisation écrite du propriétaire. Propriete de c FCI. Droits de reproduction FCI.



All rights strictly reserved. Reproduction or issue to third parties in any form whatever is not permitted without written authority from the proprietor. Property of FCI. Copyright FCI.

PRODUCT NUMBER
51952-152--
NOTE 3

NOTES:

1. DIMENSIONS AND TOLERANCES ARE IN ACCORDANCE WITH ASME Y14.5M, 1994 UNLESS OTHERWISE SPECIFIED.

CONNECTOR NOTES:

- 2 HOUSING MATERIAL: UL 94 V-0 GLASS FILLED HIGH-TEMP THERMOPLASTIC
POWER CONTACT MATERIAL: COPPER ALLOY
SIGNAL PIN MATERIAL: COPPER ALLOY
- 3. PLATING:
SEE ITEM 1 & 2 IN PRINT 10064183 FOR PLATING SPEC OF 51952-152; 51952-152LF PRESPECTIVELY
- 4 MANUFACTURER'S NAME, DATE CODE AND OPTIONAL P/N TO APPEAR ON THIS SURFACE. THE P/N CAN BE OMITTED IF THERE IS NOT ENOUGH SPACE ON THIS SURFACE.
- 5. PRODUCT SPECIFICATION GS-12-149.
APPLICATION SPECIFICATION BUS-20-067.
- 6. PACKAGED IN TRAYS.

PCB NOTES:

- 7. ALL HOLE DIAMETERS ARE FINISHED HOLE SIZE.
- 8. MOUNTING HOLES, WHERE APPLICABLE, ARE UNPLATED.
- 9 $\varnothing 1.151 \pm 0.025$ DRILLED HOLES PLATED WITH
0.008 MIN SnPb OR Sn OVER .001 [0.03]
TO 0.08 Cu PLATING TO ACHIEVE
 $\varnothing 1.02 \pm 0.07$ HOLE.
- 10 "DIM XXX" TO BE DETERMINED BY THE CUSTOMER.
- 11 CONNECTOR KEEP-OUT ZONE.

mat'l code				tolerances unless otherwise specified		CUSTOMER		FCI	
ltr	ecr no.	dr	date	linear	0.X ± 0.5	COPY		www.fciconnect.com	
A				linear	0.XX ± 0.25	projection		title	
				angles	0.XXX ± 0.1			3ACP + 24S + 2P VERTICAL SOLDER HEADER	
				dr	0° ± 2°	MIM		product family PwrBlade code	
				enr	WL ZHANG 10/13/09			size 213	
				chr	JEROME CHEN 10/13/09	scale		dwg no 51952-152 sheet	
				appd	PM ZHENG 10/13/09	1:1		4 of 4	
					JOSEPH HSIA 10/13/09	A			
sheet index	revision sheet								

cage code 22526

Pro/E