

THIS DRAWING IS UNPUBLISHED. RELEASED FOR PUBLICATION
 © COPYRIGHT BY TYCO ELECTRONICS CORPORATION. ALL RIGHTS RESERVED.

LOC	DIST	REVISIONS					
GP	00	P	LTR	DESCRIPTION	DATE	DWN	APVD
			A	NEW RELEASE	08JAN07	RG	DO

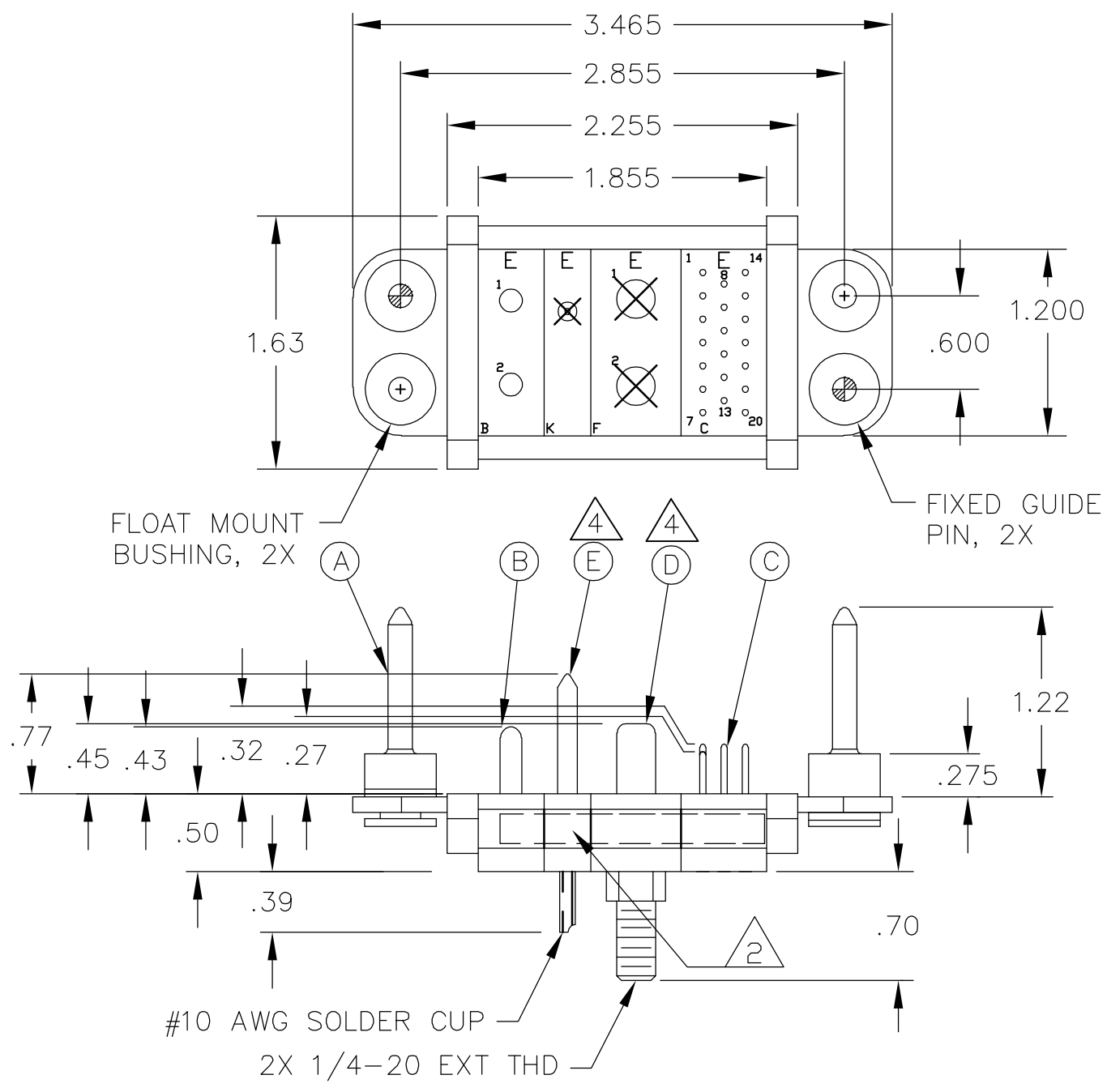
1. PART NUMBER CHANGES AND/OR DESIGN CHANGES AFFECTING ITEM INTERCHANGEABILITY REQUIRE PRIOR TYCO APPROVAL AND AUTHORIZATION BY REVISION TO THIS DRAWING.

2. ITEMS PROVIDED TO THIS SPECIFICATION TO BE PERMANENTLY IDENTIFIED PER THE FOLLOWING IDENTIFIER:

YEAR WEEK
 TYCO PART NUMBER DATE CODE (e.g. 0212)
 XXXXXXXX-X XXXX

3. MODULES NOTED ARE CRIMP REMOVABLE STYLE. REMOVABLE CONTACTS ITEM F, G & H WILL BE PACKAGED AND SHIPPED LOOSE WITH THE CONNECTOR ASSEMBLY.

4. MODULE F & K PIN INSTALLED.

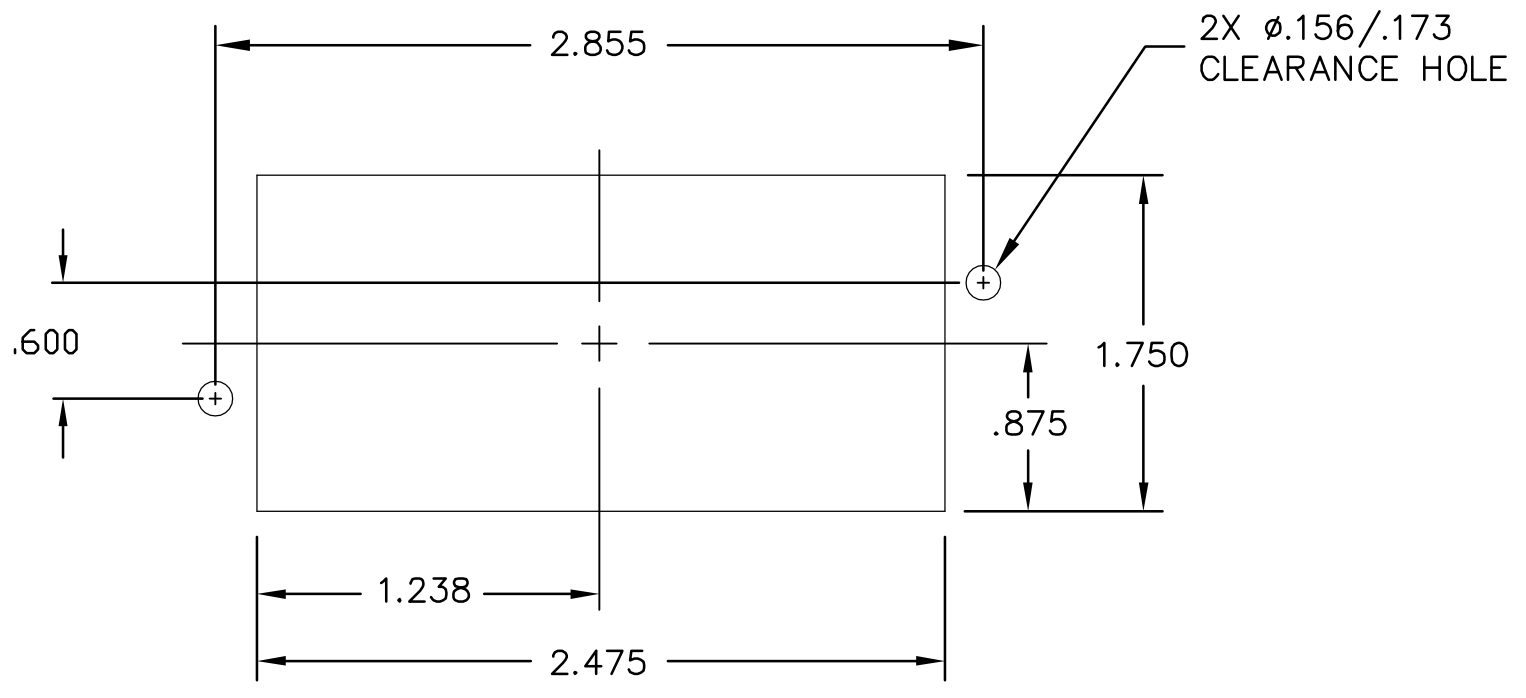


2	1650152-4	PIN CONTACT, SIZE #8, CRIMP	H
7	1650155-1	PIN CONTACT, SIZE #20, CRIMP	G
1	1650162-2	PIN CONTACT, SIZE #20, CRIMP, POSTMATE	F
1	1648507-1	MODULE K	E
1	6648487-1	MODULE F	D
1	1648463-1	MODULE C	C
1	1648462-1	MODULE B	B
2	6648251-1	END CAP, GUIDE PIN, FLOAT	A
-1	PART NUMBER	DESCRIPTION	ITEM

THIS DRAWING IS A CONTROLLED DOCUMENT.		DWN R.GRZYBOWSKI 08JAN2007	Tyco Electronics Corporation Harrisburg, PA 17105-3608	
DIMENSIONS: INCHES		CHK D.ORRIS 08JAN07	NAME S.FLICKINGER 08JAN07	
TOLERANCES UNLESS OTHERWISE SPECIFIED:		PRODUCT SPEC -		
MATERIAL		APPLICATION SPEC -		
FINISH		SIZE A3		
		CAGE CODE 00779		DRAWING NO C-1926354
		RESTRICTED TO -		SCALE 1:1
		SHEET 1 OF 2		REV A
CUSTOMER DRAWING				

THIS DRAWING IS UNPUBLISHED. RELEASED FOR PUBLICATION
 © COPYRIGHT - BY TYCO ELECTRONICS CORPORATION. ALL RIGHTS RESERVED.

LOC	DIST	REVISIONS					
GP	00	P	LTR	DESCRIPTION	DATE	DWN	APVD
				SEE SHEET 1			



SUGGESTED PANEL CUT-OUT

THIS DRAWING IS A CONTROLLED DOCUMENT.		DWN	R.GRZYBOWSKI	08JAN2007	Tyco Electronics Corporation Harrisburg, PA 17105-3608										
DIMENSIONS: INCHES		CHK	D.ORRIS	08JAN07	NAME										
		APVD	S.FLICKINGER	08JAN07	PIN CONNECTOR DOMINO W/PANEL CUT-OUT										
TOLERANCES UNLESS OTHERWISE SPECIFIED:		PRODUCT SPEC	-												
0 PLC ± - 1 PLC ± - 2 PLC ± .02 3 PLC ± .010 4 PLC ± - ANGLES ± 3		APPLICATION SPEC	-												
MATERIAL	-	WEIGHT	-			SIZE	A3	CAGE CODE	00779	DRAWING NO	C=1926354	RESTRICTED TO	-		
CUSTOMER DRAWING										SCALE	1:1	SHEET	2 OF 2	REV	A