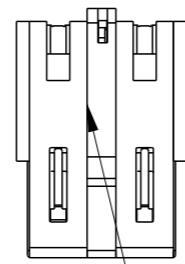
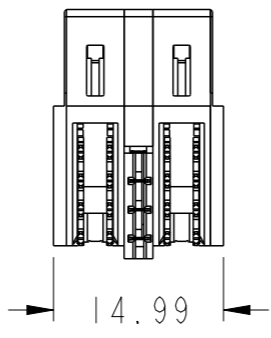
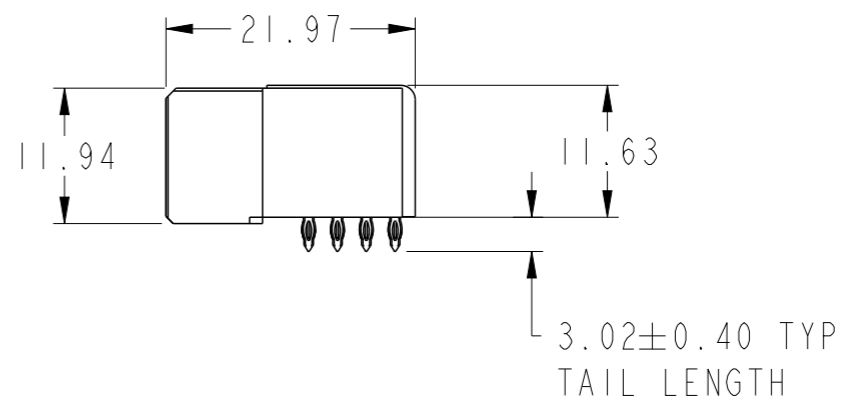
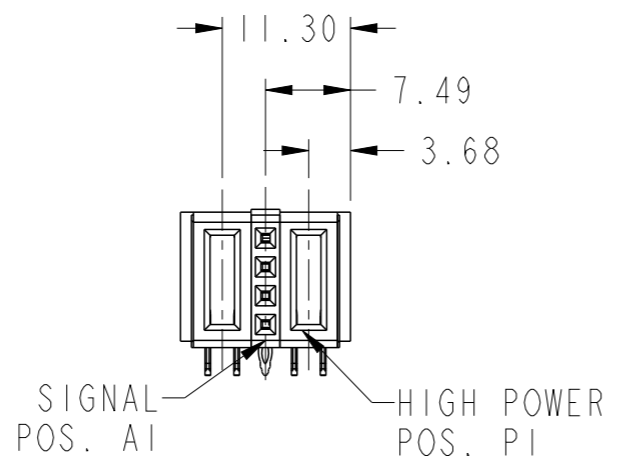


PRODUCT NUMBER SEE SHEET 2



NOTE 1

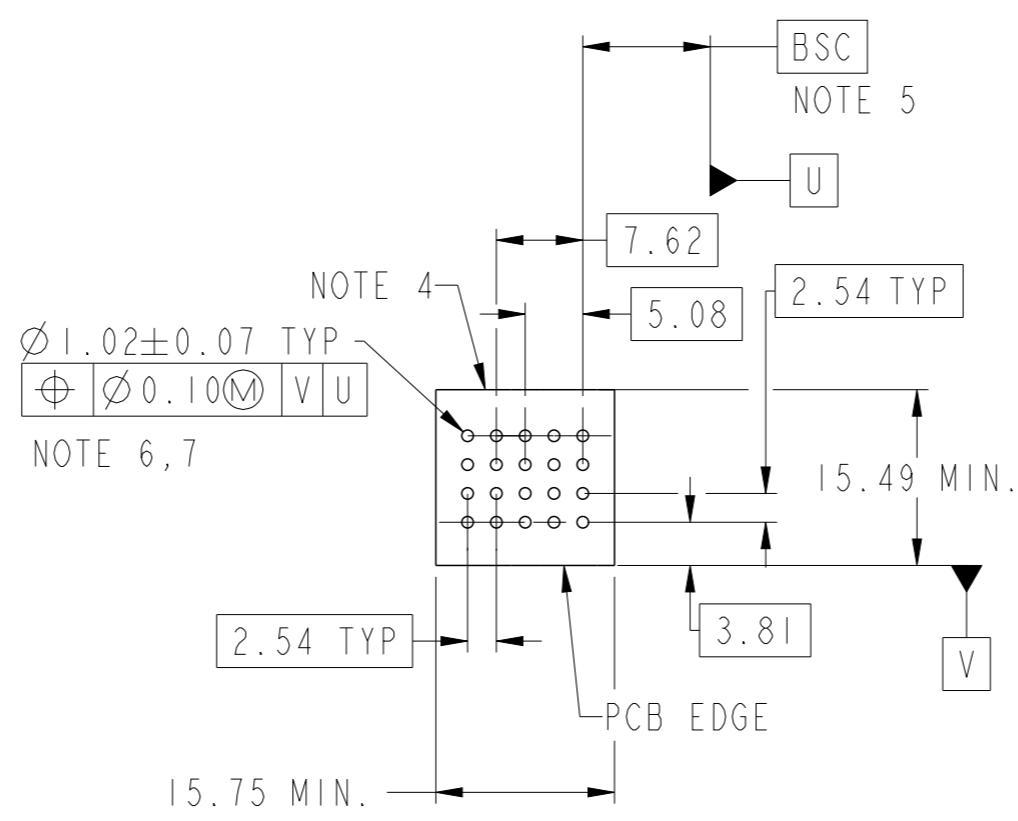


Copyright FCI.

spec ref	*	dr	Rainbow Zhan	2014/10/29	projection	MM	size	A3	scale	3:2												
tolerance std	ASME Y14.5	TOLERANCES UNLESS OTHERWISE SPECIFIED	eng	Rainbow Zhan	2014/11/24		ecn no	-	rel level	Released												
surface	<table border="1"> <tr> <td>linear</td> <td>0.X</td> <td>±0.5</td> </tr> <tr> <td></td> <td>0.XX</td> <td>±0.25</td> </tr> <tr> <td></td> <td>0.XXX</td> <td>±0.10</td> </tr> <tr> <td>angular</td> <td>0°</td> <td>±2°</td> </tr> </table>	linear	0.X	±0.5							0.XX	±0.25		0.XXX	±0.10	angular	0°	±2°	chr	Li-He	2014/11/24	product family
linear	0.X	±0.5																				
	0.XX	±0.25																				
	0.XXX	±0.10																				
angular	0°	±2°																				
ASME Y14.5	<table border="1"> <tr> <td>linear</td> <td>0.X</td> <td>±0.5</td> </tr> <tr> <td></td> <td>0.XX</td> <td>±0.25</td> </tr> <tr> <td></td> <td>0.XXX</td> <td>±0.10</td> </tr> <tr> <td>angular</td> <td>0°</td> <td>±2°</td> </tr> </table>	linear	0.X	±0.5		0.XX	±0.25		0.XXX	±0.10	angular	0°	±2°	appr	Pei-Ming Zheng	2014/11/24	title	IP + 4S + IP RA PF RECEPTACLE	dwg no	10106265-2001002	rev	A
linear	0.X	±0.5																				
	0.XX	±0.25																				
	0.XXX	±0.10																				
angular	0°	±2°																				
		www.fci.com	cat. no.		Product - Customer Drw			sheet 1 of 3														

PRODUCT NO.	ROWS	HP		S	HP	
		E1	P2	1	P1	E2
10106265-2001002LF	D C B A					

CODE	DESCRIPTION
H5	MFBL HIGH POWER CONTACT(3.02)
H7	STD HIGH POWER CONTACT(3.02)
N	STD SIGNAL CONTACT, ROW A
P	STD SIGNAL CONTACT, ROW B
R	STD SIGNAL CONTACT, ROW C
S	STD SIGNAL CONTACT, ROW D



Copyright FCI.

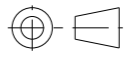
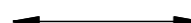

dr	Rainbow Zhan	2014/10/29	projection 	MM 	size	A3	scale	3:2
eng	Rainbow Zhan	2014/11/24			ecn no	-		
chr	Li-He	2014/11/24			rel level	Released		
appr	Pei-Ming Zheng	2014/11/24	product family	PwrBlade+				
		title IP + 4S + IP RA PF RECEPTACLE			dwg no 10106265-2001002	rev A		
www.fci.com		cat. no.	Product - Customer Drw		sheet 2 of 3			

NOTES:

- 1) "FCI", PART NUMBER AND DATE CODE TO BE MARKED ON THIS SURFACE.  
THE MARK CAN BE OMITTED IF THERE IS NOT ENOUGH SPACE ON THIS SURFACE.
- 2) MATERIALS:  
-HOUSING - GLASS FILLED WITH HIGH TEMP THERMOPLASTIC, UL94V-0.  
-SIGNAL CONTACT - COPPER ALLOY.  
-POWER CONTACT - HIGH CONDUCTIVITY COPPER ALLOY.
- 3) PLATING SPECIFICATION REFER TO FCI 10116351
- 4) DENOTES CONNECTOR KEEP OUT ZONE.
- 5) DATUM AND BASIC DIMENSIONS WERE ESTABLISHED BY CUSTOMER.
- 6) ALL HOLE DIAMETERS ARE FINISHED HOLE SIZES.
- 7)  $1.15 \pm 0.025$ MM DRILLED HOLE PLATED WITH 0.00762MM MIN Sn  
OVER 0.0254-0.0762MM Cu PLATING TO ACHIEVE A  $1.02 \pm 0.07$ MM HOLE.
- 8) PRODUCT SPECIFICATION REFER TO FCI GS-12-658.  
APPLICATION SPECIFICATION REFER TO FCI GS-20-141.  
PRODUCT PACKAGED IN TRAYS, REFER TO FCI GS-14-1502.
- 9) THE VOID CORING IN BETWEEN POWER MODULES, SIGNAL  
MODULES AND END MODULES ARE OPTIONAL AND THE SHAPE  
MAY BE DIFFERENT FOR OPTIMIZE THE MOLDING PROCESS. THE  
VOID CORING WILL NOT EFFECT TO PRODUCT FUNCTION.



Copyright FCI.

dr	Rainbow Zhan	2014/10/29	projection 	MM 	size	A3	scale	3:2
eng	Rainbow Zhan	2014/11/24			ecn no	-		
chr	Li-He	2014/11/24			rel level	Released		
appr	Pei-Ming Zheng	2014/11/24			product family	PwrBlade+		
		title IP + 4S + IP RA PF RECEPTACLE		dwg no 10106265-2001002	rev A			
www.fci.com		cat. no.	Product - Customer Drw		sheet 3 of 3			