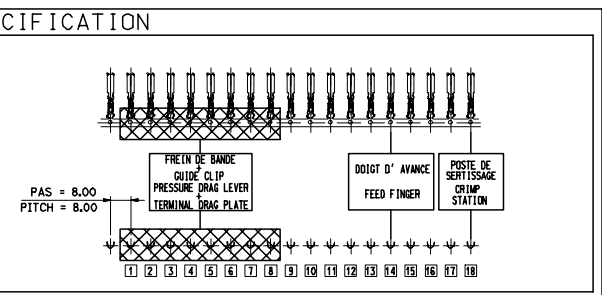
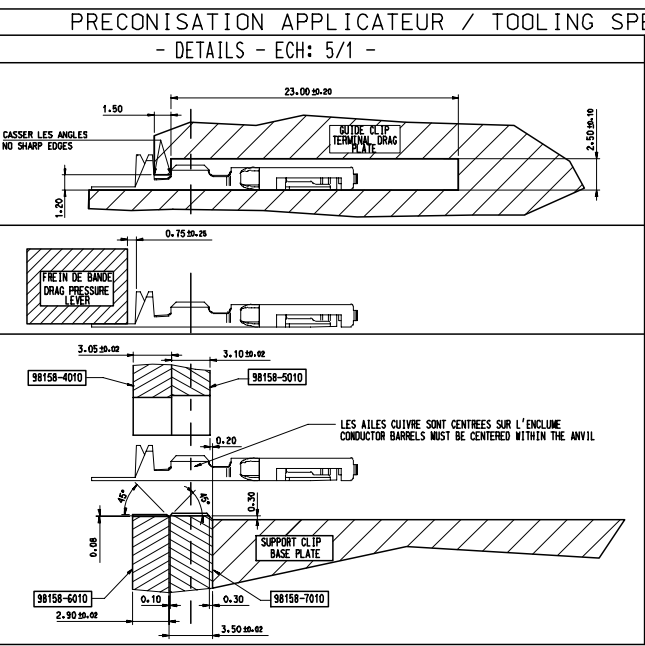
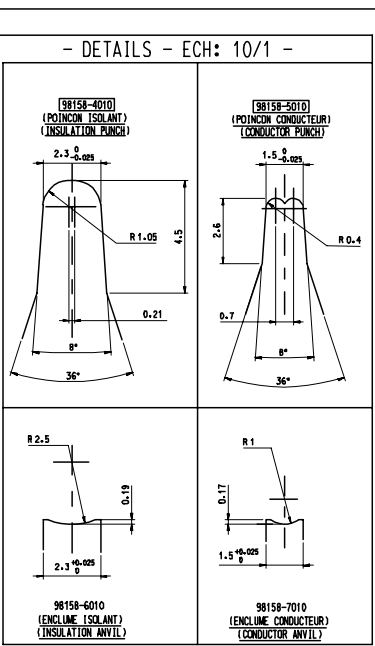
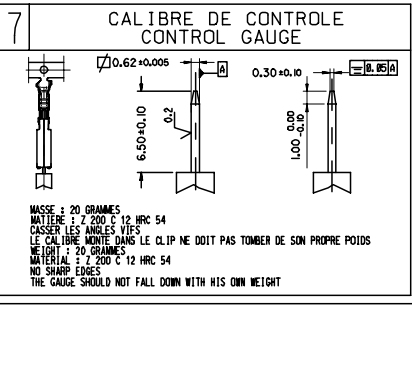
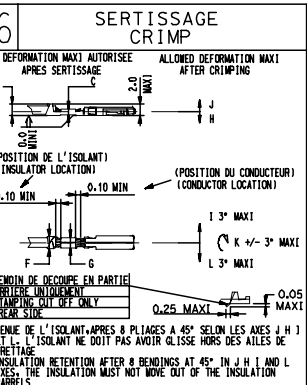
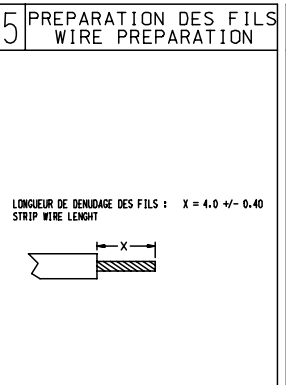
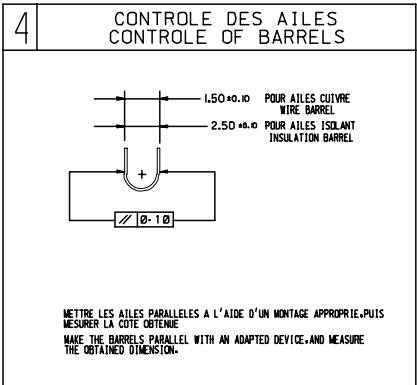
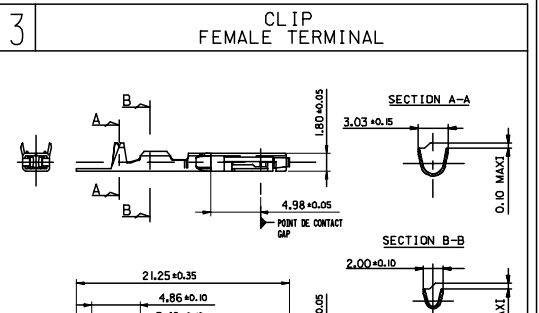
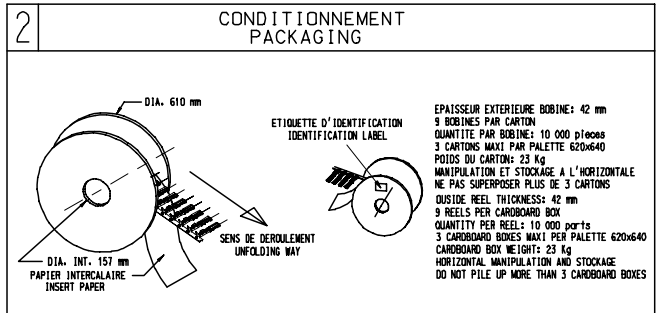


CONTROLE CLIP / CONTROLE FEMALE CONTACT

1 SERTISSAGE CRIMPING

FIL / WIRE				CONTACT / TERMINAL REFERENCES PART #		PARAMETRES DE SERTISSAGE CRIMPING PARAMETERS											
TYPE	SECTION REELLE REAL SECTION	NOUS DE BRIS STRIKING NUMBER	DIA. BRIN MAX MAX STRIKING DIA.	DIAMETRE ISOLANT ISOLATION DIAMETER	MOLEX	R.N./L.R.	REFERENCES D'OUTIL TOOL #		SERTISSAGE CUVRE WIRE BARREL					FRETTAGE ISOLANT INSULATION BARREL			
							ENCLUME CONDUCTEUR CONDUCTOR ANVIL	ENCLUME CONDUCTEUR CONDUCTOR ANVIL	HAUTEUR HEIGHT	LARGEUR WIDTH	C (mm)	HAUTEUR HEIGHT	LARGEUR WIDTH	F (mm)	HAUTEUR HEIGHT	LARGEUR WIDTH	F (mm)
0.22 R1	0.22 mm ²	7	0.25 mm	L20 +0.05					L01 ± 0.03	L5 ± 0.1	> 50 N	L56 ± 0.1	2.2 ± 0.1				
0.35 R1 R3	0.34 mm ²	7	0.25 mm	L30 +0.05					L05 ± 0.03	L5 ± 0.1	> 60 N	L6 ± 0.1	2.2 ± 0.1				
0.35 D3	0.34 mm ²	7	0.25 mm	L30 +0.05					L05 ± 0.03	L5 ± 0.1	> 60 N	L45 ± 0.1	2.2 ± 0.1				
0.50 R1 R3	0.478 mm ²	19	0.38 mm	L50 +0.05	98587-0014	7 703 497 802	98158-5010	98158-7010	98158-4010	98158-6010		L07 ± 0.03	L5 ± 0.1	> 80 N	L55 ± 0.05	2.3 ± 0.1	
0.50 D3	0.478 mm ²	19	0.38 mm	L50 +0.05					L07 ± 0.03	L5 ± 0.1	> 80 N	L55 ± 0.1	2.3 ± 0.1				
0.60 R1 R3	0.59 mm ²	12	0.25 mm	L80 +0.05					L04 ± 0.03	L5 ± 0.1	> 100 N	L95 ± 0.05	2.3 ± 0.05				



TOLERANCES APPLICATEUR / TOOLING TOLERANCES

RAYONS / RADIUS	± 0.05
ANGLE / ANGLE	± 0°15'
SYMETRIE / SYMMETRY	± 0.03
DIMENSION / DIMENSION	± 0.05

A	15/06/02	PREMIERE DIFFUSION FIRST PROPOSAL	
IND.	DATE	REVISION	

Generic sales dwg DRIVING/STUCKER 2005/09/13 CHOKHONDRE 2005/09/13 APPLI/STUCKER 2005/09/14 REV 1 DESCRIPTION	GENERAL TOLERANCES (UNLESS SPECIFIED) mm INCH 4 PLACES ± --- ± --- 3 PLACES ± --- ± --- 2 PLACES ± --- ± --- 1 PLACE ± --- ± --- ANGULAR ± 1/2°	DIMENSION STYLE MM ONLY DRAWN BY DATE MANDRE 2005/06/02 CHECKED BY DATE PGRANDCL 2005/06/02 APPROVED BY DATE STICKEI 2005/06/03	SCALE DESIGN UNITS METRIC FIRST ANGLE PROJECTION CLIP HDX 0.635 MM HDX RCPT TERM 0.635 MM
	DRAFT WHERE APPLICABLE MUST REMAIN WITHIN DIMENSIONS SEE CHART MATERIAL NO. SD-98587-001 DOCUMENT NO. 1 OF 1	MOLEX INCORPORATED THIS DRAWING CONTAINS INFORMATION THAT IS PROPRIETARY TO MOLEX INCORPORATED AND SHOULD NOT BE USED WITHOUT WRITTEN PERMISSION	