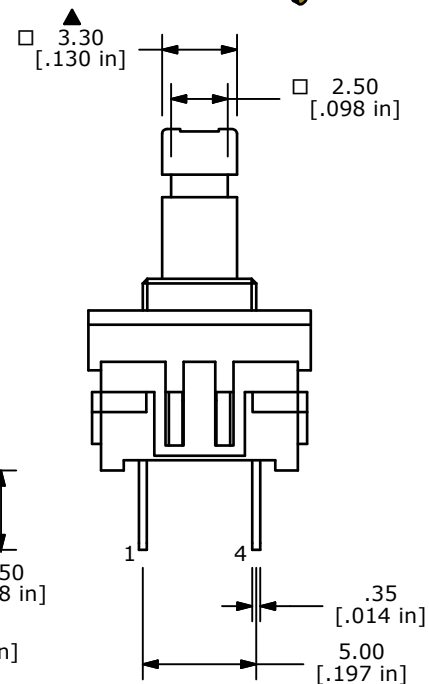
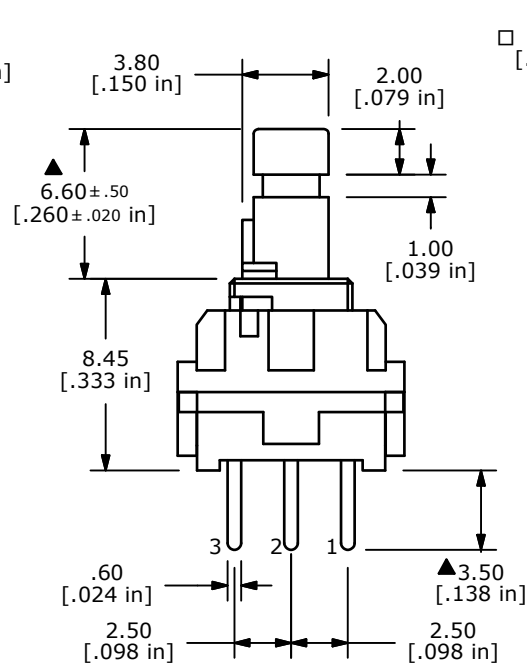
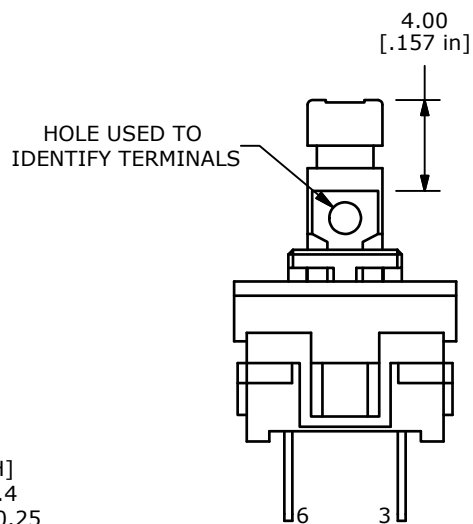
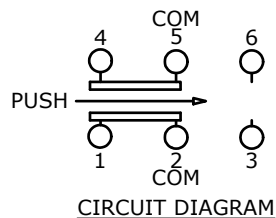
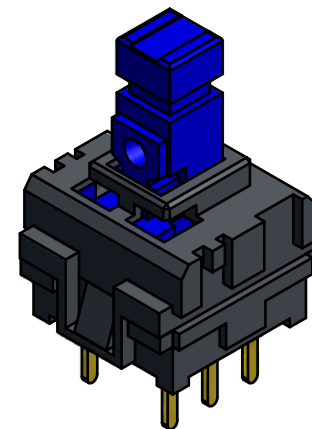
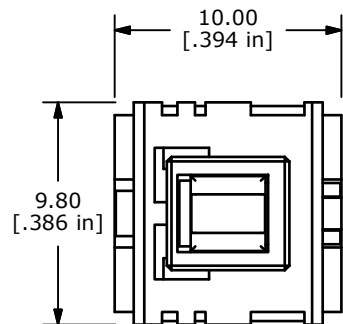


SWITCH FUNCTION	
POS. 1	POS. 2
ON	ON
2-1, 5-4	2-3, 5-6



- NOTE:
1. ALL DIMENSIONS IN mm [INCH]
 2. GENERAL TOLERANCE: x.x = ±0.4
x.xx = ± 0.25
 3. TERMINAL NUMBERS FOR REF. ONLY
 - ▲ 4. CONTACT RATING: 0.1A @ 30 VDC
 5. TRAVEL: FULL= 1.8mm; LOCKING= 1.2mm
 - ▲ 6. OPERATING FORCE: 200±80gf
 7. ELECTRICAL LIFE: 10,000 CYCLES
 8. CONTACT RESISTANCE: 30mΩ MAX.
 9. ▲ DENOTES CRITICAL PARAMETER
 10. CONTACT MATERIAL: SILVER
 11. 2002/95/EC (RoHS) COMPLIANT



B	21131	Re-Release Part Number	5/16/13	rc
REV	PCR NO	DESCRIPTION	DATE	BY

TITLE JN2UEENAGX				
SCALE	DATE	DR	DWG	REV
3:1	5/16/2013	rc	P200001	B

THE INFORMATION CONTAINED IN THIS DOCUMENT IS PROPRIETARY TO E-SWITCH AND IS NOT TO BE COPIED OR TRANSFERRED