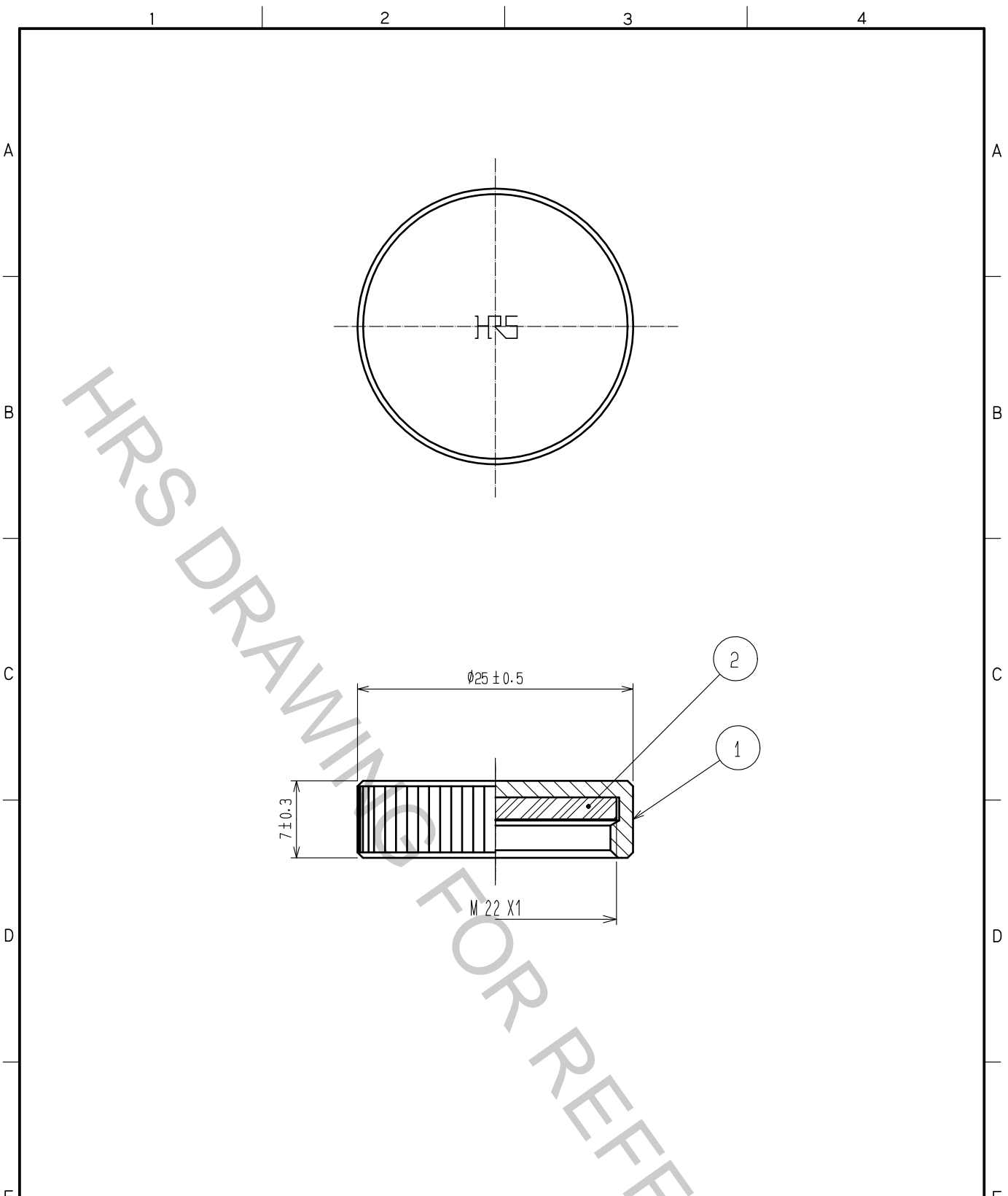


Aug.1.2018 Copyright 2018 HIROSE ELECTRIC CO., LTD. All Rights Reserved.
 In case that the application demands a high level of reliability, such as automotive,
 please contact a company representative for further information.



NOTE 1 THIS PRODUCT IS A CAP FOR JR※16WR※-※(※).
 IT IS APPLICABLE REGARDLESS OF GIVEN ALPHABETS AND/OR NUMBERS SHOWN AT ※.

1	BRASS	BLACK CHROME PLATING	2	CHLORPRENE RUBBER (BLACK)			
NO.	MATERIAL	FINISH . REMARKS	NO.	MATERIAL	FINISH . REMARKS		
UNITS mm		SCALE 2 : 1	COUNT 	DESCRIPTION OF REVISIONS	DESIGNED	CHECKED	DATE
HIROSE ELECTRIC CO., LTD.	APPROVED	·HY. KOBAYASHI	18. 02. 26	DRAWING NO.	EDC-113026-31-00		
	CHECKED	·HY. KOBAYASHI	18. 02. 26	PART NO.	JR16WRC(31)		
	DESIGNED	·TH. KAMEYA	18. 02. 24	CODE NO.	CL114-2162-4-31		
	DRAWN	·MK. INOUE	18. 02. 14			1	1