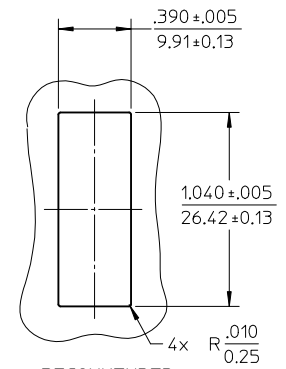
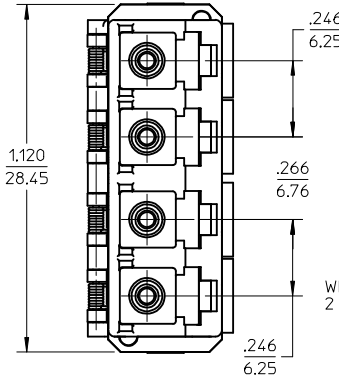
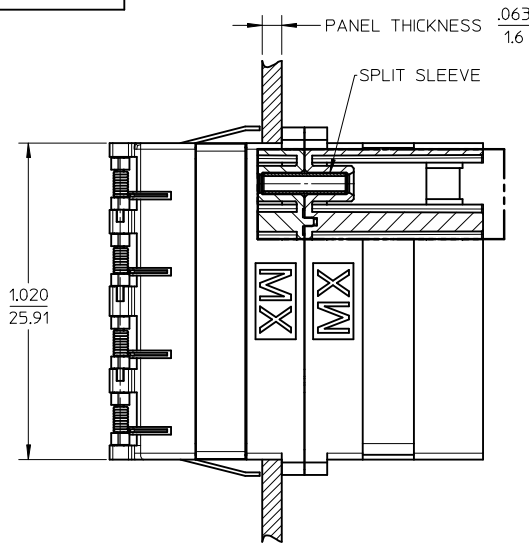
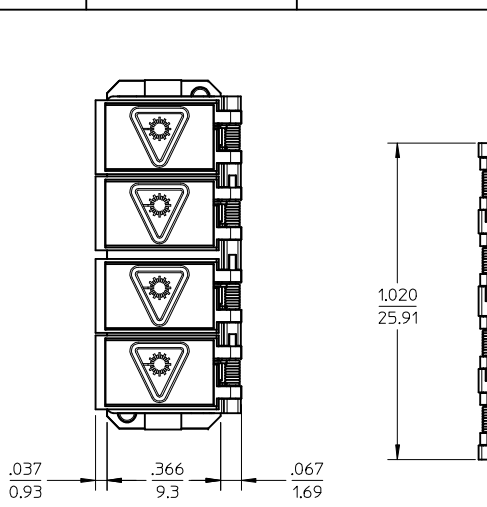
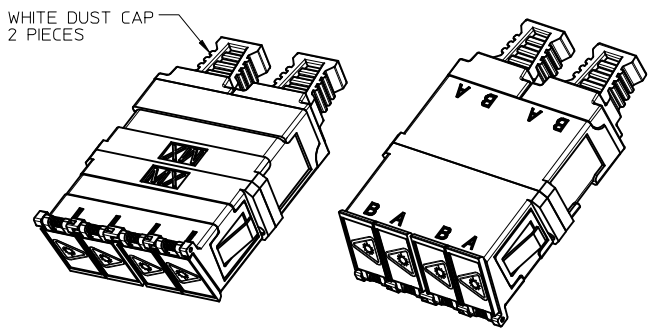


10	9	8	7	6	5	4	3	2	1
LC QUAD ADAPTER P/N	LC QUAD ADAPTER COLOR	SPLIT SLEEVE MATERIAL							
106123-0450	BLUE	ZR							
106123-1450	BEIGE	PHOSPHOR BRONZE							
106123-3450	AQUA	PHOSPHOR BRONZE							
106123-2430	GREEN	ZR							

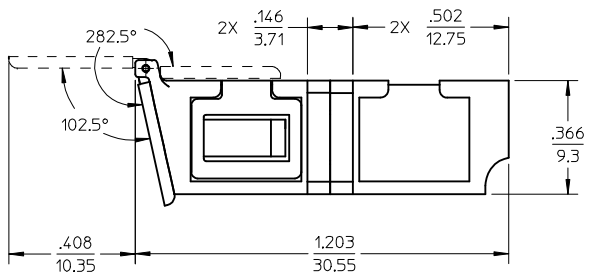


RECOMMENDED MOUNTING PATTERN SCALE 1.5:1



ISO VIEW 1 SCALE 1.5:1

ISO VIEW 2 SCALE 1.5:1



- NOTES:
- ALL DIMENSIONS ARE FOR REFERENCE.
  - DUST CAPS NOT SHOWN ON FRONT, BOTTOM AND RIGHT VIEW.
  - LC QUAD ADAPTER HAS SC DUPLEX ADAPTER FOOTPRINT.

<b>ENTER DESCRIPTION</b> EC NO: MF2013-0549 DR: MANKPEVZNER 2013/03/04 CHKD: APPR: IGUMIN 2013/03/07	QUALITY SYMBOLS	GENERAL TOLERANCES (UNLESS SPECIFIED)	DIMENSION STYLE	SCALE	DESIGN UNITS	THIRD ANGLE PROJECTION
	$F=0$	mm INCH	IN/MM	2.5:1	INCH	
	$F=0$	4 PLACES ± --- ± ---	DRAWN BY DATE			
	$F=0$	3 PLACES ± --- ± ---	LKATARZIENE 8.22.07			
$F=0$	2 PLACES ± --- ± ---	CHECKED BY DATE				
	1 PLACE ± --- ± ---	APPROVED BY DATE				
	0 PLACE ± ±					
	ANGULAR ±1/2°	DRAFT WHERE APPLICABLE	MATERIAL NO.	DOCUMENT NO.	SHEET NO.	
	DRAFT WHERE APPLICABLE	MUST REMAIN WITHIN DIMENSIONS	SEE TABLE	SD-106123-0450	1 OF 1	
			SIZE B	THIS DRAWING CONTAINS INFORMATION THAT IS PROPRIETARY TO MOLEX INCORPORATED AND SHOULD NOT BE USED WITHOUT WRITTEN PERMISSION		