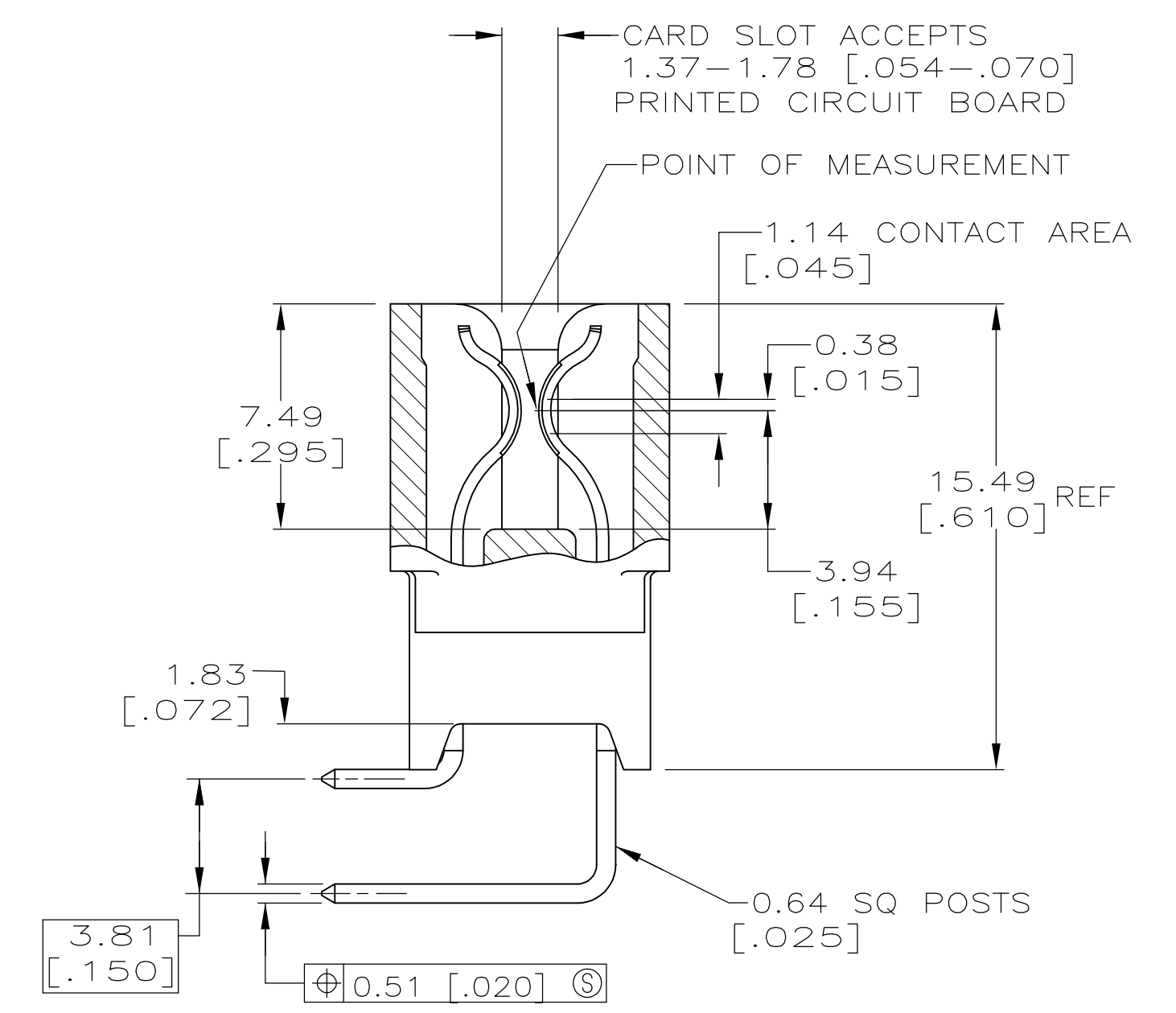
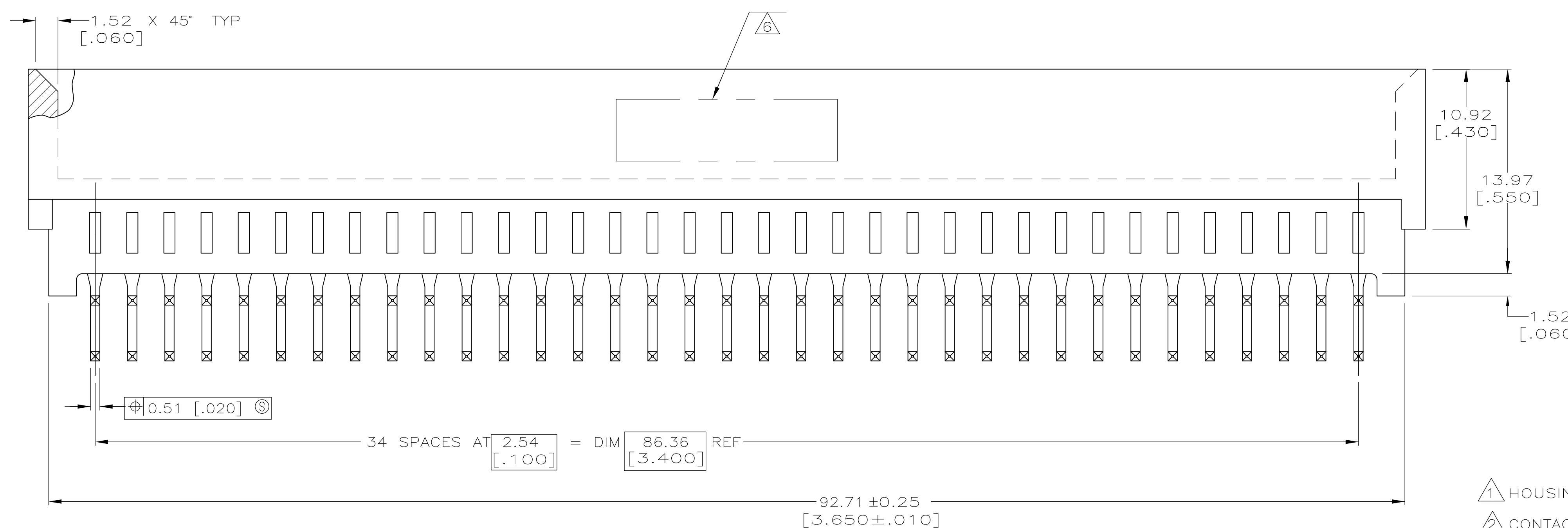
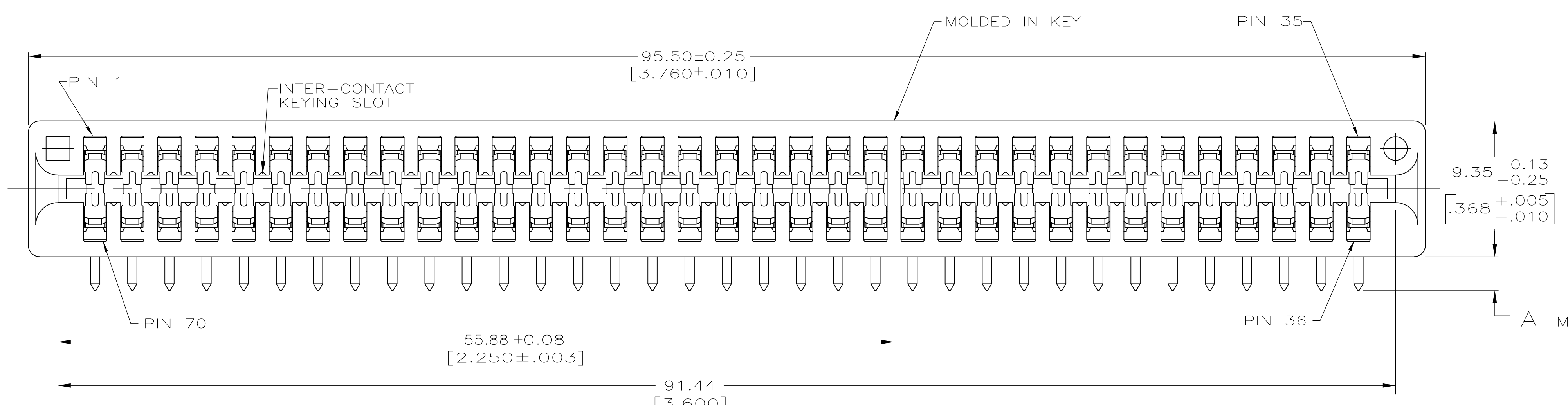
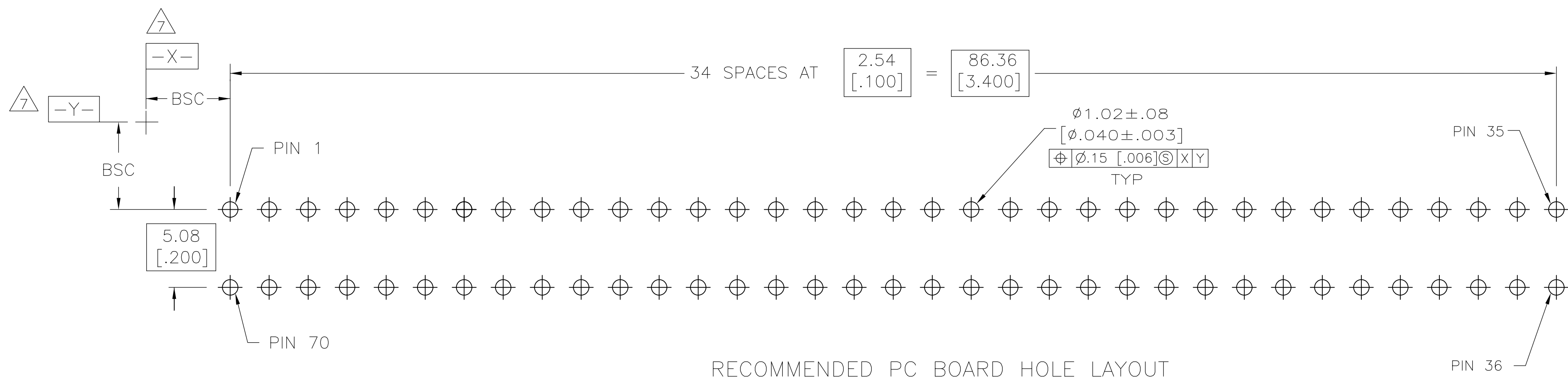


LOC		DIST		REVISONS			
GP	00	REV	DATE	BY	CHK	APPV	
D		REVISED PER EC 0512-0467-04	21 OCT 04	AWF	AWF		
D1		REVISED PER ECO-09-020935	31AUG09	KK	AEG		



- 1 HOUSING: GLASS FILLED POLYESTER; COLOR: BLACK.
- 2 CONTACT: PHOSPHOR BRONZE.
- 3 NICKEL PLATE: 0.00127 [.000050] MIN - ALL OVER. NICKEL PLATE PER MIL-G-45204.
- 4 TIN-LEAD PLATE: 0.00254 [.000100] MIN - SOLDER POSTS.
- 5 GOLD PLATE: 0.00038 [.000015] MIN - CONTACT AREA. GOLD PLATE PER QQ-N-290.
- 6 AMP PART NUMBER, DATE CODE AND CSA LOGO MAY BE MARKED IN APPROXIMATE AREA SHOWN, EITHER SIDE.
- 7 DATUMS PLUS BASIC DIMENSIONS ESTABLISHED BY CUSTOMER.
- 8 OBSOLETE PARTS: OBSOLETE CIS STREAMLINING PER D.RENAUD/D.SINISI



REV	DATE	BY	CHK	APPV
4.83 [.190]	22/23	35	-145542-2-	
2.29 [.090]	NONE	35	145542-1	
A	KEY LOCATION	NO OF POSN	PART NUMBER	

-2 SHOWN

THIS DRAWING IS A CONTROLLED DOCUMENT.		DIN AL FRANTUM 13 JUN 03	Tyco Electronics Corporation Harrisburg, PA 17105
DIMENSIONS: MM		CHK AL FRANTUM 13 JUN 03	
TOLERANCES UNLESS OTHERWISE SPECIFIED:		APVD	NAME
0. PLC ± -	1. PLC ± -	PRODUCT SPEC	CONNECTOR ASSEMBLY
2. PLC ± 0.13[.005]	3. PLC ± -	APPLICATION SPEC	STANDARD EDGE II
4. PLC ± -	ANGLES ± 1°	SIZE	2.54[.100] X3.81[.150], RT ANGLE
MATERIAL	FINISH	WEIGHT	RESTRICTED TO
		A1 00779 C=145542	
CUSTOMER DRAWING		SCALE 4:1	SHEET 1 OF 1 REV D1