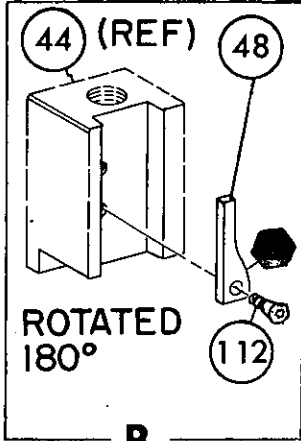
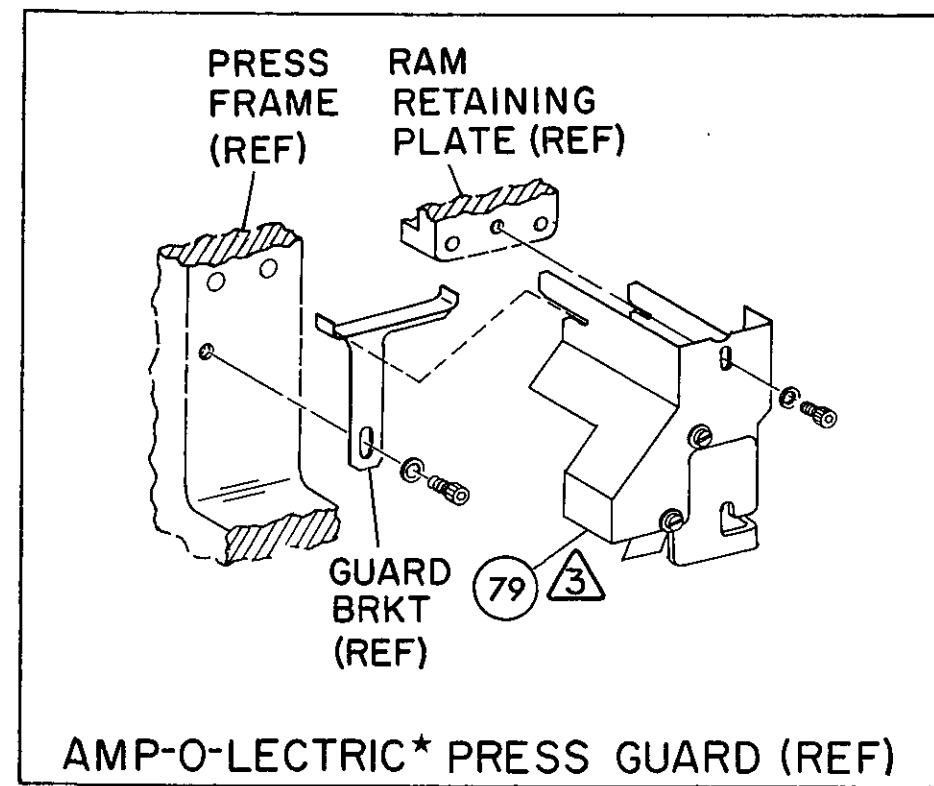
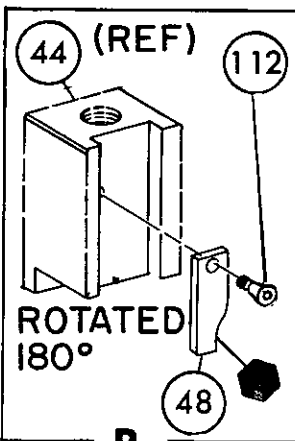


PRE-FEED
1/8" STROKE



POST-FEED
15/8" STROKE



NOTES:

1- ONLY THE ITEMS WITH QUANTITIES SPECIFIED ON PARTS LIST ARE USED ON THIS APPLICATOR.

△ USED IN PLACE OF ITEM 38 WHEN INSULATION CRIMP IS NOT USED.

△ GUARD MUST BE IN PLACE WHEN OPERATING APPLICATOR IN AMP-O-LECTRIC PRESS.

KEY:

■ - RECOMMENDED SPARE PARTS CUSTOMER RESPONSIBLE FOR REPLACEMENT.

▲ - LUBRICATE DAILY USING NO. 20 MACHINE OIL.

● - GREASE LIGHTLY

QTY	PART NO	DESCRIPTION	ITEM NO	QTY	PART NO	DESCRIPTION	ITEM NO
2	21045-3	RING, RETAINING 'C' (.187 DIA) FEED FINGER PIN	145	1	454220-1	CAP, HOUSING	59
			144	1	454485-1	HOUSING	58
2	5-21028-1	PIN, SLOT SPR (.125 DIA X .50) ADJ ROD	143				57
1	4-21028-0	PIN, SLOT SPR (.093 DIA X .75) STR G PLATE	142	1	458537-2	PAWL, FEED	56
1	1-21030-1	PIN, DOWEL (.187 DIA X .50) LEVER	141	1	240624-1	PIN, FEED FINGER	55
1	1-21030-6	PIN, DOWEL (.187 DIA X 1.25) HOUSING	140	1	691499-1	SPRING, FEED FINGER	54
1	21024-5	WASHER, LOCK (NO 10) LUB ASSY	139	1	690541-1	FINGER, FEED	53
1	21024-5	WASHER, LOCK (NO 10) STRIP GUIDE ADJ BLOCK	138	1	455679-2	LEVER, TERMINAL FEED ARM	52
2	21024-5	WASHER, LOCK (NO 10) ADJ PLATE	137				51
2	21024-5	WASHER, LOCK (NO 10) FEED GUIDE ROD	136				50
3	21057-2	WASHER, LOCK (NO 4) FRONT STRIP GUIDE	135	1	7-21002-9	BOLT, CRIMPER	49
1	21024-4	WASHER, LOCK (NO 8) FEED FINGER	134	1	690602-5	CAM PRE-FEED 1/8 STROKE	48
1	21024-4	WASHER, LOCK (NO 8) DEPRESSOR	133				47
1	21024-4	WASHER, LOCK (NO 8) STRIPPER	132				46
1	21899-4	WASHER, FLAT (5/16 DIA) SCREW ADJ	131	1	459456-1	APPLICATOR, BASIC (SUB ASSY)	46
1	21899-2	WASHER, FLAT (NO 10) LUB ASSY	130	1	690191-1	PLUG, NYLON	45
1	21068-5	NUT, HEX MACH (6-32) HOLDDOWN	129	1	461080-1	RAM	44
1	21068-5	NUT, HEX MACH (6-32) FEED ADJ	128	1	690125-1	WASHER, LAMINATED	43
			127		690124-1	WASHER, RAM	42
			126			DISC, SPACER	41
			125	2	23241-6	BALL, STEEL	40
1	21009-2	SCR, SKT SET (1/4-20 X .25) (LOC-WEL) RAM	124	1	690170-1	SPRING, COMPRESSION	39
			123	1	690142-1	DISC, INSULATION	38
			122	1	4-692155-2	DISC, WIRE	37
			121	1	22480-5	WASHER, SPRING	36
2	2-21002-9	SCR, BUT HD SKT CAP (10-32 X .75) DRAG	120	1	690212-1	POST, RAM	35
1	22733-8	SCR, BUT HD SKT CAP (8-32 X .38) (LOC-WEL) ANVIL	119	1	690786-6	SUPPORT, TERMINAL	34
4	2-21002-9	SCR, BUT HD SKT CAP (10-32 X .75) CAP	118	1	458143-1	PLATE, BASE	33
3	2-22733-8	SCR, BUT HD SKT CAP (1/4-20 X .62) HOUSING	117	1	690432-3	SCREW, ADJUSTMENT	32
1	2-21002-7	SCR, BUT HD SKT CAP (10-32 X .50) SG ADJ BLOCK	116	1			31
4	2-21002-2	SCR, BUT HD SKT CAP (8-32 X .50) SHEAR	115	1	455689-1	BLOCK, STRIP GUIDE ADJ	30
2	2-21002-2	SCR, BUT HD SKT CAP (8-32 X .50) R STRIP GUIDE	114	1	458144-1	PLATE, STRIP GUIDE	29
			113	2	455888-1	SPACER, FRONT SHEAR DEPRESSOR	28
1	1-21002-7	SCR, BUT HD SKT CAP (6-32 X .38) CAM	112	1	1-22284-0	SPRING, DRAG	27
1	3-21000-4	SCR, SKT HD CAP (10-32 X .38) LUBRICATOR ASSY	111	1	240793-1	LEVER, DRAG RELEASE	26
2	23030-1	SCR, SKT HD CAP (6-32 X .25) (LOC-WEL) CP DISC	110	1	240792-1	DRAG, STOCK	25
			109	1	5-690440-0	GUIDE STRIP (REAR)	24
			108	1	690438-1	GUIDE, STRIP (FRONT)	23
			107	1	463157-1	SPACER - FRONT STRIP GUIDE	22
3	1-21000-3	SCR, SKT HD CAP (4-40 X .25) F STRIP GUIDE	106		4-22284-9	SPRING, FEED RETURN	21
1	2-21000-7	SCR, SKT HD CAP (8-32 X .50) STRIPPER	105	1			20
2	3-21000-7	SCR, SKT HD CAP (10-32 X .75) FEED ROD GUIDE	104	1	463588-1	STRIPPER	19
2	3-21000-6	SCR, SKT HD CAP (10-32 X .62) FEED ADJ BLOCK	103			HOLDER, TERMINAL	18
1	3-21000-4	SCR, SKT HD CAP (10-32 X .38) SG ADJ BLOCK	102			GUARD, CHIP (REAR)	17
1	3-21000-4	SCR, SKT HD CAP (10-32 X .38) PIVOT BLOCK	101			GUARD, CHIP (FRONT)	16
1	455755-7	GUARD ASSY	79			PLATE, SHEAR (REAR)	15
1	1-465184-0	LUBRICATOR ASSY OIL, LUBRICATING	78			HOLDER, SHEAR (REAR)	14
			77	1	5-22280-0	SHEAR, FLOAT (REAR)	13
			76	1	690461-7	SPRING, SHEAR	12
1	1-22278-7	SPRING	76	1	690461-7	STOP, SHEAR	11
1	461426-3	DEPRESSOR - WIRE	75	1	1-690459-0	HOLDER, SHEAR (FRONT)	10
1	458109-1	WASHER, SPECIAL	74	1	454276-5	SHEAR, FLOAT (FRONT)	9
1	454877-3	PLATE, STRIP GUIDE COVER	73	1	454356-9	ANVIL	8
2	690603-1	SPRING, ASSIST	72			SPACER, DEPRESSOR (REAR)	7
1	690517-1	SPACER	71			DEPRESSOR, SHEAR (REAR)	6
1	22594-8	NUT, HEX	70	1	1-455889-7	DEPRESSOR, SHEAR (FRONT)	5
1	240628-1	PLATE, ADJUSTMENT	69	1	2-238011-6	SPACER, TUBULAR, INS CRIMPER	4
1	240626-1	SHAFT, PIVOT	68	1	7-456135-4	CRIMPER, INSULATION	3
1	240633-1	BUSHING	67	1	693184-5	SPACER, CRIMPER	2
1	455680-1	LEVER, INTERMEDIATE	66	1	463281-2	CRIMPER, WIRE	1
1	240629-1	BLOCK, PIVOT	65				
1	240632-2	SCREW, ADJUSTMENT FEED ROD	64				
1	240659-3	PIN, CAM ROLLER	63				
1	240658-1	ROLLER, CAM	62				
1	454398-2	ROD, FEED	61				
1	454178-1	GUIDE, FEED ROD	60				

CRIMPING DATA				APPLICATOR WILL APPLY	
PAD LTR	CRIMP HEIGHT	WIRE SIZE	STRIP LENGTH	FLAG	RING
A	.160	RG 58			226619
B	NOT USED			TAB	226622
C	NOT USED				226854
D	NOT USED				
CRIMP	SIZE	TYPE	FEED	APPL INST	
WIRE	.164	F	.850	A1 8025	
INSUL	.210	O			
WIRE RANGE 5/16 SHIELD .130-.140		INSULATION RANGE .180-.195		PRESS NO 565435-5	
REMARKS					
AMP-O-LECTRIC PRE-FEED					
5/16					

REMARKS	NO	REV
TO APPLY TERMINAL		
APPL USED ON MACHINE PART NO	MACH SERIAL NO	DISTRIBUTION
CUSTOMER NAME	APPL SERIAL NO	ORIGINAL
ADDRESS	PURCHASE ORDER	CUSTOMER COPY
CITY	ENG APP	FIELD ENG COPY

REVISION RECORD	APP DATE	REVISION RECORD	APP DATE
F 0150-6280-95	TR 7-95	F 0150-6280-95	TR 7-95

THIS DRAWING IS A CONTROLLED DOCUMENT FOR AMP INCORPORATED. IT IS SUBJECT TO CHANGE WITHOUT NOTICE. THE LATEST REVISION SHOULD BE CONTACTED FOR THE LATEST REVISION.



AMP INCORPORATED Harrisburg, Pa. NO 466539-1