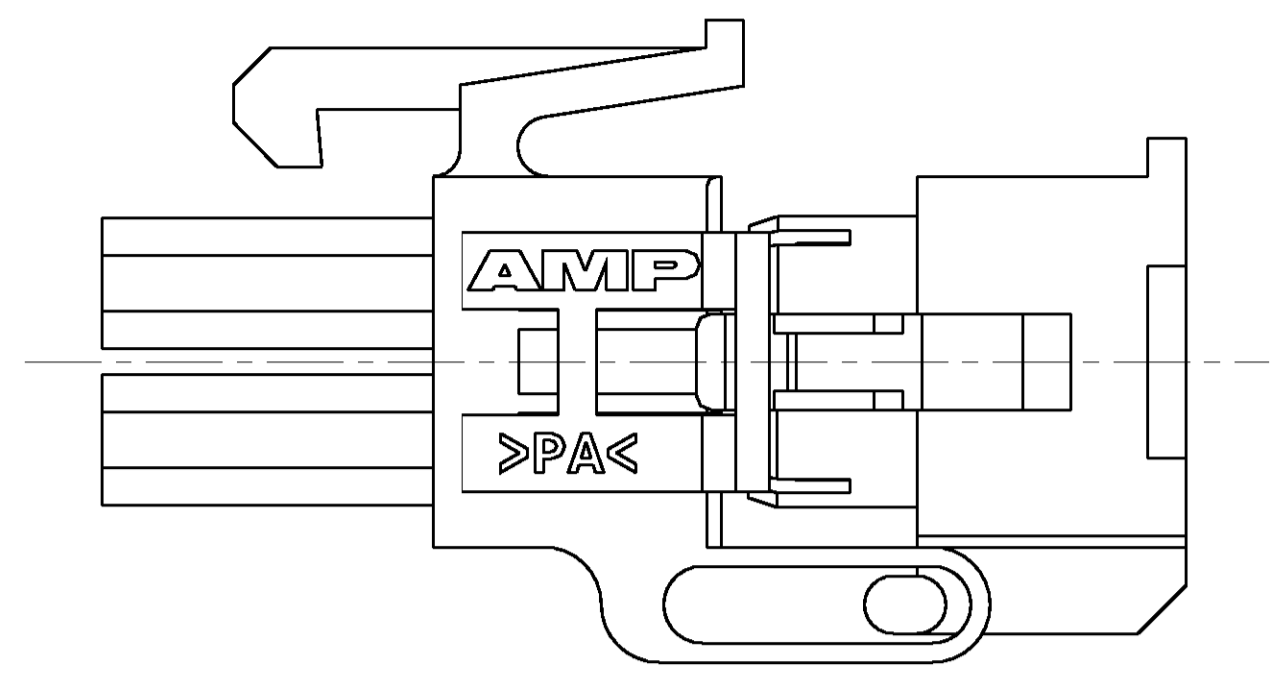
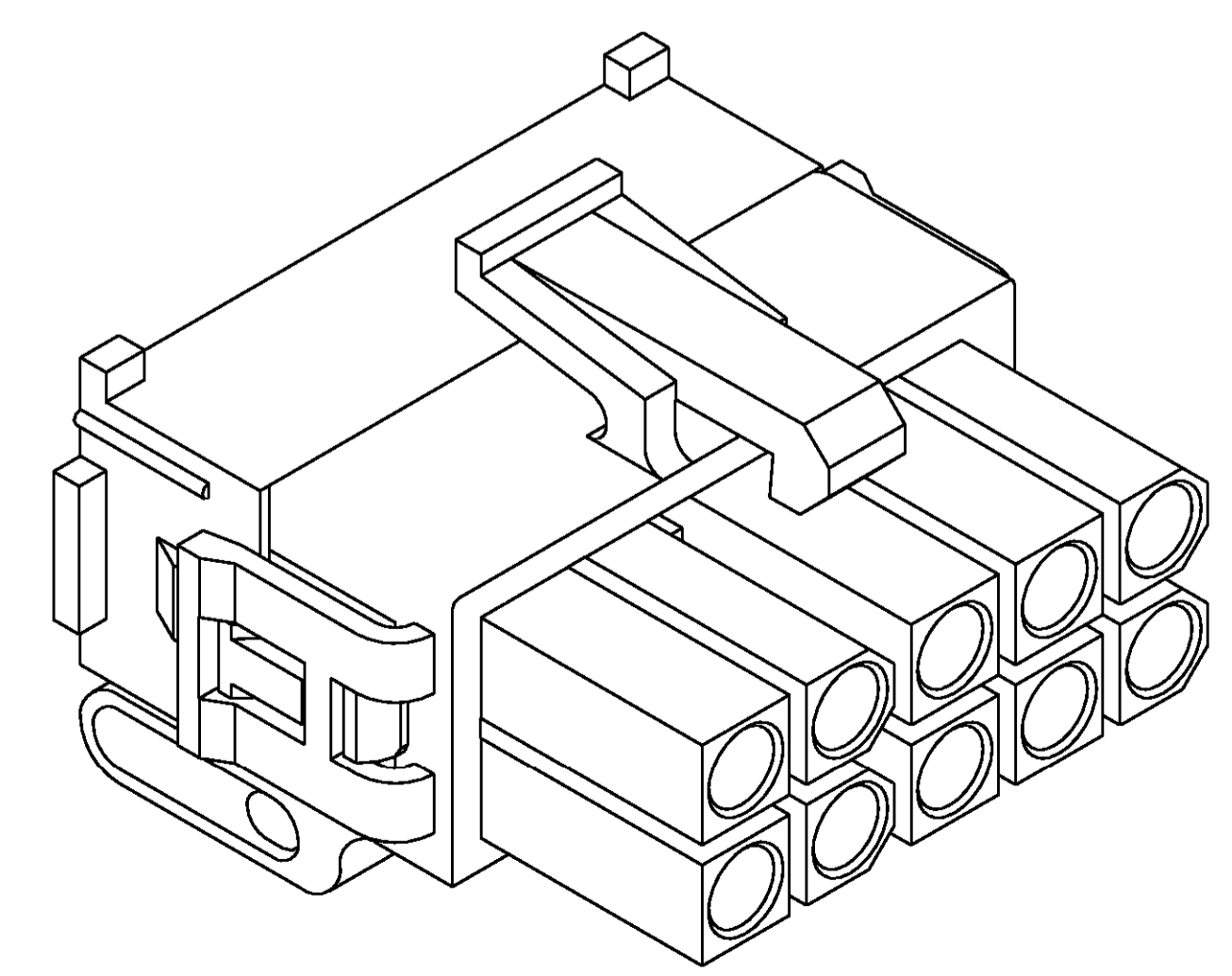
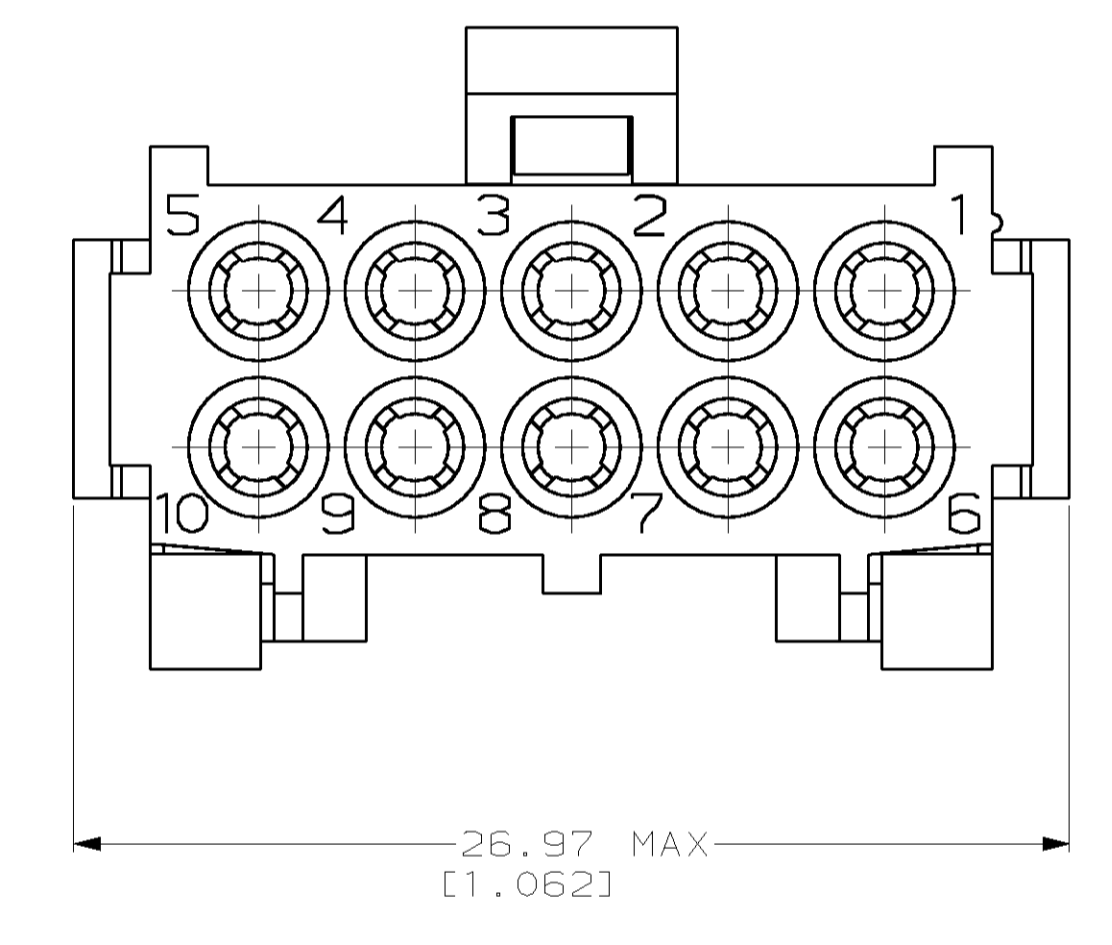
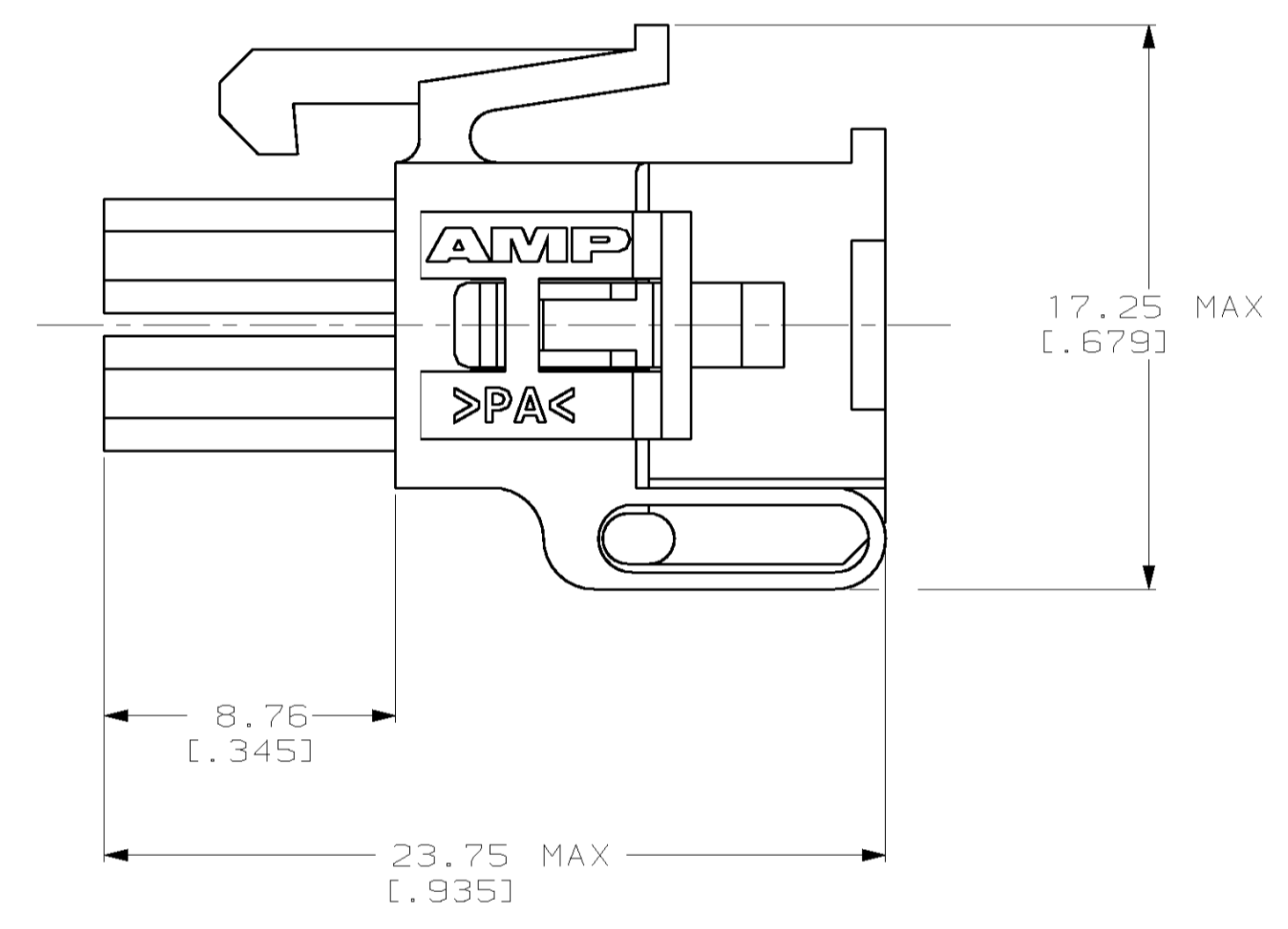
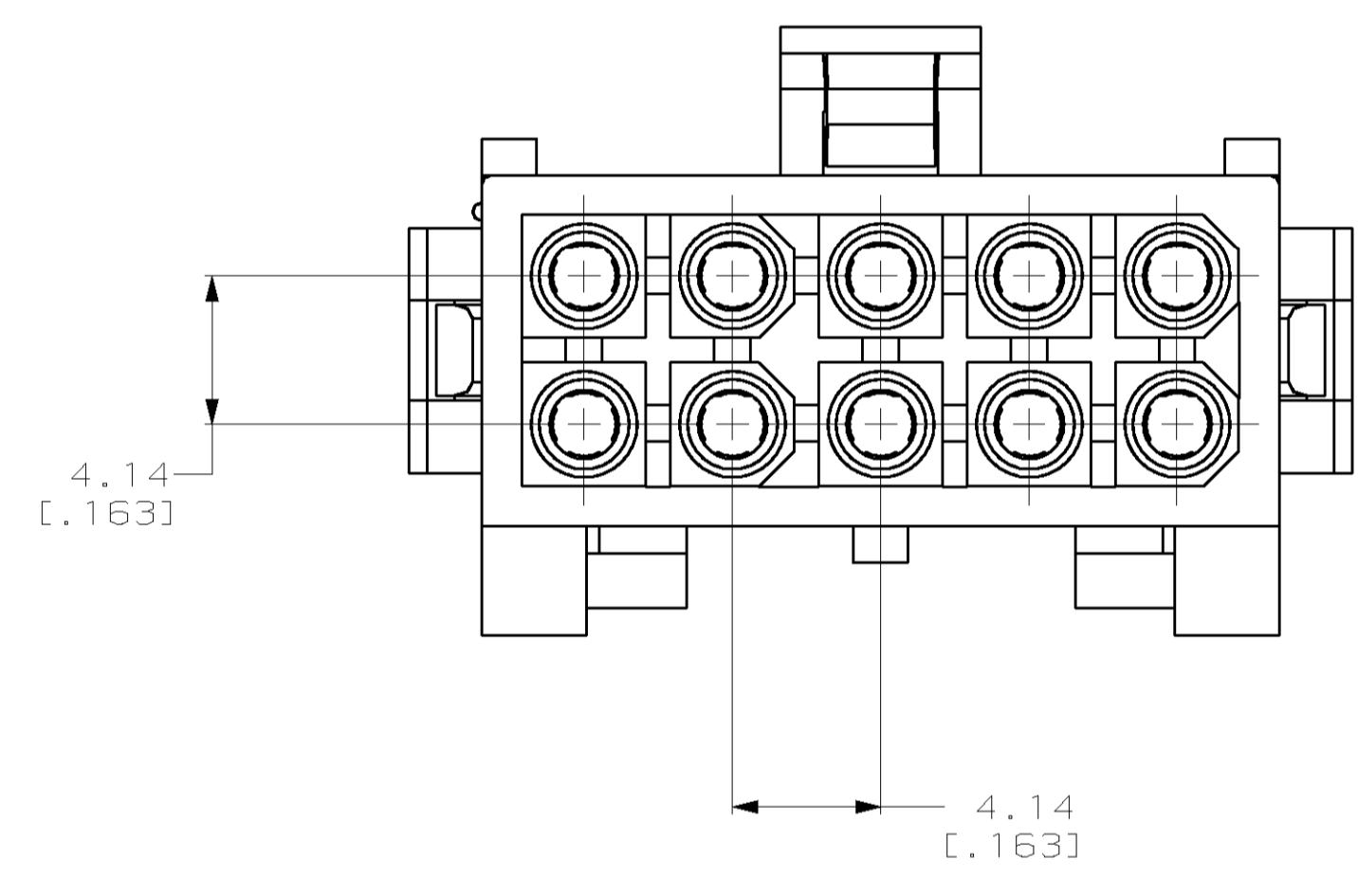


LOC	DIST	REV	PER	EC	DATE	BY	APVD
CM	53	B	REV PER EC	061B-0094-99	23-SEP-99	KW	KC



PRE-STAGED CONDITION

1. DIMENSIONS IN BRACKETS ARE IN INCHES.



3-DIMENSIONAL MODEL
NTS

794249-1
PART NUMBER



THIS DRAWING IS A CONTROLLED DOCUMENT.		DWN K. WHITAKER	5-14-97	AMP AMP Incorporated Harrisburg, PA 17105-3608
		CHK R. SWING	5-14-97	
DIMENSIONS:		TOLERANCES UNLESS OTHERWISE SPECIFIED:		NAME R. ORSTAD
mm		0 PLC	±	PRODUCT SPEC
		1 PLC	±	APPLICATION SPEC
		2 PLC	±	
		3 PLC	±0.13 (0.005)	
		4 PLC	±	
		ANGLES	±	
MATERIAL	NYLON, UL 94V-2, NATURAL	FINISH	-	SIZE CAGE CODE DRAWING NO A1 00779 C-794249
CUSTOMER DRAWING				RESTRICTED TO
SCALE		5:1	SHEET	1 OF 1
REV		B		