

3M™ HDC Socket

.100" Right Angle, PCB, 3 or 4-Row, Solder Tail or Press-Fit

HDC Series



- High density 3-row version, up to 240 contacts single bay or 366 contacts dual bay
- Mates with 3-row single or dual bay plugs and headers
- High density 4-row version, up to 320 contacts single bay or 488 contacts dual bay
- Mates with 4-row single or dual bay plugs and headers
- Low 2 oz. insertion force
- See Regulatory Information Appendix (RIA) for chemical compliance information

Date Modified: April 6, 2007

TS-1137-03
Sheet 1 of 7

Physical

Insulation

Material: Glass Filled Thermoplastic (LCP)
Flammability: UL 94V-0
Color: Black

Contact

Material: Copper Alloy

Plating

Underplating: 50 μ " [1.27 μ m] min. Nickel
Wiping Area: See Ordering Information
Termination Area: See Ordering Information

Marking: Part Number and Date Code

Electrical

Current Rating: 3.0 A per contact
Insulation Resistance: 1×10^3 M Ω min. at 500 V_{DC}
Withstanding Voltage: 900 V_{AC} for 1 minute

Environmental

Temperature Rating: -55°C to +125°C
Process Rating: Maximum 260°C (per J-STD-020C)
Moisture Sensitivity Level: 1 (per J-STD-020C)

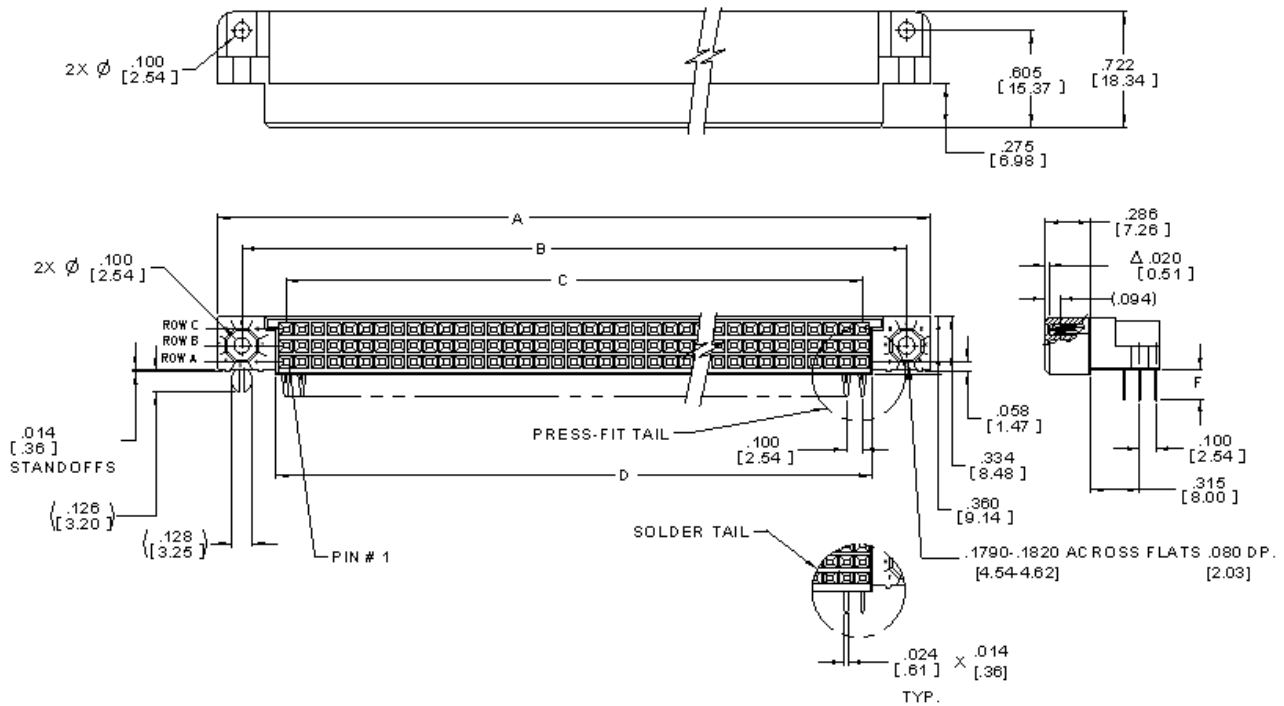
UL File No.: E68080

3M™ HDC Socket

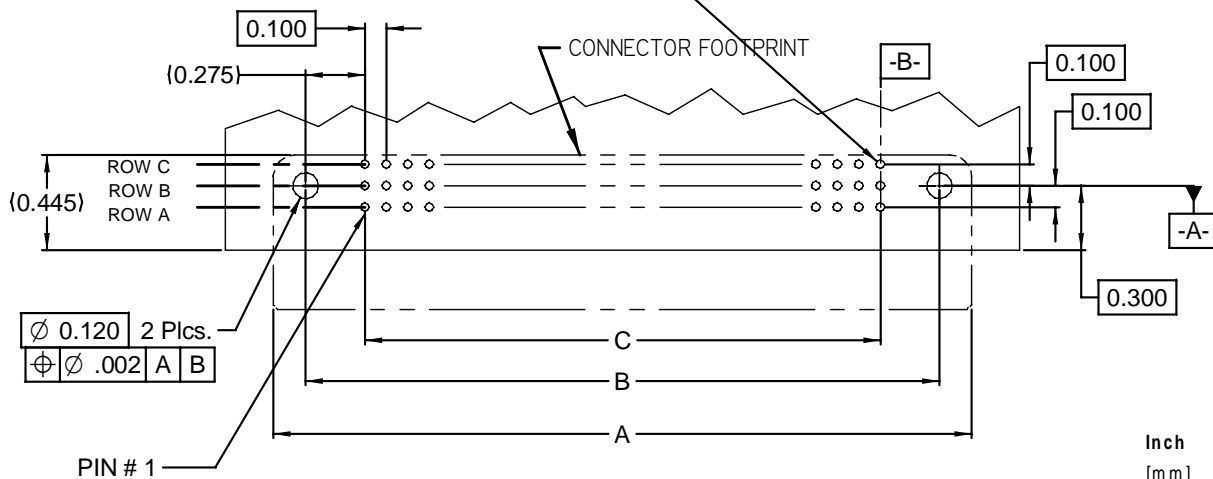
.100" Right Angle, PCB, 3 or 4-Row, Solder Tail or Press-Fit

HDC Series

3-Row Single Bay



ϕ 0.041-0.049 PLATED-THRU HOLE, SOLDER TAIL
 ϕ 0.037-0.043 PLATED-THRU HOLE, PRESS-FIT TAIL
 ϕ .004 (M) A B



RECOMMENDED P.C.B. HOLE PATTERN

Inch [mm]

Tolerance Unless Noted		
	.0	.00 .000
inch	\pm .1	\pm .01 \pm .005

[] Dimensions for Reference Only



3M™ HDC Socket

.100" Right Angle, PCB, 3 or 4-Row, Solder Tail or Press-Fit

HDC Series

Product Table/Dimensions for 3- Row, Single Bay

Description	Contact Quantity	A	B	C	D
HDC-S045-31XX-XXXX	45	2.250 [57.15]	1.950 [49.53]	1.400 [35.56]	1.524 [38.71]
HDC-S075-31XX-XXXX	75	3.250 [82.55]	2.950 [74.93]	2.400 [60.96]	2.524 [64.11]
HDC-S090-31XX-XXXX	90	3.750 [95.25]	3.450 [87.63]	2.900 [73.66]	3.024 [76.81]
HDC-S096-31XX-XXXX	96	3.950 [100.33]	3.650 [92.71]	3.100 [78.74]	3.224 [81.89]
HDC-S102-31XX-XXXX	102	4.150 [105.41]	3.850 [97.79]	3.300 [83.82]	3.424 [86.97]
HDC-S120-31XX-XXXX	120	4.750 [120.65]	4.450 [113.03]	3.900 [99.06]	4.024 [102.21]
HDC-S135-31XX-XXXX	135	5.250 [133.35]	4.950 [125.73]	4.400 [111.76]	4.524 [114.91]
HDC-S150-31XX-XXXX	150	5.750 [146.05]	5.450 [138.43]	4.900 [124.46]	5.024 [127.61]
HDC-S165-31XX-XXXX	165	6.250 [158.75]	5.950 [151.13]	5.400 [137.16]	5.524 [140.31]
HDC-S180-31XX-XXXX	180	6.750 [171.45]	6.450 [163.83]	5.900 [149.86]	6.024 [153.01]
HDC-S195-31XX-XXXX	195	7.250 [184.15]	6.950 [176.53]	6.400 [162.56]	6.524 [165.71]
HDC-S210-31XX-XXXX	210	7.750 [196.85]	7.450 [189.23]	6.900 [175.26]	7.024 [178.41]
HDC-S225-31XX-XXXX	225	8.250 [209.55]	7.950 [201.93]	7.400 [187.96]	7.524 [191.11]
HDC-S228-31XX-XXXX	228	8.350 [212.09]	8.050 [204.47]	7.500 [190.50]	7.624 [193.65]
HDC-S240-31XX-XXXX	240	8.750 [222.25]	8.450 [214.63]	7.900 [200.66]	8.024 [203.81]

Ordering Information

HDC - SXXX - X X XX - XXXX

Contact Quantity
See 3 or 4 Row Table

Row Quantity
3 = Three Row
4 = Four Row

Insulator Options
1 = Single bay insulator
2 = Dual bay insulator with center guide hole

Plating Options:
(See Plating Chart)

Plating Suffix	Plating Chart	
	Press-Fit Terminations	Solder Tail Terminations
TR	(RIA E2 & C2 apply)	(RIA E3 & C2 apply)
TG30	(RIA E2 & C2 apply)	(RIA E3 & C2 apply)
HS	(RIA E1 & C1 apply)	(RIA E1 & C1 apply)
MH	(RIA E1 & C1 apply)	(RIA E1 & C1 apply)

Plating Composition

3 μ" [0.08 μm] Min. Au over
7μ" [0.18 μm] PdNi area 1
100 μ" [2.54 μm] Min. Tin Lead area 4
50 μ" [1.27 μm] Min. Ni all over
30 μ" [0.76 μm] Min. Au Area 1
100 μ" [2.54 μm] Min. Whisker Mitigating
Reflowed Matte Tin on Area 4
50 μ" [1.27 μm] Min. Ni all over
3 μ" [0.08 μm] Min Au on Area 1
100 μ" [2.54 μm] Min. Whisker Mitigating
7 μ" [0.18 μm] PdNi on area 1
100 μ" [5.08 μm] Min. Whisker Mitigating
Reflowed Matte Tin on Area 4
50 μ" [1.27 μm] Min. Ni all over

Termination Style / Lead length - Dim. F

P1 - Press-fit Right Angle / 0.157" (4.00)
S1 - Solder Right Angle / 0.110" (2.79)
S2 - Solder Tail / 0.160" (4.06)

TS-1137-03
Sheet 3 of 7

3M™ HDC Socket

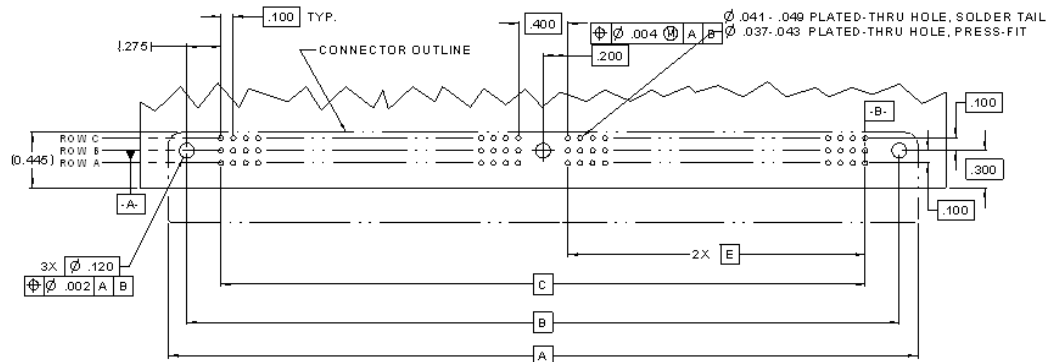
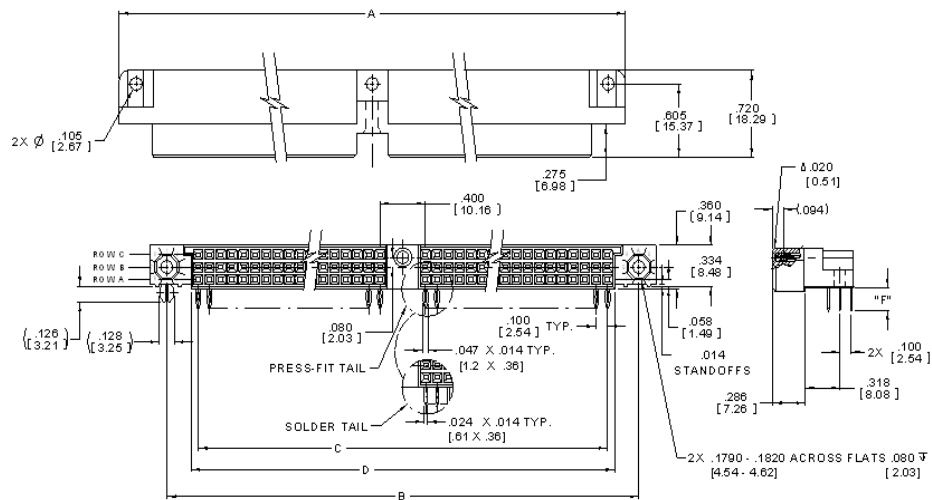
.100" Right Angle, PCB, 3 or 4-Row, Solder Tail or Press-Fit

HDC Series

3-Row Dual Bay

Product Table/Dimensions for 3-Row, Dual Bay

Description	Contact Quantity	A	B	C	D	E
HDC-S228-32XX-XXXX	228	8.650 [219.71]	8.350 [212.09]	7.800 [198.12]	7.924 [201.27]	3.700 [93.98]
HDC-S240-32XX-XXXX	240	9.050 [229.87]	8.750 [222.25]	8.200 [208.28]	8.324 [211.43]	3.900 [99.06]
HDC-S258-32XX-XXXX	258	9.650 [245.11]	9.350 [237.49]	8.800 [223.52]	8.924 [226.67]	4.200 [106.68]
HDC-S276-32XX-XXXX	276	10.250 [260.35]	9.950 [252.73]	9.400 [238.76]	9.524 [241.91]	4.500 [114.30]
HDC-S294-32XX-XXXX	294	10.850 [275.59]	10.550 [267.97]	10.000 [254.00]	10.124 [257.15]	4.800 [121.92]
HDC-S312-32XX-XXXX	312	11.450 [290.83]	11.150 [283.21]	10.600 [269.24]	10.724 [272.39]	5.100 [129.54]
HDC-S330-32XX-XXXX	330	12.050 [306.07]	11.750 [298.45]	11.200 [284.48]	11.324 [287.63]	5.400 [137.16]
HDC-S348-32XX-XXXX	348	12.650 [321.31]	12.350 [313.69]	11.800 [299.72]	11.924 [302.87]	5.700 [144.78]
HDC-S366-32XX-XXXX	366	13.250 [336.55]	12.950 [328.93]	12.400 [314.96]	12.524 [318.11]	6.000 [152.40]



RECOMMENDED P.C.B. HOLE PATTERN



TS-1137-03
Sheet 4 of 7

3M™ HDC Socket

.100" Right Angle, PCB, 3 or 4-Row, Solder Tail or Press-Fit

HDC Series

Product Table/Dimensions for 4 Row Socket Single Bay

Description	Total Positions	A	B	C	D
HDC-S060-41XX-XXXX	60	2.250 [57.15]	1.950 [49.53]	1.400 [35.56]	1.524 [38.71]
HDC-S076-41XX-XXXX	76	2.650 [67.31]	2.350 [59.69]	1.800 [45.72]	1.924 [48.87]
HDC-S080-41XX-XXXX	80	2.750 [69.85]	2.450 [62.23]	1.900 [48.26]	2.024 [51.41]
HDC-S100-41XX-XXXX	100	3.250 [82.55]	2.950 [74.93]	2.400 [60.96]	2.524 [64.11]
HDC-S120-41XX-XXXX	120	3.750 [95.25]	3.450 [87.63]	2.900 [73.66]	3.024 [76.81]
HDC-S128-41XX-XXXX	128	3.950 [100.33]	3.650 [92.71]	3.100 [78.74]	3.224 [81.89]
HDC-S140-41XX-XXXX	140	4.250 [107.95]	3.950 [100.33]	3.400 [86.36]	3.524 [89.51]
HDC-S160-41XX-XXXX	160	4.750 [120.65]	4.450 [113.03]	3.900 [99.06]	4.024 [102.21]
HDC-S168-41XX-XXXX	168	4.950 [125.73]	4.650 [118.11]	4.100 [104.14]	4.224 [107.29]
HDC-S180-41XX-XXXX	180	5.250 [133.35]	4.950 [125.73]	4.400 [111.76]	4.524 [114.91]
HDC-S200-41XX-XXXX	200	5.750 [146.05]	5.450 [138.43]	4.900 [124.46]	5.024 [127.61]
HDC-S216-41XX-XXXX	216	6.150 [156.21]	5.850 [148.59]	5.300 [134.62]	5.424 [137.77]
HDC-S220-41XX-XXXX	220	6.250 [158.75]	5.950 [151.13]	5.400 [137.16]	5.524 [140.31]
HDC-S240-41XX-XXXX	240	6.750 [171.45]	6.450 [163.83]	5.900 [149.86]	6.024 [153.01]
HDC-S260-41XX-XXXX	260	7.250 [184.15]	6.950 [176.53]	6.400 [162.56]	6.524 [165.71]
HDC-S280-41XX-XXXX	280	7.750 [196.85]	7.450 [189.23]	6.900 [175.26]	7.024 [178.41]
HDC-S300-41XX-XXXX	300	8.250 [209.55]	7.950 [201.93]	7.400 [187.96]	7.524 [191.11]
HDC-S320-41XX-XXXX	320	8.750 [222.25]	8.450 [214.63]	7.900 [200.66]	8.024 [203.81]

Product Table/Dimensions for 4-Row Socket, Dual Bay

Description	Contact Quantity	A	B	C	D	E
HDC-S320-42XX-XXXX	320	9.050 [229.87]	8.750 [222.25]	8.200 [208.28]	8.324 [211.43]	3.900 [99.06]
HDC-S344-42XX-XXXX	344	9.650 [245.11]	9.350 [237.49]	8.800 [223.52]	8.924 [226.67]	4.200 [106.68]
HDC-S352-42XX-XXXX	352	9.850 [250.19]	9.550 [242.57]	9.000 [228.60]	9.124 [231.75]	4.300 [109.22]
HDC-S360-42XX-XXXX	360	10.050 [255.27]	9.750 [247.65]	9.200 [233.68]	9.324 [236.83]	4.400 [111.76]
HDC-S368-42XX-XXXX	368	10.250 [260.35]	9.950 [252.73]	9.400 [238.76]	9.524 [241.91]	4.500 [114.30]
HDC-S392-42XX-XXXX	392	10.850 [275.59]	10.550 [267.97]	10.000 [254.00]	10.124 [257.15]	4.800 [121.92]
HDC-S416-42XX-XXXX	416	11.450 [290.83]	11.150 [283.21]	10.600 [269.24]	10.724 [272.39]	5.100 [129.54]
HDC-S440-42XX-XXXX	440	12.050 [306.07]	11.750 [298.45]	11.200 [284.48]	11.324 [287.63]	5.400 [137.16]
HDC-S464-42XX-XXXX	464	12.650 [321.31]	12.350 [313.69]	11.800 [299.72]	11.924 [302.87]	5.700 [144.78]
HDC-S488-42XX-XXXX	488	13.250 [336.55]	12.950 [328.93]	12.400 [314.96]	12.524 [318.11]	6.000 [152.40]

TS-1137-03
Sheet 6 of 7

Regulatory Information Appendix

3M Electronic Solutions Division/Interconnect

EUROPE

Appendix E1: European Union RoHS

Directive 2002/95/EC, Restriction of the Use of Certain Hazardous Substances in Electrical & Electronic Equipment, as amended by EU Commission Decision 2005/618/EC.

This product is RoHS Compliant 2005/95/EC.

“RoHS Compliant 2005/95/EC” means that the product or part (“Product”) does not contain any of the substances in excess of the maximum concentration values in EU Directive 2002/95/EC, as amended by Commission Decision 2005/618/EC, unless the substance is in an application that is exempt under EU RoHS. Unless otherwise stated by 3M in writing, this information represents 3M’s best knowledge and belief based upon information provided by third party suppliers to 3M.

In the event any product is proven not to conform with 3M’s Regulatory Information Appendix, then 3M’s entire liability and Buyer’s exclusive remedy will be in accordance with the Warranty stated below.

Appendix E2: European Union RoHS

Directive 2002/95/EC, Restriction of the Use of Certain Hazardous Substances in Electrical & Electronic Equipment, as amended by EU Commission Decision 2005/618/EC.

This product contains lead in the compliant pin area in excess of the maximum concentration value allowed but is compliant by exemption under EU Commission Decision 2005/747/EC.

“RoHS Compliant 2005/95/EC” means that the product or part (“Product”) does not contain any of the substances in excess of the maximum concentration values in EU Directive 2002/95/EC, as amended by Commission Decision 2005/618/EC, unless the substance is in an application that is exempt under EU RoHS. Unless otherwise stated by 3M in writing, this information represents 3M’s best knowledge and belief based upon information provided by third party suppliers to 3M.

In the event any product is proven not to conform with 3M’s Regulatory Information Appendix, then 3M’s entire liability and Buyer’s exclusive remedy will be in accordance with the Warranty stated below.

Appendix E3: European Union RoHS

Directive 2002/95/EC, Restriction of the Use of Certain Hazardous Substances in Electrical & Electronic Equipment as amended by Commission Decision 2005/618/EC.

This product contains lead in the solder tail area in excess of the maximum concentration value allowed.

Unless otherwise stated by 3M in writing, this information represents 3M’s best knowledge and belief based upon information provided by third party suppliers to 3M.

In the event any product is proven not to conform with 3M’s Regulatory Information Appendix, then 3M’s entire liability and Buyer’s exclusive remedy will be in accordance with the Warranty stated below.

Appendix E4: European Union RoHS

Directive 2002/95/EC, Restriction of the Use of Certain Hazardous Substances in Electrical & Electronic Equipment, as amended by EU Commission Decision 2005/618/EC.

This product contains decaBDE in the insulating material in excess of the maximum concentration value allowed but is compliant by exemption under EU Commission Decision 2005/17/EC.

“RoHS Compliant 2005/95/EC” means that the product or part (“Product”) does not contain any of the substances in excess of the maximum concentration values in EU Directive 2002/95/EC, as amended by Commission Decision 2005/618/EC, unless the substance is in an application that is exempt under EU RoHS. Unless otherwise stated by 3M in writing, this information represents 3M’s best knowledge and belief based upon information provided by third party suppliers to 3M.

In the event any product is proven not to conform with 3M’s Regulatory Information Appendix, then 3M’s entire liability and Buyer’s exclusive remedy will be in accordance with the Warranty stated below.



Appendix C1: China RoHS

Electronic Industry Standard of the People's Republic of China, SJ/T11363-2006, Requirements for Concentration Limits for Certain Hazardous Substances in Electronic Information Products.

This symbol, per Marking for the Control of Pollution Caused by Electronic Information Products, SJ/T11364-2006, means that the product or part **does not** contain any of the following substances in excess of the following maximum concentration values in any homogeneous material: (a) 0.1% (by weight) for lead, mercury, hexavalent chromium, polybrominated biphenyls or polybrominated diphenyl ethers; or (b) 0.01% (by weight) for cadmium. Unless otherwise stated by 3M in writing, this information represents 3M's best knowledge and belief based upon information provided by third party suppliers to 3M.

In the event any product is proven not to conform with 3M's Regulatory Information Appendix, then 3M's entire liability and Buyer's exclusive remedy will be in accordance with the Warranty stated below.



Appendix C2: China RoHS

Electronic Industry Standard of the People's Republic of China, SJ/T11363-2006, Requirements for Concentration Limits for Certain Hazardous Substances in Electronic Information Products.

This symbol, per Marking for the Control of Pollution Caused by Electronic Information Products, SJ/T11364-2006, means that the product or part **does** contain a substance, as detailed in the chart below, in excess of the following maximum concentration values in any homogeneous material: (a) 0.1% (by weight) for lead, mercury, hexavalent chromium, polybrominated biphenyls or polybrominated diphenyl ethers; or (b) 0.01% (by weight) for cadmium. Unless otherwise stated by 3M in writing, this information represents 3M's best knowledge and belief based upon information provided by third party suppliers to 3M.

The numerical reference in the symbol above should not be construed as a representation regarding the product's life or an extension of a product warranty. The product warranty is stated below. In the event any product is proven not to conform with 3M's Regulatory Information Appendix, then 3M's entire liability and Buyer's exclusive remedy will be in accordance with the product Warranty stated below.

产品中有毒有害物质或元素的名称及含量 Name and Content of Hazardous Substances or Elements

部件名称 (Part or Component Name)	有毒有害物质或元素 (Hazardous Substances or Elements)					
	铅 (Pb)	汞 (Hg)	镉 (Cd)	六价铬 (Cr(VI))	多溴联苯 (PBB)	多溴二苯醚 (PBDE)
端子镀层 (contact plating)	×	○	○	○	○	○
○: 表示该有毒有害物质在该部件所有均质材料中的含量均在SJ/T11363-2006 标准规定的限量要求以下。(Indicates that this hazardous substance contained in all of the homogeneous materials for this part is below the limit requirement in SJ/T11363-2006.)						
×: 表示该有毒有害物质至少在该部件的某一均质材料中的含量超出SJ/T11363-2006 标准规定的限量要求。(Indicates that this hazardous substance contained in at least one of the homogeneous materials used for this part is above the limit requirement in SJ/T11363-2006.)						

Important Notice

All statements, technical information, and recommendations related to 3M's products are based on information believed to be reliable, but the accuracy or completeness is not guaranteed. Before using this product, you must evaluate it and determine if it is suitable for your intended application. You assume all risks and liability associated with such use. Any statements related to the product which are not contained in 3M's current publications, or any contrary statements contained on your purchase order shall have no force or effect unless expressly agreed upon, in writing, by an authorized officer of 3M.

Warranty; Limited Remedy; Limited Liability.

This product will be free from defects in material and manufacture for a period of ninety (90) days from the time of purchase. **3M MAKES NO OTHER WARRANTIES INCLUDING, BUT NOT LIMITED TO, ANY IMPLIED WARRANTY OF MERCHANTABILITY OR FITNESS FOR A PARTICULAR PURPOSE.** If this product is defective within the warranty period stated above, your exclusive remedy shall be, at 3M's option, to replace or repair the 3M product or refund the purchase price of the 3M product. **Except where prohibited by law, 3M will not be liable for any indirect, special, incidental or consequential loss or damage arising from this 3M product, regardless of the legal theory asserted.**



Electronic Solutions Division

6801 River Place Blvd.
Austin, TX 78726-9000
800/225-5373
www.3M.com/interconnects